

PHOTOVOLTAIC MOSFET DRIVER

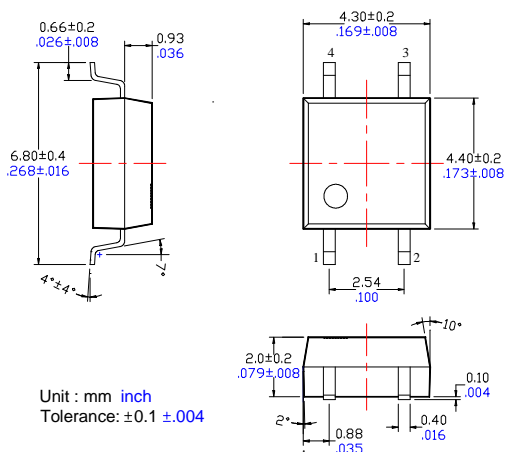
Features

- SOP package 4 Pin type in miniature design (4.4×4.3×2.0mm / .173×.169×.083inch)
- High-speed switching
- 2500Vrms Input/Output isolation
- Tape & Reel version available

Applications

- MOSFET driver
Power supply (Vcc) for electronic circuits

Outline Dimensions



1. LED Anode
2. LED Cathode
3. Cathode
4. Anode

PHOTOVOLTAIC MOSFET DRIVER**Part Name: LTP-1G3**

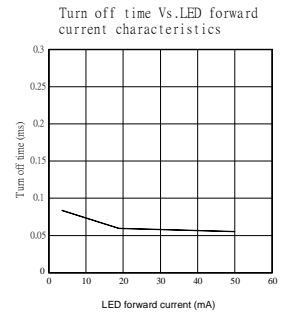
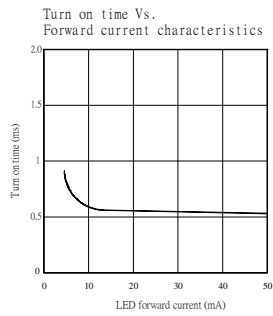
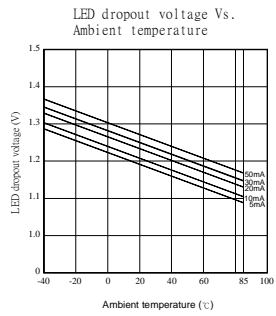
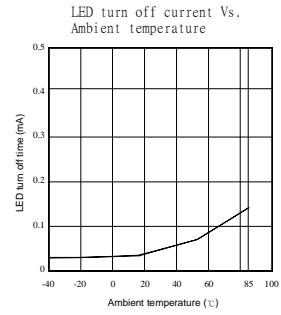
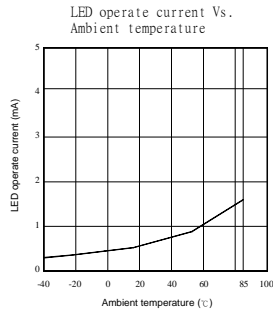
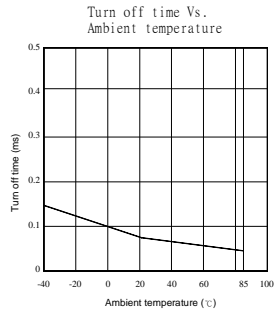
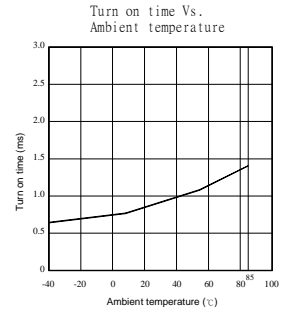
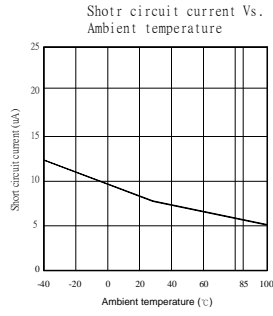
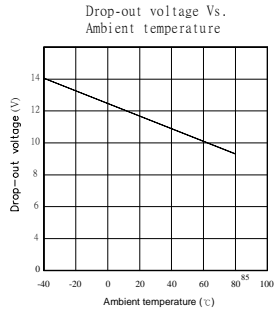
Absolute Maximum Ratings (Ambient Temperature: 25°C)

Item	Symbol	Value	Units	Note
Input	Continuous LED Current	I _F	50	mA
	Peak LED Current	I _{FP}	1000	mA f=100Hz, duty=1%
	LED Reverse Voltage	V _R	5	V
	Input Power Dissipation	P _{In}	75	mW
I/O Breakdown Voltage	V _{I/O}	2500	V _{rms}	RH=60%, 1min
Operating Temperature	T _{Opr}	-40 to +85	°C	
Storage Temperature	T _{Stg}	-40 to +100	°C	

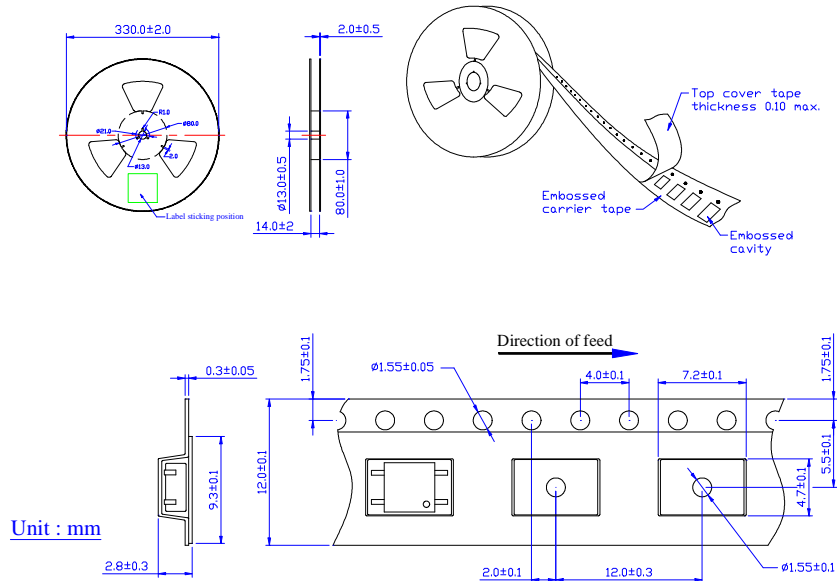
Electrical Specifications (Ambient Temperature: 25°C)

Item	Symbol	MIN.	TYP.	MAX.	Units	Conditions
Input	LED Forward Voltage	V _F	1.2	1.4	V	I _F =10mA
	Operation LED Current	I _{F On}	0.5	3.0	mA	V _{oc} =5V
	Recovery LED Current	I _{F Off}	0.35	0.5	mA	V _{oc} =1V
Output	Drop-out Voltage	V _{oc}	10	12	V	I _F =10mA
	Short Circuit Current	I _{sc}	1	8	uA	I _F =10mA
Transmis sion	Turn-On Time	T _{On}	0.23		ms	I _F =10mA
	Turn-Off Time	T _{of}	0.03		ms	C _L =1000pF
Coupled	I/O Isolation Resistance	R _{I/O}	10 ¹⁰		Ω	DC500V
	I/O Capacitance	C _{I/O}	0.8	1.5	pF	f=1MHz

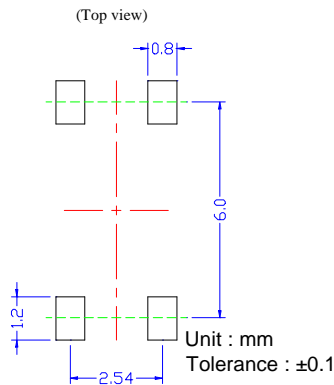
Reference Data



Taping Specifications for Surface Mount Devices

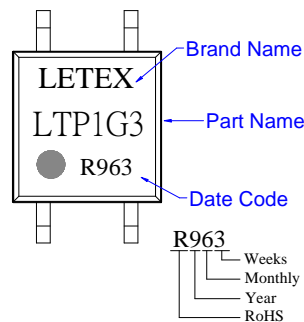


Recommended Mounting Pad



Marking

(Each photo MOS Relay shall be marked with the following information)



- Note:
1. There shall be leader of 230 mm minimum which may consist of carrier and or cover tape follower by a minimum of 160 mm of carrier tape sealed with cover tape.
 2. There shall be a minimum of 160 mm of empty component pockets sealed with cover tape.
 3. Devices are pockets in accordance with EIA standard EIA-481-A and specifications given above.
 4. Packaging: 2,000pcs per reel, 2 reel per box, 5 boxes per carton.