



T039 RESISTANCE WELDED PACKAGE

PRODUCT FEATURES

- Size $\phi 9.15 \times 3.3 \text{mm}$
- The optional frequency can be customized
- High transmit and receive sensitivity
- High temperature resistance and impact resistance
- Good power and reliability
- RoHS compliant

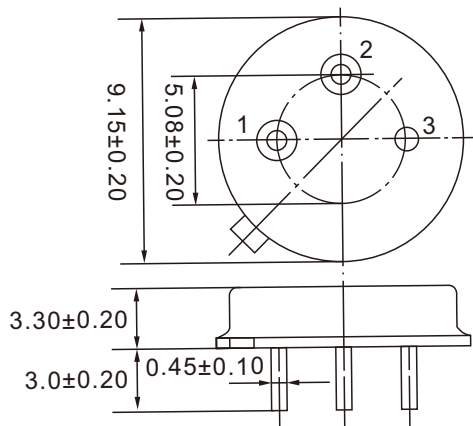
PRODUCT PHOTO



PRODUCT SPECIFICATIONS

| Item | | | Minimum | Typical | Maximum | Unit |
|---|--------------------------------------|--------------|--------------------------------------|-----------|---------|--------|
| Frequency Range | | f_c | 154~1000MHz | | | MHz |
| Standard Frequency | | | 315,330, 370,433.92,868,915 | | | MHz |
| Frequency Tolerance(at 25°C) | | Δf_c | $\pm 50, \pm 75, \pm 150$ or specify | | | KHz |
| Insertion Loss (in 50ohm system, min) | | IL | 1.0,1.3,1.4, 1.5 or specify | | | dB |
| Temperature Stability | Turnover Temperature | T_0 | 25 | 40 | 55 | °C |
| | Turnover Frequency | f_0 | | f_c | | |
| | Frequency Temperature Coefficient | FTC | | 0.032 | | ppm/°C |
| Frequency Aging | Absolute Value during the First Year | $ f_A $ | | ≤ 10 | | ppm/yr |
| DC Insulation Resistance between Any Two Pins | | | 1.0 | | | MΩ |
| Operating Temperature Range | | | -40~+85 | | | °C |
| Storage Temperature Range | | | -55~+125 | | | °C |

PACKAGE OUTLINE / DIMENSIONS



| Pin No. | Description |
|---------|---------------|
| 1 | Input/ Output |
| 2 | Output/ Input |
| 3 | Case Ground |