



## D11 RESISTANCE WELDED PACKAGE

### PRODUCT FEATURES

- Small size 8.4x3.5x2.9mm
- The optional frequency can be customized
- High transmit and receive sensitivity
- High temperature resistance and impact resistance
- Good power and reliability
- RoHS compliant

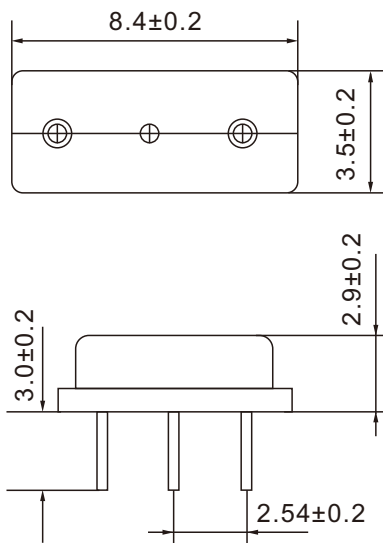
### PRODUCT PHOTO



### PRODUCT SPECIFICATIONS

Item			Minimum	Typical	Maximum	Unit
Frequency Range		$f_c$	154~1000MHz			MHz
Standard Frequency			315,330, 370,433.92,868,915			MHz
Frequency Tolerance(at 25°C)		$\Delta f_c$	$\pm 50, \pm 75, \pm 150$ or specify			KHz
Insertion Loss (in 50ohm system, min)		IL	1.0,1.3,1.4, 1.5 or specify			dB
Temperature Stability	Turnover Temperature	$T_0$	25	40	55	°C
	Turnover Frequency	$f_0$		$f_c$		
	Frequency Temperature Coefficient	FTC		0.032		ppm/°C
Frequency Aging	Absolute Value during the First Year	$ f_A $		$\leq 10$		ppm/yr
DC Insulation Resistance between Any Two Pins			1.0			MΩ
Operating Temperature Range			-40~+85			°C
Storage Temperature Range			-55~+125			°C

### PACKAGE OUTLINE / DIMENSIONS



Pin No.	Description
1	Input
3	Output
2	Case Ground