

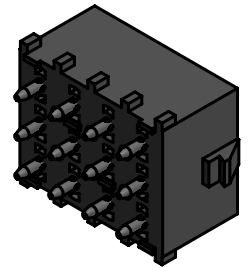
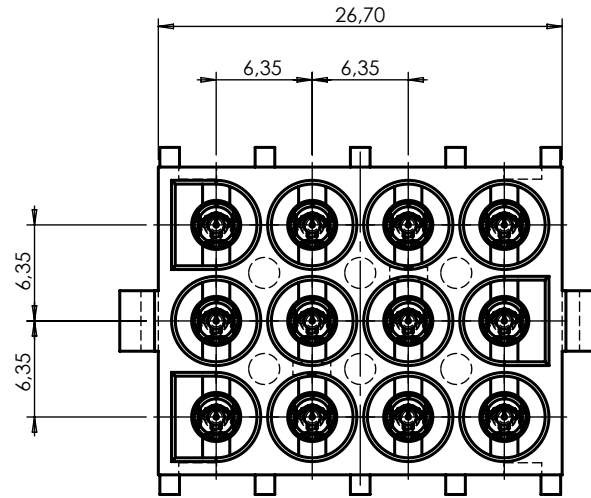
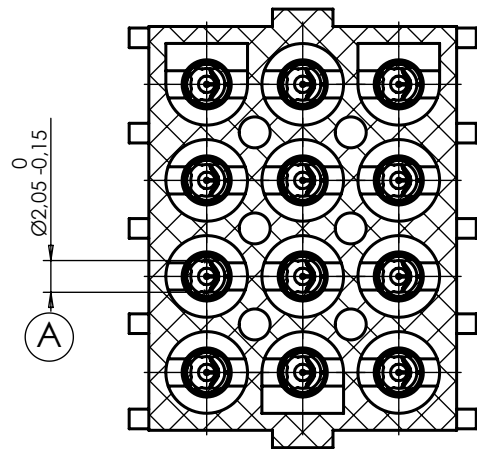
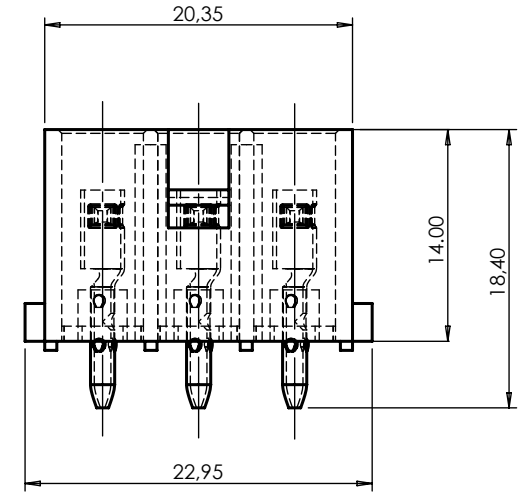
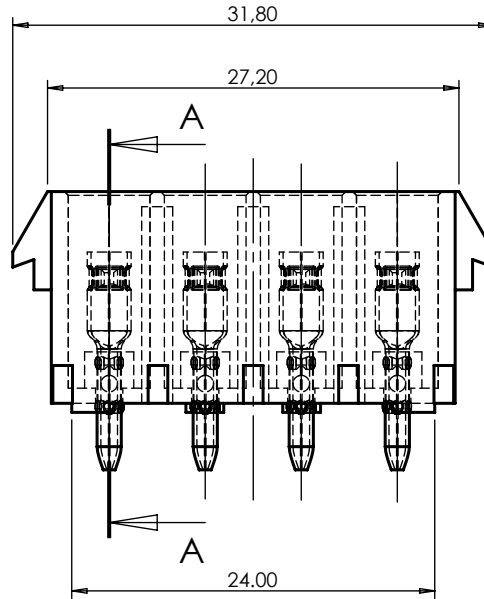
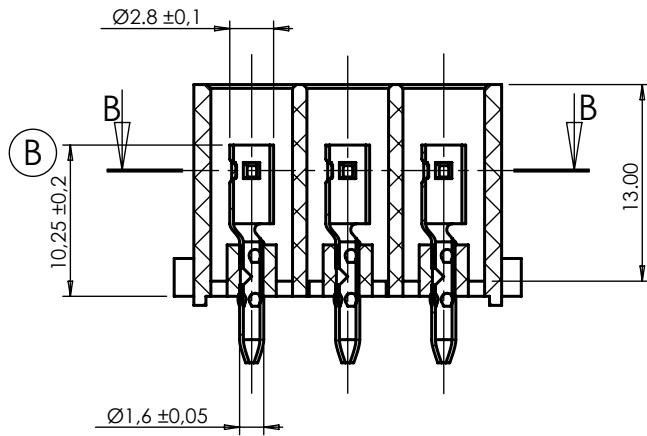
D

C

B

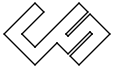
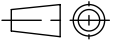
A

SEZIONE A-A



SEZIONE B-B

DIMENSIONS WITHOUT TOLERANCES			CS-LK12PCB/F	PA66 UL94 V-2
A ±2°	0 - 6	±0.1	CS-LK12PCB/FV0	PA6/66 UL94 V-0
	6 - 30	±0.2	CS-LK12PCB/FSTY	PA46 UL94 V-2
	> 30	±0.3	CS-LK12PCB/FV050NF	PA66 UL94 V-0 GWIT 775
			CS-LK12PCB/F-G	PA6 UL94 V-2 GWIT 775
			PART NUMBER	MATERIAL

1	Aggiornato cartiglio e aggiunto quote A e B	26-06-2019
INDEX	MODIFICATION	DATE
 <p>CS S.r.l. 20063 CERNUSCO S/N - VIA COMO, 11 TEL +39.02.9210.7404 - FAX +39.02.9210.0217 http://www.csconnectors.com - e-mail: info@csconnectors.com</p>		
CHECKED BY Stefano Galimberti		DATE 26-06-2019
DRAWN BY Luca Viscardi		DATE 26-06-2019
CAD REFER Y:\dis\cs\lk\12vie\pcb\	SIZE A4	SCALE 2:1
DESIGN UNITS METRIC	WEIGHT (g) 4.59	INDEX 0 12-03-2002
BASE CODE CS-LK12PCB/F	DESCRIPTION Giunto 12 vie per scheda circuito stampato term. femmina serie LK	