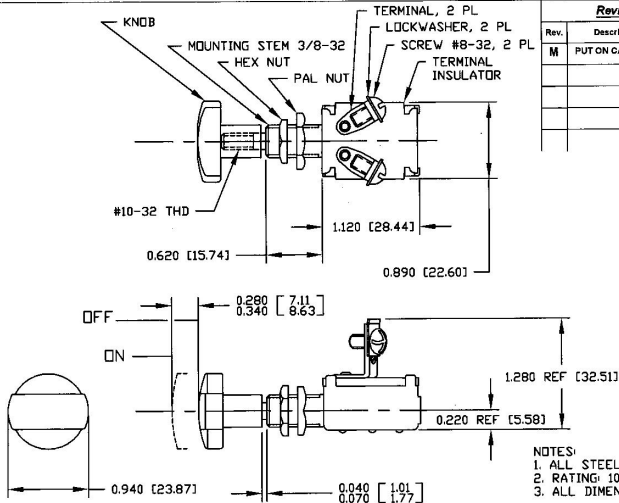


**Revision Control Record**

Rev.	Description of Change	ECN No.	Date
M	PUT ON CAD	N/A	9/15/00



- NOTES:
1. ALL STEEL PARTS PLATED
  2. RATING: 10 AMPS @ 12 VDC
  3. ALL DIMENSIONS REFERENCE ONLY

**Tolerances:** Unless otherwise specifically noted, the following are default tolerances:

- 2-place Decimal Dimensions ±.00"
- 3-place Decimal Dimensions ±.005"
- Angular Dimensions ±1.0 Deg
- Metric: Refer to equivalent English Dimension Tolerance
- >>> NOTE: All tolerances are Non-Cumulative. <<<

**Dimensional Units:** All dimensions are expressed in inches except those shown in brackets (xxx) are expressed in millimeters

"REF." or an Asterisk (\*) = Non-Toleranced Reference Dimension, shown for clarification purposes only.

**PROPRIETARY INFORMATION:** This Engineering Drawing, and the information contained herein, is proprietary to Cole Hersee Company and may not be disclosed, re-produced, or in any other way transmitted or communicated to any other party without the express written consent of an authorized representative of Cole Hersee Company.

**DESIGN CONTROL:** It is the responsibility of the individual using/ referencing this drawing to assure that the noted design revision level agrees with the revision level of the Controlled Document (Master Drawing). This is a NON-CONTROLLED DOCUMENT unless otherwise specifically noted.

**DO NOT SCALE:** Dimensional variation may occur during printing/ reproduction.

**Key for Special Characteristics:**

- ◆ Critical Characteristic, relating to Safety and/or Regulatory Compliance
- ⊗ Significant Characteristic relating to Process Control (SPC)
- ⊕ Control Dimension relating to Form - F1 - Function as defined by Cole Hersee Company and/or the Customer

(Note that the identification of any Characteristic as being "Special" does not alter the requirement that ALL specified dimensions & tolerances must be met.)

**Cole Hersee Co.**



20 Old Colony Ave., South Boston, MA, 02127  
 Phone: 617-268-2100 Web: www.colehersee.com

**Description:** SWITCH, PUSH-PULL

Drawing / Part No.:

5007

Current Rev.

M

Used On or Ref: Scale: **1:1**

Drawn By: **GP**

Date: **2/18/99**

Responsible Engineer: **N/A**

Pg. 1 of 1