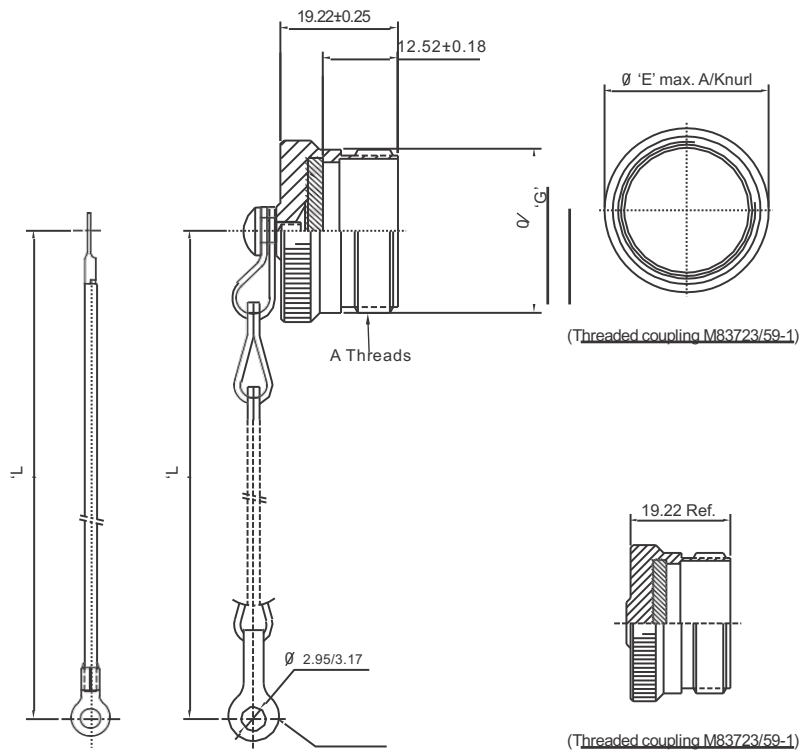


# MIL-DTL-83723/59-1 PLUG DUST CAP

## MIL-DTL-26500 Series III

| M83723/59-1                 | SHELL SIZE | FINISH                 | STYLE                           |
|-----------------------------|------------|------------------------|---------------------------------|
| Designated Receptacle Cover | 8          | W - Cadmium            | P - w/ Chain Length 8in + .25in |
|                             | 10         |                        | C - w/ Chain Length 5in + .25in |
|                             | 12         |                        |                                 |
|                             | 14         | R - Electroless Nickel |                                 |
|                             | 16         | A - Anodized Black     | R - w/ Rope Length 5in + .25in  |
|                             | 18         |                        | T - w/ Rope Length 8in + .25in  |
|                             | 20         |                        |                                 |
|                             | 22         | Z - Black Zinc Nickel  |                                 |
|                             | 24         | N - w/o Chain          |                                 |



| Shell Size | A Thread<br>UNEF-2A |           | C Ø Max. |       | G Ø Max. |      | Chain S/Assembly<br>L |    | SS Rope S/Assembly<br>L |    |
|------------|---------------------|-----------|----------|-------|----------|------|-----------------------|----|-------------------------|----|
|            | mm                  | in        | mm       | in    | mm       | in   | +6.35 -0.0            |    | +6.35 -0.0              |    |
|            |                     |           |          |       |          |      | mm                    | in | mm                      | in |
| 8          | 0.5625-24           | 0.02-0.94 | 19.71    | 0.78  | 14.25    | 0.56 | 127.0                 | 5  | 203.20                  | 8  |
| 10         | 0.6875-24           | 0.03-0.94 | 23.01    | 0.91  | 17.68    | 0.70 |                       |    |                         |    |
| 12         | 0.8750-20           | 0.03-0.79 | 27.38    | 1.078 | 22.23    | 0.88 |                       |    |                         |    |
| 14         | 0.9375-20           | 0.04-0.79 | 28.98    | 1.14  | 23.75    | 0.94 |                       |    |                         |    |
| 16         | 1.0625-18           | 0.04-0.71 | 32.16    | 1.27  | 26.97    | 1.06 |                       |    |                         |    |
| 18         | 1.1875-18           | 0.050.71  | 34.93    | 1.378 | 30.15    | 1.19 |                       |    |                         |    |
| 20         | 1.3125-18           | 0.050.71  | 38.35    | 1.51  | 33.32    | 1.31 |                       |    |                         |    |
| 22         | 1.4375-18           | 0.050.71  | 41.28    | 1.63  | 36.50    | 1.44 |                       |    |                         |    |
| 24         | 1.5625-18           | 0.060.71  | 44.70    | 1.76  | 39.67    | 1.56 |                       |    |                         |    |