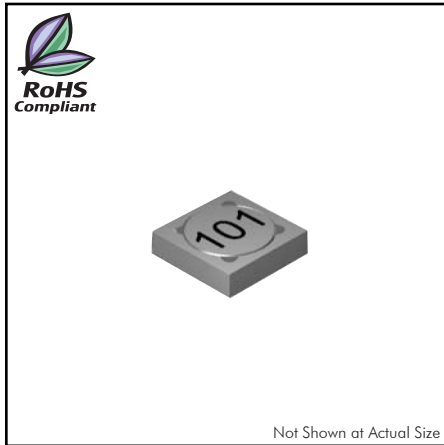


CTSD10F Series

From 0.68 μ H to 470 μ H



SPECIFICATIONS

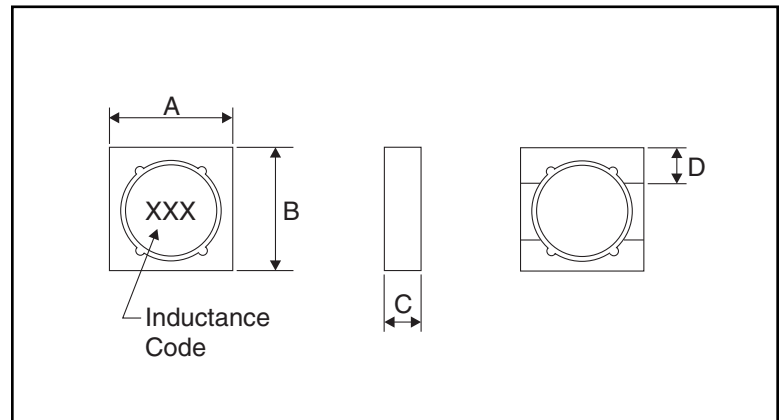
Parts are available in $\pm 20\%$ tolerance only.

*The IDC is that which causes a 30% inductance reduction from the initial value.

Part Number	Inductance (μ H $\pm 20\%$)	L Test Freq. (kHz)	DCR Typ. (Ω)	*IDC (A)
CTSD10F-R68M	0.68	100	0.0394	3.03
CTSD10F-1R0M	1.00	100	0.0560	2.25
CTSD10F-1R5M	1.50	100	0.0816	1.91
CTSD10F-2R2M	2.20	100	0.1140	1.65
CTSD10F-3R3M	3.30	100	0.1348	1.31
CTSD10F-4R7M	4.70	100	0.1919	1.08
CTSD10F-6R2M	6.20	100	0.2338	0.92
CTSD10F-8R2M	8.20	100	0.3259	0.80
CTSD10F-100M	10.0	100	0.3610	0.752
CTSD10F-150M	15.0	100	0.5536	0.605
CTSD10F-220M	22.0	100	0.8398	0.505
CTSD10F-330M	33.0	100	1.2259	0.420
CTSD10F-470M	47.0	100	1.8375	0.349
CTSD10F-680M	68.0	100	2.300	0.285
CTSD10F-820M	82.0	100	3.125	0.261
CTSD10F-101M	100	100	4.112	0.236
CTSD10F-151M	150	100	5.188	0.195
CTSD10F-221M	220	100	8.013	0.160
CTSD10F-331M	330	100	12.288	0.131
CTSD10F-471M	470	100	15.125	0.110

PHYSICAL DIMENSIONS

Size	A	B	C	D
	Max.	Max.	Max.	Typ.
mm	5.2	5.2	1.0	1.5
inches	0.205	0.205	0.039	0.059



CHARACTERISTICS

- Description:** SMD (shielded) power inductor
- Applications:** Digital cameras, CD players, cellular phones, PDAs, PCMCIA cards, GPS systems, etc.
- Operating Temperature:** -40°C to +85°C
- Storage Temperature:** -40°C to +125°C
- Inductance Tolerance:** $\pm 20\%$
- Testing:** Tested on an HP4285A at 100kHz
- Packaging:** Tape & Reel
- Marking:** Parts are marked with inductance code
- Miscellaneous:** RoHS Compliant
- Additional Information:** Additional electrical & physical information available upon request
- Samples available. See website for ordering information.**