

CTDSS1005F

Series

From 1.0µH to 3,300µH



SPECIFICATIONS

Part numbers indicate available inductance tolerance.

K = ±10%, L = ±15%, M = ±20%

*Temperature rise 45°C Max.

Part Number	Inductance (µH)	L Test Freq. (kHz)	Q Fact. Min.	Q Test Freq. (MHz)	SRF Norm. (MHz)	DCR Max. (Ω)	Rated DC (A)
CTDSS1005F-102M	1.0	1.0	23	7.96	140	.01	6.5*
CTDSS1005F-152M	1.5	1.0	24	7.96	100	.02	5.6*
CTDSS1005F-222M	2.2	1.0	25	7.96	90	.03	3.1
CTDSS1005F-302M	3.0	1.0	25	7.96	80	.03	2.9
CTDSS1005F-332M	3.3	1.0	24	7.96	70	.03	3.8*
CTDSS1005F-472M	4.7	1.0	25	7.96	50	.04	2.5
CTDSS1005F-682M	6.8	1.0	22	7.96	31	.05	2.8*
CTDSS1005F-702M	7.0	1.0	22	7.96	32	.06	2.2
CTDSS1005F-103M	10	1.0	48	2.52	30	.07	2.0
CTDSS1005F-123M	12	1.0	45	2.52	25	.08	1.8
CTDSS1005F-153M	15	1.0	40	2.52	20	.09	1.7
CTDSS1005F-183L	18	1.0	35	2.52	19	.09	1.6
CTDSS1005F-223L	22	1.0	42	2.52	18	.10	1.4
CTDSS1005F-273L	27	1.0	40	2.52	17	.12	1.3
CTDSS1005F-333L	33	1.0	40	2.52	15	.16	1.2
CTDSS1005F-393L	39	1.0	40	2.52	13	.18	1.1
CTDSS1005F-473L	47	1.0	35	2.52	12	.19	1.0
CTDSS1005F-563L	56	1.0	35	2.52	11	.21	0.9
CTDSS1005F-683L	68	1.0	35	2.52	9	.34	0.8
CTDSS1005F-823L	82	1.0	35	2.52	8	.38	0.8
CTDSS1005F-104K	100	1.0	35	.796	8	.42	0.7
CTDSS1005F-124K	120	1.0	30	.796	7	.46	0.6
CTDSS1005F-154K	150	1.0	28	.796	6	.52	0.6
CTDSS1005F-184K	180	1.0	28	.796	6	.70	0.5
CTDSS1005F-224K	220	1.0	30	.796	5	.80	0.5
CTDSS1005F-274K	270	1.0	30	.796	5	1.1	0.4
CTDSS1005F-334K	330	1.0	30	.796	5	1.2	0.4
CTDSS1005F-394K	390	1.0	25	.796	4	1.4	0.3
CTDSS1005F-474K	470	1.0	40	.796	3	1.6	0.3
CTDSS1005F-564K	560	1.0	40	.796	3	1.8	0.3
CTDSS1005F-684K	680	1.0	37	.796	3	2.3	0.3
CTDSS1005F-824K	820	1.0	37	.796	3	2.6	0.2
CTDSS1005F-105K	1000	1.0	65	.252	2	3.2	0.2
CTDSS1005F-125K	1200	1.0	58	.252	2	3.6	0.2
CTDSS1005F-155K	1500	1.0	53	.252	2	5.2	0.2
CTDSS1005F-185K	1800	1.0	65	.252	1	5.7	0.2
CTDSS1005F-225K	2200	1.0	55	.252	1	6.5	0.1
CTDSS1005F-275K	2700	1.0	55	.252	1	8.6	0.1
CTDSS1005F-335K	3300	1.0	50	.252	1	10	0.1

CHARACTERISTICS

Description: SMD (shielded) power inductor

Applications: Ideal for high performance DC/DC converter applications, computers, LCD displays and telecommunication equipment. Especially those requiring shielding and low profiles

Operating Temperature: -25°C to +105°C

Inductance Tolerances: ±10%, ±15%, ±20%

Testing: Inductance and Q are tested on a HP4284A or HP4285A at specified frequency

Packaging: Tape & Reel

Marking: Parts are marked with inductance code

Rated Current: Based on temp. rise & ΔL/L0A=10% Max.

Storage Temperature: 40°C Max. (*45°C Max.)

Resistance to Solder Heat: 260°C 10 sec

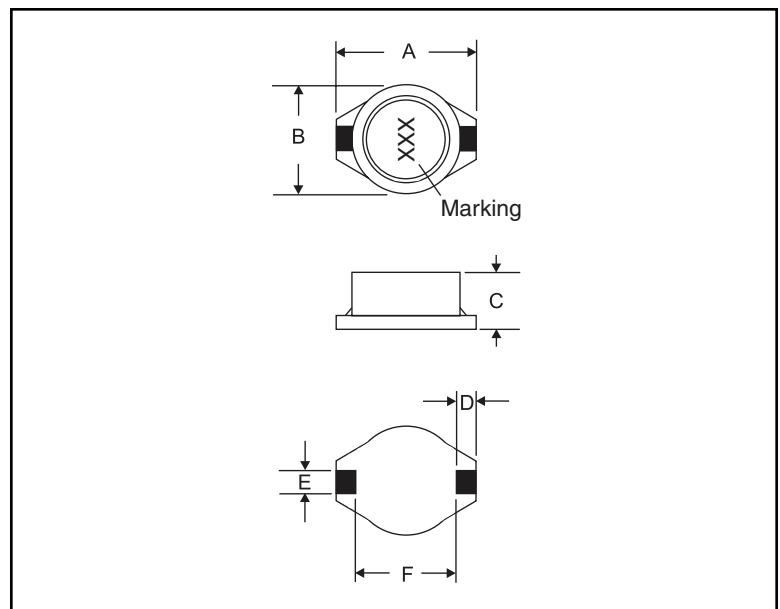
Miscellaneous: RoHS Compliant. Magnetically shielded

Additional Information: Additional electrical & physical information available upon request

Samples available. See website for ordering information.

PHYSICAL DIMENSIONS

Size	A	B	C	D	E	F
mm	12.7±0.2	10±0.2	4.9±0.2	2.4±0.2	2.5±0.2	7.6±0.3
inches	0.5±0.008	0.4±0.008	0.2±0.008	0.09±0.008	0.1±0.008	0.3±0.012



PAD LAYOUT

