

LED EMULATOR INPUT OPEN COLLECTOR OUTPUT ISOLATORS

FEATURES

Pin to pin compatible with popular High-Speed optocouplers

High data rates 10Mbps

High common-mode transient immunity: 50kV/ μ s typical

High robustness to radiated and conducted noise

Diode emulator input

4.5V-26.4V open collector output

Propagation delay 65ns

3750Vrms/5000Vrms for 1 minute per UL 1577

CSA Component Acceptance Notice 5A

DIN V VDE V 0884-11:2017-01

$V_{IORM} = 1200V$ peak

Wide temperature range: $-40^{\circ}C$ to $125^{\circ}C$

RoHS-compliant, DIP-8/NB SOIC-8 package

APPLICATIONS

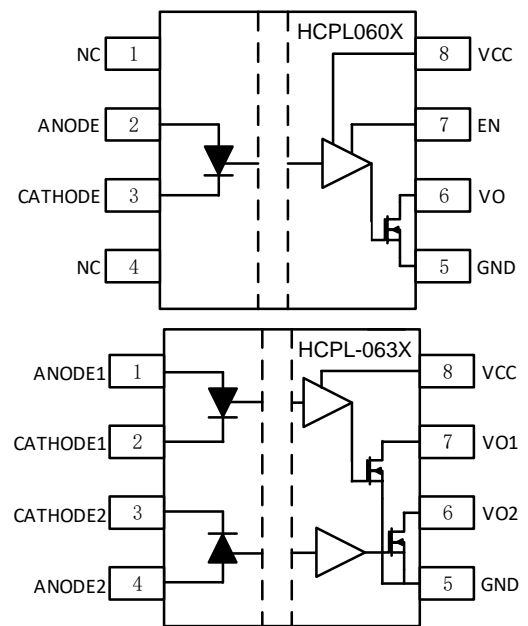
General-purpose isolation

Industrial field bus isolation

Motor controls and drives

EV traction inverters

FUNCTIONAL BLOCK DIAGRAMS



SOIC-8, DIP-8

Open Collector Output

Figure1. HCPL06XX/HCPL-063XXX
functional Block Diagram

SELECTION GUIDE

Table 1. Selection guide

Model Name ¹	Temperature Range	No. of channels	Data rate (Mbps)	Isolation Rating (kV rms)	Package
HCPL0602R2	-40~125°C	1	1	3750	NB SOIC-8
HCPL0601R2	-40~125°C	1	10	3750	NB SOIC-8
HCPL-0631-400E	-40~125°C	2	1	3750	NB SOIC-8
HCPL-0631-500E	-40~125°C	2	10	3750	NB SOIC-8
HCPL0602R3	-40~125°C	1	1	5000	DIP-8
HCPL0601R3	-40~125°C	1	10	5000	DIP-8
HCPL-0631-400C	-40~125°C	2	1	5000	DIP-8
HCPL-0631-500C	-40~125°C	2	10	5000	DIP-8

ABSOLUTE MAXIMUM RATINGS

T_A = 25°C, unless otherwise noted.

Table 2. Absolute Maximum Ratings

Parameter	Rating
INPUT	
Average forward current (I _F)	20mA
Reverse input voltage (V _R)	5 V (min)
Enable input voltage (V _E)	V _{DD} + 0.5 V
Input Power Dissipation (P _I)	90mW
OUTPUT	
Supply voltage (V _{DD})	27V
Output sink current (I _{SINK})	50mA
Output voltage (V _O)	27V
Output power dissipation (P _{diss})	50mW
ISOLATOR	
Total Power Dissipation (P _T)	140mW
HBM Rating ESD	±4KV
Maximum Isolation Voltage DIP-8	5000V _{RMS}
Maximum Isolation Voltage SO-8	3750V _{RMS}
Storage Temperature (T _{STG})	-65°C to +150°C
Operating Temperature (T _A)	-40°C to +125°C
Junction Temperature (T _J)	+150°C

RECOMMENDED OPERATING CONDITIONS

Table 3. Recommended Operating Conditions

Parameter	Symbol	Min	Typ	Max	Unit
Supply Voltage	V _{CC}	4.5		26.4	V
Input Current, low level each channel	I _{F(OFF)}	0		250	μA
Input Current, high level each channel	I _{F(ON)}	3		15	mA
Enable Voltage, Low Level	V _{EL}	0		0.8	V
Enable Voltage, High Level	V _{EH}	2		V _{DD}	V
Output Pull-up Resistor	RL	330		4k	Ω

Ambient Operating Temperature	T_A	-40	125	°C
-------------------------------	-------	-----	-----	----

Truth Tables

Table 4. HCPL060X/HCP-063XXXX Truth Table ¹

Input	V_{DD}	EN	VO ²
OFF	> UVLO	H	HIGH
OFF	> UVLO	L	HIGH
OFF	< UVLO	H	HIGH
OFF	< UVLO	L	HIGH
ON	> UVLO	H	LOW
ON	> UVLO	L	HIGH
ON	< UVLO	H	HIGH
ON	< UVLO	L	HIGH

Notes:

¹ The output voltage level is determined by the external pull-up supply.

SPECIFICATIONS

ELECTRICAL CHARACTERISTICS

Table 5. DC Specifications

$V_{CC} = 5\text{ V}$; $GND = 0\text{ V}$; $T_A = -40$ to $+125\text{ °C}$; typical specs at 25 °C ; unless otherwise noted.

Parameter	Symbol	Device	Min	Typ	Max	Unit	Test Conditions/Comments
Supply Voltage	V_{CC}		4.5		26.4	V	
Supply Current	I_{CC}	Single		0.7	2	mA	
		Dual		1.4	4		
Input Current Threshold	$I_{F(TH)}$			2.0	3	mA	
Input Forward Voltage (OFF)	$V_{F(OFF)}$			1.5	1.7	V	
Input Forward Voltage (ON)	$V_{F(ON)}$		1.8	2	2.2	V	
Logic Low Output Voltage	V_{OL}			0.25	0.6	V	$V_{CC} = 5.5\text{ V}$, $I_F = 5\text{ mA}$, $I_{OL}(\text{Sinking}) = 13\text{ mA}$
Logic High Output Current	I_{OH}				0.5	μA	
Peak Output Current	I_{OPK}			50		mA	
Enable High Min	V_{EH}	Single	2		V_{CC}	V	
Enable Low Max	V_{EL}	Single			0.8	V	
Enable High Current Draw	I_{EH}	Single		10		μA	
Enable Low Current Draw	I_{EL}	single		-100		μA	

Table 6. Switching Specifications

 VDCC= 5 V; GND = 0 V; RL = 350 Ω ; CL = 30 pF; TA = -40 to +125 $^{\circ}$ C; typical specs at 25 $^{\circ}$ C; TJ = -40 to +125 $^{\circ}$ C, unless otherwise noted.

Parameter		Symbol	Min	Typ	Max	Unit	Test Conditions/Comments
Maximum Data Rate	HCPL06XX/500X	F _{DATA}			10	Mbps	Within pulse width distortion (PWD) limit
	HCPL06XX/400X	F _{DATA}			1	Mbps	Within pulse width distortion (PWD) limit
Minimum Pulse Width		MPW	50			ns	Within PWD limit
Propagation Delay (Low-to-High)		t _{PLH}		40	60	ns	The different time between 50% input signal to 50% output signal 50% @ 5V _{DC} supply
Propagation Delay (High-to-Low)		t _{PHL}		40	60	ns	@ 5V _{DC} supply
Pulse Width Distortion		PWD		8	30	ns	The max different time between t _{PHL} and t _{PLH} @ 5V _{DC} supply. And The value is t _{PHL} - t _{PLH}
Propagation Delay Skew		t _{PSK(p-p)}			45	ns	@ 5V _{DC} supply
Rise Time		t _R		25	40	ns	The max different propagation delay time between any two devices at the same temperature, load and voltage @ 5V _{DC} supply
Fall Time		t _F		5	10	ns	@ 5V _{DC} supply
Device Startup Time		t _{START}		13	25	μ s	The max amount propagation delay time differs between any two output channels in the single device @ 5V _{DC} supply.
Propagation Delay Time of Enable from VEH to VEL		t _{ELH}		9	30	ns	VDD = 5 V, RL = 350 Ω , CL = 30 pF
Propagation Delay Time of Enable from VEL to VEH		t _{EHL}		13	30	ns	VDD = 5 V, RL = 350 Ω , CL = 30 pF
Common Mode Transient Immunity		CMTI	50			kV/ μ s	@ 5V _{DC} supply

INSULATION AND SAFETY RELATED SPECIFICATIONS
Table 7. Insulation Specifications

Parameter	Symbol	DIP-8	NB SOIC-8	Unit	Test Conditions/Comments
Rated Dielectric Insulation Voltage		5000	3750	V rms	1-minute duration
Minimum External Air Gap (Clearance)	L (CLR)	≥ 7.1	≥ 4	mm min	Measured from input terminals to output terminals, shortest distance through air
Minimum External Tracking (Creepage)	L (CRP)	≥ 7.4	≥ 4	mm min	Measured from input terminals to output terminals, shortest distance path along body
Minimum Internal Gap (Internal Clearance)		≥ 21	≥ 21	μ m min	Insulation distance through insulation
Tracking Resistance (Comparative Tracking Index)	CTI	>400	>400	V	DIN IEC 112/VDE 0303 Part 1
Material Group		II	II		Material Group (DIN VDE 0110, 1/89, Table 1)

PACKAGE CHARACTERISTICS
Table 8. Package Characteristics

Parameter	Symbol	Typical Value		Unit	Test Conditions/Comments
		DIP-8	NB SOIC-8		
Resistance (Input to Output) ¹	R _{I-O}	10 ¹¹	10 ¹¹	Ω	
Capacitance (Input to Output) ¹	C _{I-O}	0.6	0.6	pF	@1MHz
Input Capacitance ²	C _I	3	3	pF	@1MHz
IC Junction to Ambient Thermal Resistance	θ _{JA}	100	45	°C/W	Thermocouple located at center of package underside

Notes:

¹The device is considered a 2-terminal device; SOIC-8 Pin 1 - Pin 4(DIP-8 Pin 1-Pin4) are shorted together as the one terminal, and SOIC-8 Pin 5 - Pin 8(DIP-8 Pin 5-Pin8) are shorted together as the other terminal.

²Testing from the input signal pin to ground.

REGULATORY INFORMATION

See Table 9 and the Insulation Lifetime section for details regarding recommended maximum working voltages for specific cross isolation waveforms and insulation levels.

Table 9. Regulatory

Regulatory	DIP-8	NB SOIC-8
UL	Recognized under UL 1577	Recognized under UL 1577
	Component Recognition Program ¹	Component Recognition Program ¹
	Single Protection, 5000 V rms Isolation Voltage	Single Protection, 3750V rms Isolation Voltage
	File (pending)	File (pending)
VDE	DIN V VDE V 0884-11 (VDE V 0884-11):2017-01 ²	DIN V VDE V 0884-11 (VDE V 0884-11):2017-01 ²
	Basic insulation, V _{IORM} = 1200 V peak, V _{IOSM} = 6250 V peak	Basic insulation, V _{IORM} = 1200 V peak, V _{IOSM} = 6250 V peak
	File (pending)	File (pending)
CQC	Certified under	Certified under
	CQC11-471543-2012	CQC11-471543-2012
	GB4943.1-2011	GB4943.1-2011
	Basic insulation at 845 V rms (1200 V peak) working voltage	Basic insulation at 845 V rms (1200 V peak) working voltage
	Reinforced insulation at 422 V rms (600 V peak)	Reinforced insulation at 422 V rms (600 V peak)
	File (pending)	File (pending)

Notes:

¹ In accordance with UL 1577, SOP-8 is tested by applying an insulation test voltage ≥ 4500 V rms for 1 sec; DIP-8 is tested by applying an insulation test voltage ≥ 6000 V rms for 1 sec

² In accordance with DIN V VDE V 0884-10, SOP-8 is tested by applying an insulation test voltage ≥ 1800V peak for 1 sec (partial discharge detection limit = 5 pC); DIPP-8 is tested by ≥ 1800V peak for 1 sec.

DIN V VDE V 0884-11 (VDE V 0884-11) INSULATION CHARACTERISTICS

These isolators are suitable for reinforced electrical isolation only within the safety limit data. Protective circuits ensure the maintenance of the safety data. The * marking on packages denotes DIN V VDE V 0884-10 approval.

Table 10. VDE Insulation Characteristics

Description	Test Conditions/Comments	Symbol	Characteristic		Unit
			DIP-8	NB SOIC-8	
Installation Classification per DIN VDE 0110					
For Rated Mains Voltage ≤ 150 V rms			I to IV	I to IV	

For Rated Mains Voltage ≤ 300 V rms For Rated Mains Voltage ≤ 400 V rms			I to III I to III	I to III I to III	
Climatic Classification			40/105/21	40/105/21	
Pollution Degree per DIN VDE 0110, Table 1			2	2	
Maximum Working Insulation Voltage		V_{IORM}	1200	1200	V peak
Input to Output Test Voltage, Method B1	$V_{IORM} \times 1.5 = V_{pd(m)}$, 100% production test, $t_{ini} = t_m = 1$ sec, partial discharge < 5 pC	$V_{pd(m)}$	1800	1800	V peak
Input to Output Test Voltage, Method A					
After Environmental Tests Subgroup 1	$V_{IORM} \times 1.3 = V_{pd(m)}$, $t_{ini} = 60$ sec, $t_m = 10$ sec, partial discharge < 5 pC	$V_{pd(m)}$	1560	1560	V peak
After Input and/or Safety Test Subgroup 2 and Subgroup 3	$V_{IORM} \times 1.2 = V_{pd(m)}$, $t_{ini} = 60$ sec, $t_m = 10$ sec, partial discharge < 5 pC		1440	1440	V peak
Highest Allowable Overvoltage		V_{IOTM}	7071	5300	V peak
Surge Isolation Voltage	Basic insulation, 1.2 μ s rise time, 50 μ s, 50% fall time $V_{TEST} = 1.3 \times V_{IOSM}$ (qualification) ¹	V_{IOSM}	5000	5000	V peak
Safety Limiting Values	Maximum value allowed in the event of a failure				
Maximum Junction Temperature		T_S	150	150	$^{\circ}$ C
Total Power Dissipation at 25 $^{\circ}$ C		P_S	0.14	0.14	W
Insulation Resistance at T_S	$V_{IO} = 500$ V	R_S	$>10^9$	$>10^9$	Ω

Notes:

¹In accordance with DIN V VDE V 0884-11, [HCPL060X/HCP-063XXXX](#) is proof tested by applying a surge isolation voltage 6500 V.

TYPICAL CHARACTERISTIC

VCC=5V, 0.1 μ F capacitor from VCC to GND, TA = -40 $^{\circ}$ C to 125 $^{\circ}$ C (Unless otherwise noted).

Figure 2: Typical High Level Output Current vs. Temperature

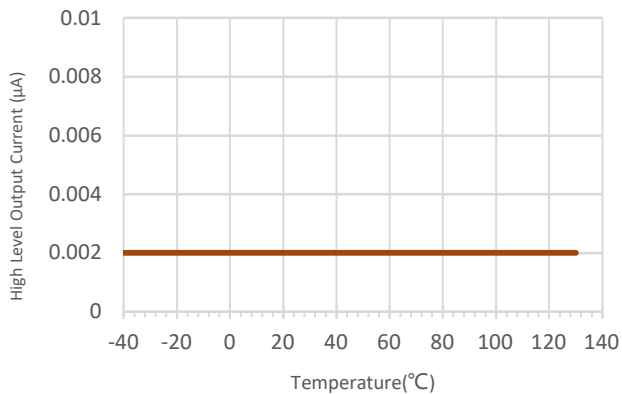


Figure 3: Typical Input Threshold Current vs. Temperature

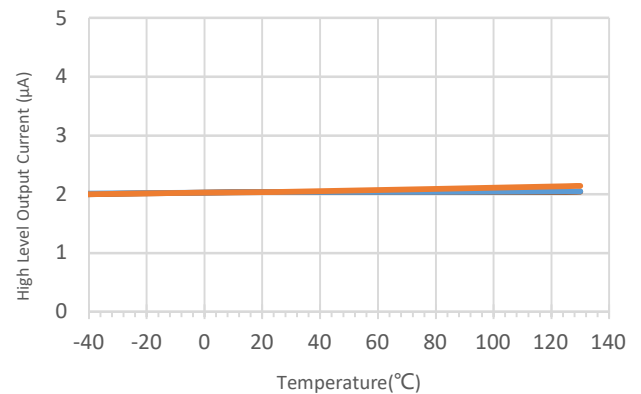


Figure 4: Typical Low Level Output Voltage vs. Temperature

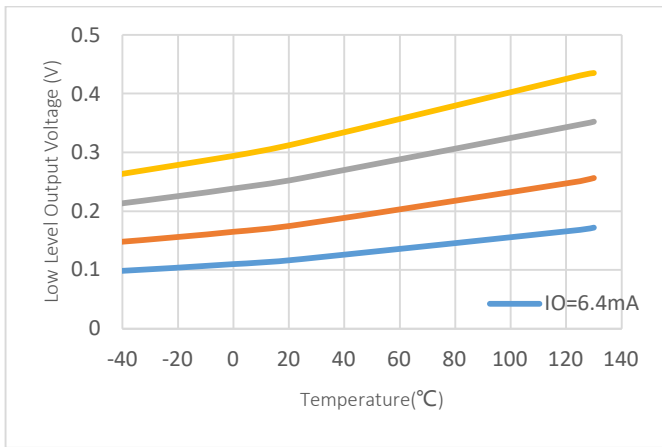


Figure 5: Typical Low Level Output Current vs. Temperature

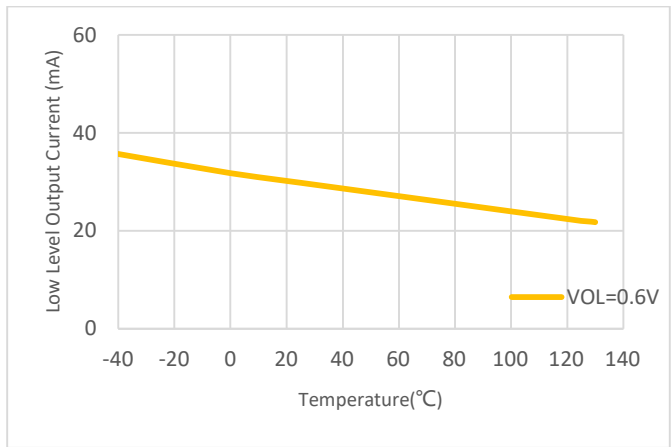


Figure 6: Typical Propagation Delay T_{PHL} vs. Temperature

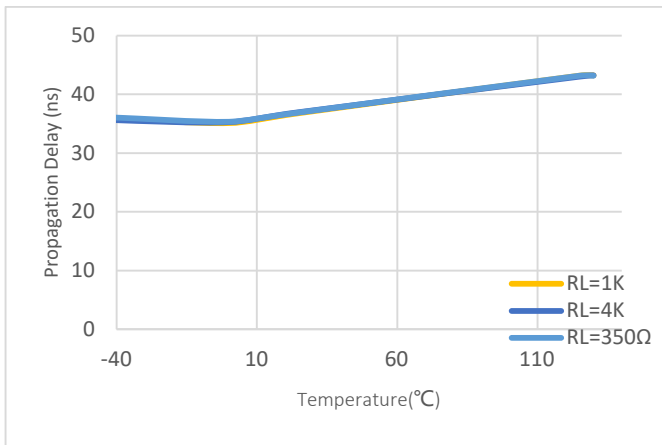


Figure 7: Typical Propagation Delay T_{PLH} vs. Temperature

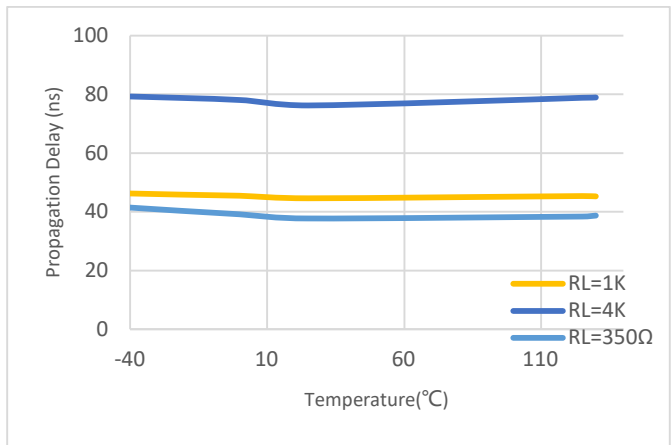


Figure 8: Typical Rise Time vs. Temperature

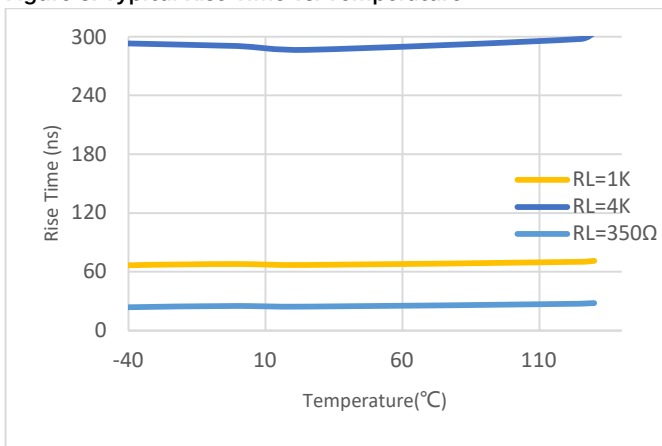


Figure 9: Typical Fall Time vs. Temperature

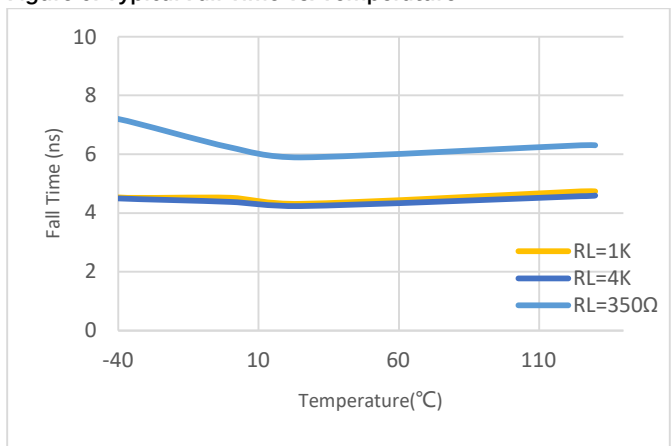


Figure 10: Enable Propagation Delay TEHL vs. Temperature

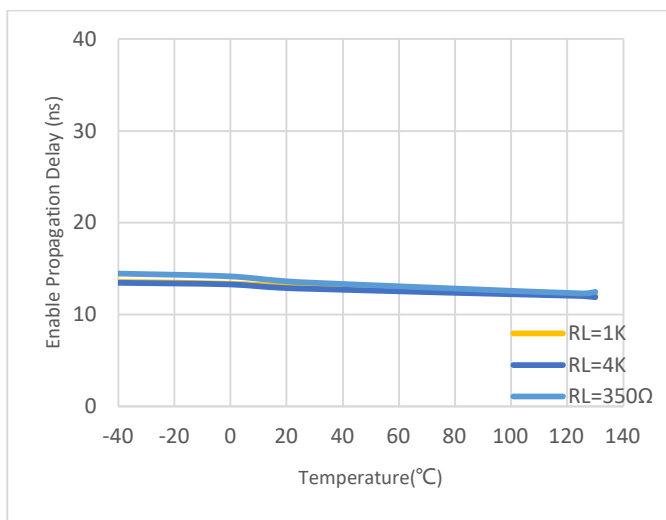


Figure 11: Enable Propagation Delay TELH vs. Temperature

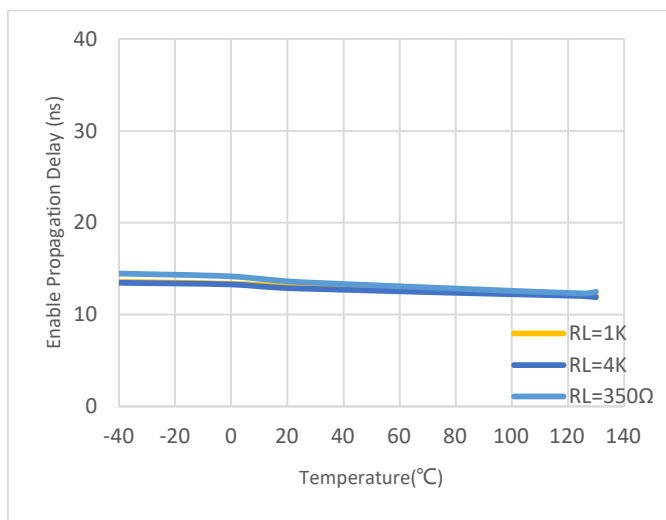


Figure 12: Typical Input Diode Forward Characteristic

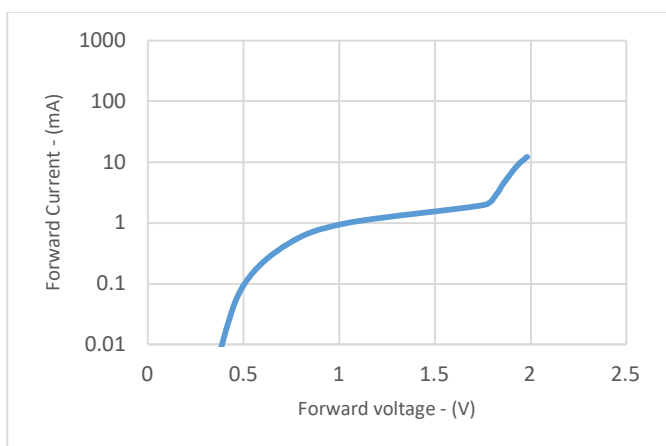
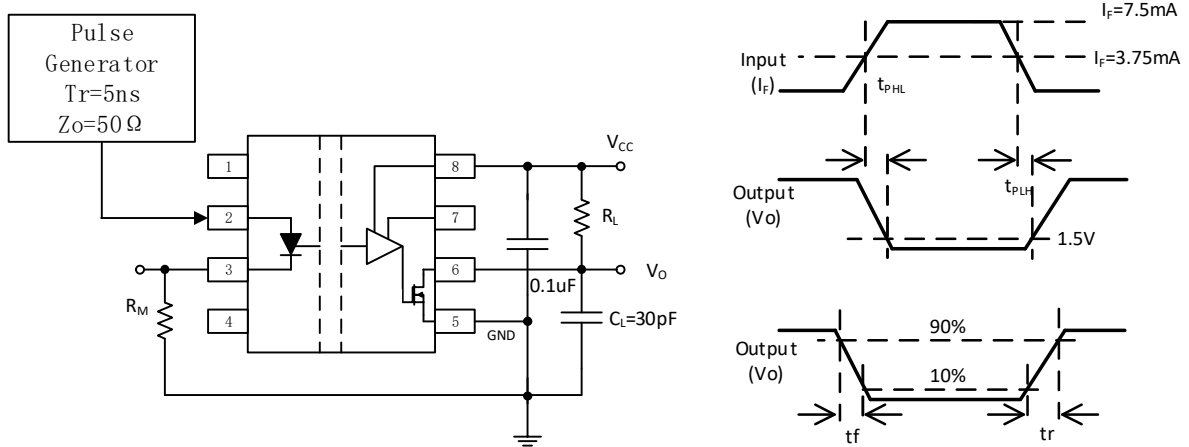
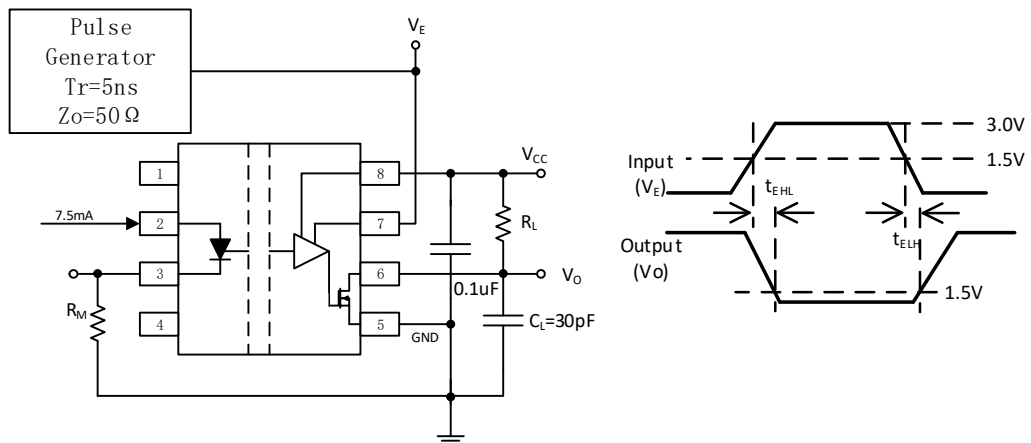
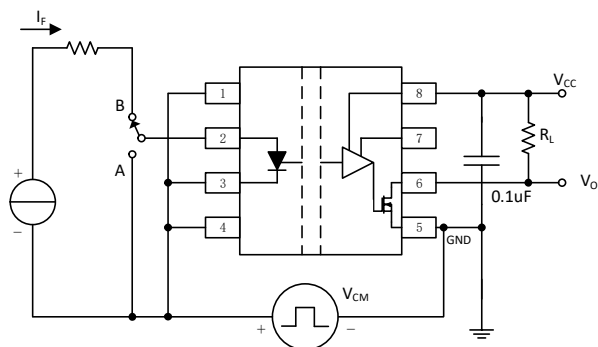


Fig. 13 Test circuit and waveforms for t_{PHL} , t_{PLH} , t_r , and t_f

Fig. 14 Test circuit and waveform for t_{EHL} and t_{ELH}

Fig. 15 Test circuit Common mode Transient Immunity


OUTLINE DIMENSIONS

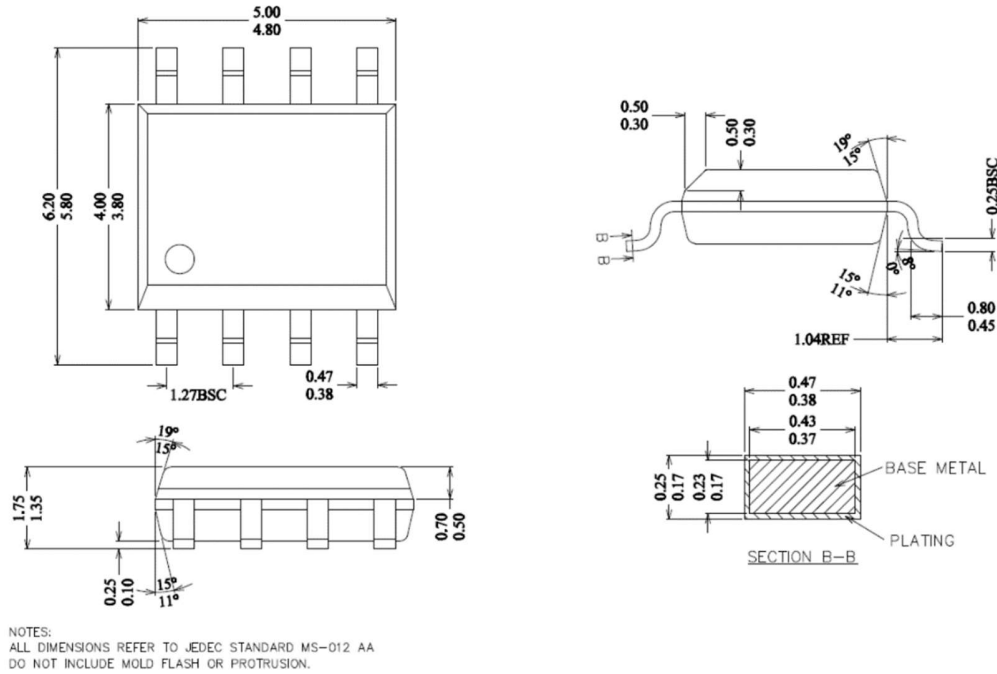
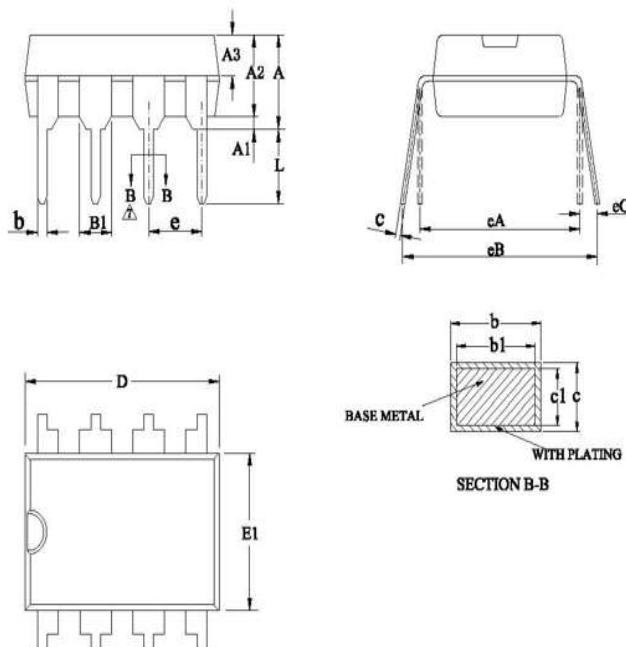


Figure15. 8-Lead Standard Small Outline Package [NB SOIC-8]

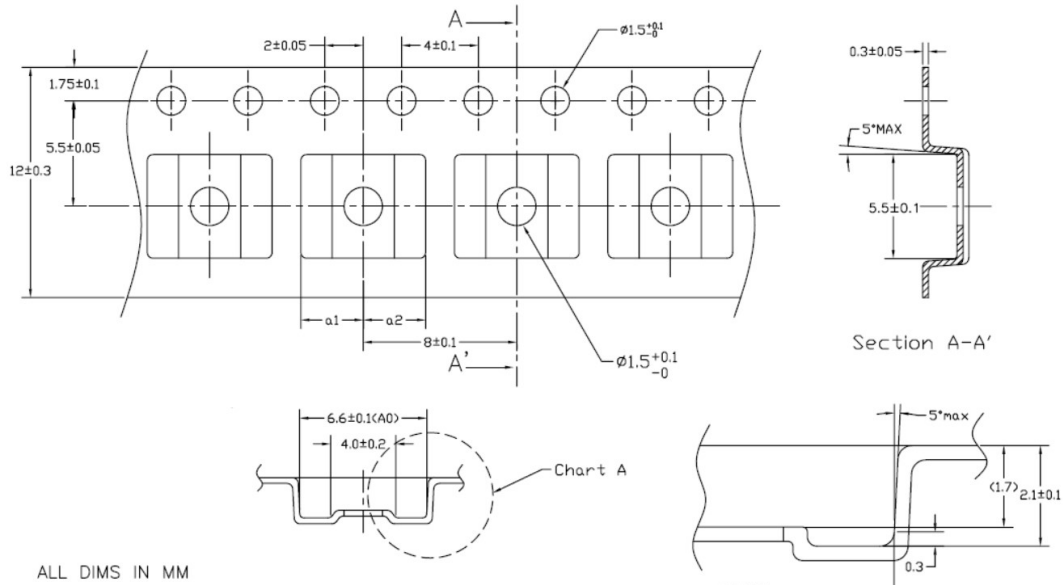


SYMBOL	MILLIMETER		
	MIN	NOM	MAX
A	3.60	3.80	4.00
A1	0.51	—	—
A2	3.20	3.30	3.40
A3	1.55	1.60	1.65
b	0.44	—	0.52
b1	0.43	0.46	0.49
B1	1.52REF		
c	0.25	—	0.29
c1	0.24	0.25	0.26
D	9.15	9.25	9.35
E1	6.25	6.35	6.45
e	2.54BSC		
eA	7.62REF		
eB	7.62	—	9.30
eC	0	—	0.84
L	3.00	—	—

Figure16. 8-Lead DIP Outline Package [DIP-8]

REEL INFORMATION

8-Lead SOIC_N



SELECTION GUIDE

Table 11. Ordering Guide

Model Name ¹	Temperature Range	Package	MSL Peak Temp ²	MOQ/Quantity per reel ³
HCPL0602R2	-40~125°C	NB SOIC-8	Level-2-260C-1 YEAR	2500
HCPL0601R2	-40~125°C	NB SOIC-8	Level-2-260C-1 YEAR	2500
HCPL-0631-400E	-40~125°C	NB SOIC-8	Level-2-260C-1 YEAR	2500
HCPL-0631-500E	-40~125°C	NB SOIC-8	Level-2-260C-1 YEAR	2500
HCPL0602R3	-40~125°C	DIP-8		2500
HCPL0601R3	-40~125°C	DIP-8		2500
HCPL-0631-400C	-40~125°C	DIP-8		2500
HCPL-0631-500C	-40~125°C	DIP-8		2500

1. MSL, Peak Temp. - The Moisture Sensitivity Level rating according to the JEDEC industry standard classifications, and peak solder temperature.

2. MOQ, minimum ordering quantity.