

RoHS

# Specification

## 规格书

Customer Name :

客户名称 :

Customer P/N :

客户品号 :

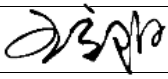
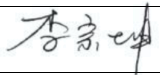

Factory P/N :

**HL-PSC-2012U32YC**

公司品号 :

Sending Date :

送样日期 :

|  |             |   |   |   |
|--|-------------|---|---|---|
| Client approval<br>客户审核  |             | Hongli approval<br>鸿利智汇审核   |   |   |
| Approval<br>核准   | Audit<br>确认 | Audit<br>确认   |   | Confirma-<br>tion<br>制作   |
|  |             | Sales department<br>营销中心  | Quality department<br>品质部   | Engineering technol-<br>ogy centre<br>工程技术中心  |
|  |             |  |  |   何剑飞 |
| <input type="checkbox"/> Qualified 接受<br><input type="checkbox"/> Disqualified 不接受 |             | DATE:<br>日期 :   |   |   |

Adr : No.1,Xianke Yi Road,Huadong Town,Huadu District,Guangzhou,China

地址 : 中国广州市花都区花东镇先科一路1号

Tel/电话 : 020-86733333

Fax/传真 : 020-86733883 86733938 86733265

Web/网址 : www.honglitronic.com

注:1. 此规格书以中英文方式书写,若有冲突以中文版本为准.

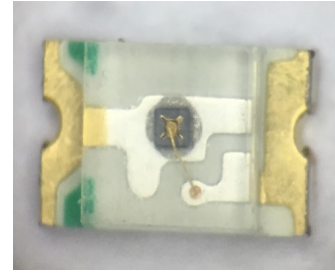
2. 此规格书的最终解释权归鸿利智汇集团股份有限公司

3. 此规格书的有效期限为两年,自盖章或签字之日起计算,期满时双方可以续签协议,但应采用书面形式

# HL-PSC-2012U32YC

## Features( 特征)

- Extremely wide viewing angle. ( 宽的发光角度)
- Suitable for all SMT assembly and solder process. ( 适用于所有的SMT组装和焊接工艺)
- Available on tape and reel. ( 适用于载带及卷轴)
- Moisture sensitivity level: Level 4. ( 防潮等级 Level 4)
- Package:4000pcs/reel.(包装每卷4000PCS)
- RoHS compliant. (RoHS 认证)



## Description ( 描述)

The Yellow source color devices are made with AlGaInP on Substrate Light Emitting Diode

黄光LED由AlGaInP四种元素芯片激发而成

After the product life cycle for recycling  
产品生命周期后进行回收处理



**ATTENTION**  
OBSERVE PRECAUTIONS  
FOR HANDLING  
ELECTROSTATIC  
DISCHARGE  
SENSITIVE  
DEVICES

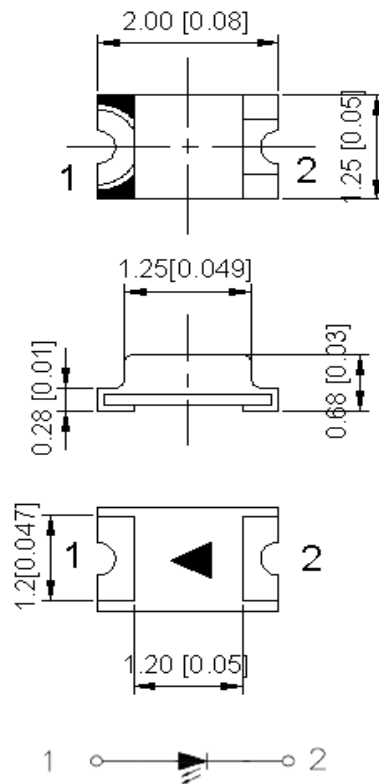
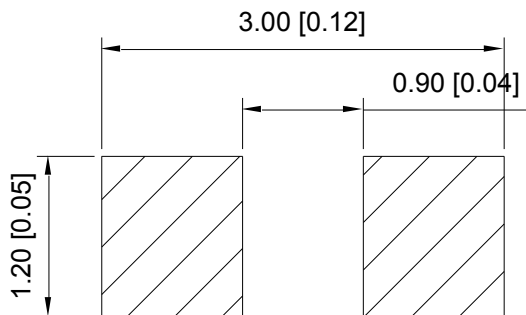
注意：操作时应注意静电敏感  
释放设备装置

## Package Dimensions ( 封装尺寸)

## Applications ( 应用)

- Optical indicator ( 光学指示)
- Indoor display ( 室内显示)
- Backlight for LCD, switch and Symbol, display  
(LCD背光、转换器，开关和标志，显示器等)
- General use ( 一般应用)

## Recommended Soldering Pattern ( 建议焊盘尺寸图)



Notes: ( 备注)

1. Mark the size of the unit is mm.marked in brackets ( 标注尺寸单位为毫米,括号内标注为英寸)
2. All dimensions allow tolerance  $\pm 0.1\text{mm}$  ( 所有尺寸允许公差 $\pm 0.1\text{mm}$  )

## HL-PSC-2012U32YC

### Selection Guide (选择指南)

| Part No. 型号      | Dice                | Lens Type<br>胶体类型 | Luminous intensity(mcd)<br>光强@ 20mA |     | Viewing Angle<br>角度 |
|------------------|---------------------|-------------------|-------------------------------------|-----|---------------------|
|                  |                     |                   | Min                                 | Typ | 2θ1/2               |
| HL-PSC-2012U32YC | Yellow<br>(AlGaInP) | Water Clear       | 600                                 | 780 | 130°                |

Note:(备注)

1. The 2θ1/2 measurement error ±10 degrees( 角度测试误差为±10° )
2. the above luminous intensity measurement allowance tolerance ±10%.  
上述发光强度的测试允许公差为±10%

### Electrical / Optical Characteristics at Ta=25°C 电性与光学特性

| Parameter (参数)             | Symbol (符号)    | Min. (最小) | Typ. (平均) | Max. (最大) | Units (单位) | Test Conditions<br>测试条件 |
|----------------------------|----------------|-----------|-----------|-----------|------------|-------------------------|
| Forward Voltage<br>正向电压    | V <sub>F</sub> | 1.8       | --        | 2.4       | V          | I <sub>F</sub> =20mA    |
| Reverse Current<br>反向电流    | I <sub>R</sub> | --        | --        | 10        | μA         | V <sub>R</sub> = 5V     |
| Dominate Wavelength<br>主波长 | λ <sub>d</sub> | 586       | --        | 596       | nm         | I <sub>F</sub> =20mA    |

### Absolute Maximum Ratings at Ta=25°C 绝对最大额定值

| Parameter (参数)                     | Symbol (符号)     | Rating (值) | Units (单位) |
|------------------------------------|-----------------|------------|------------|
| Power Dissipation (功耗)             | P <sub>d</sub>  | 72         | mW         |
| Forward Current (正向电流)             | I <sub>F</sub>  | 30         | mA         |
| Peak Forward Current [1] (峰值正向电流)  | I <sub>FP</sub> | 100        | mA         |
| Reverse Voltage (反向电压)             | V <sub>R</sub>  | 5          | V          |
| Electrostatic Discharge (HBM) (静电) | ESD             | 2000       | V          |
| Operating Temperature (操作温度)       | Topr            | -40 ~ +85  | °C         |
| Storage Temperature (保存温度)         | Tstg            | -40 ~ +100 | °C         |

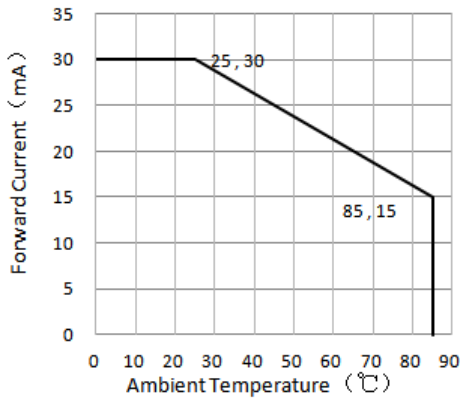
Note: (备注)

1. 1/10 Duty cycle, 0.1ms pulse width. (脉宽0.1ms, 周期1/10)
2. The above forward voltage measurement allowance tolerance is ±0.1V. (以上所示电压测量误差±0.1V)

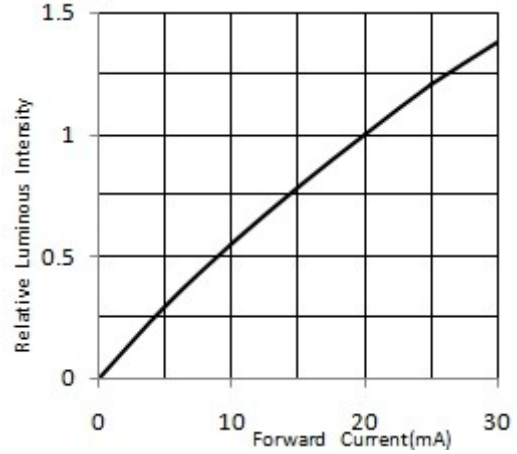
# HL-PSC-2012U32YC

## Typical optical characteristics curves 典型光学特性曲线

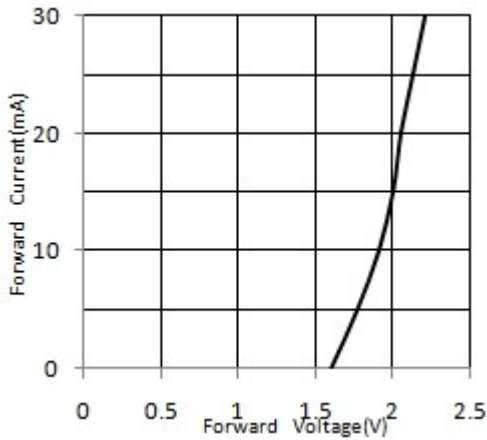
Ambient Temperature vs. Forward Current  
环境温度与正向电流特性曲线



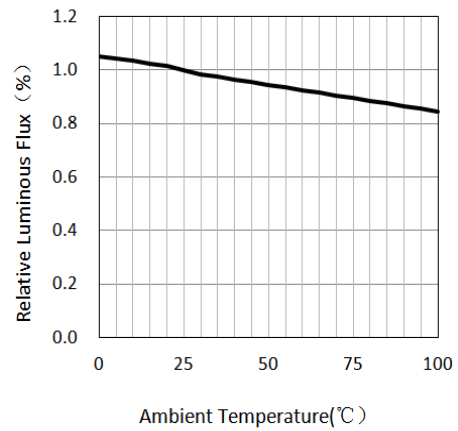
Forward Current VS. Relative Intensity  
正向电流与相对光强特性曲线



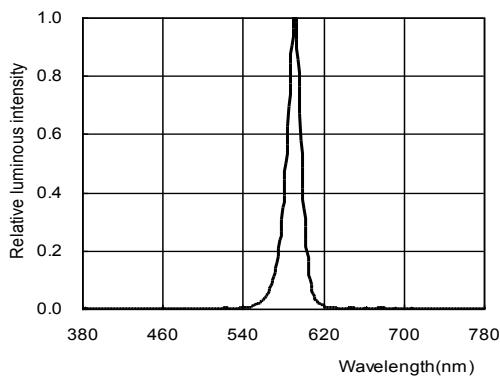
Forward Voltage VS. Forward Current  
正向电压与正向电流特性曲线



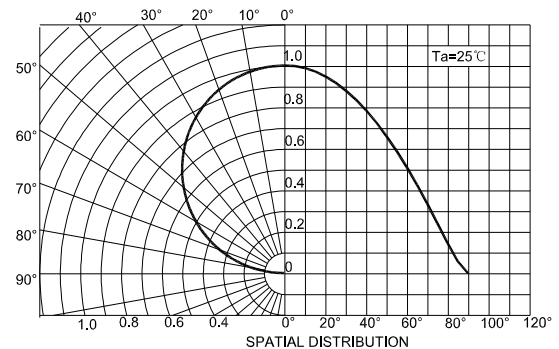
Ambient Temperature VS. Relative Intensity  
环境温度与相对光强特性曲线



Relative spectral emission  
相对光谱分布特性曲线



Radiation diagram  
辐射图特性曲线



## HL-PSC-2012U32YC

### Reliability Test Items And Conditions 信赖性测试项目及条件

| Test Items<br>项目                            | Ref.Standard<br>参考标准 | Test Condition<br>测试条件       | Time<br>时间 | Quantity<br>数量 | Ac/Re<br>接收/拒收 |
|---|----------------------|------------------------------|------------|----------------|----------------|
| Reflow<br>回流焊                               | JESD22-B106          | Temp:260°C max<br>T=10 sec   | 3 times.   | 22Pcs.         | 0/1            |
| Thermal Shock<br>冷热冲击                       | JESD22-A106          | -45-125°C<br>15min/10s/15min | 100 Cycles | 22Pcs.         | 0/1            |
| High Temperature Storage<br>高温保存            | JESD22-A103          | Temp:100°C±5°C               | 1000Hrs.   | 11Pcs.         | 0/1            |
| Low Temperature Storage<br>低温保存             | JESD22-A119          | Temp:-40°C±5°C               | 1000Hrs.   | 11Pcs.         | 0/1            |
| Life Test<br>常温通电                           | JESD22-A108          | Ta=25°C±5°C<br>IF=20mA       | 1000Hrs.   | 11Pcs.         | 0/1            |
| High Temperature<br>High Humidity<br>高温高湿保存 | JESD22-A101          | 85°C±5°C/ 85%RH              | 1000Hrs.   | 11Pcs.         | 0/1            |

### Criteria For Judging Damage 失效判定标准

| Test Items<br>项目         | Symbol<br>符号 | Test Condition<br>测试条件 | Criteria For Judgement<br>判定标准 |             |
|--------------------------|--------------|------------------------|--------------------------------|-------------|
|                          |              |                        | Min. 最小                        | Max. 最大     |
| Forward Voltage<br>正向电压  | VF           | IF=20mA                | --                             | U.S.L*)x1.1 |
| Reverse Current<br>反向电流  | IR           | VR = 5V                | --                             | U.S.L*)x2.0 |
| Luminous intensity<br>光强 | IV           | IF=20mA                | L.S.L*)x0.7                    | --          |

U.S.L: Upper standard level 规格上限

L.S.L: Lower standard level 规格下限

\*The technical information shown in the data sheets are limited to the typical characteristics and circuit examples of the referenced products. It does not constitute the warranting of industrial property nor the granting of any license.

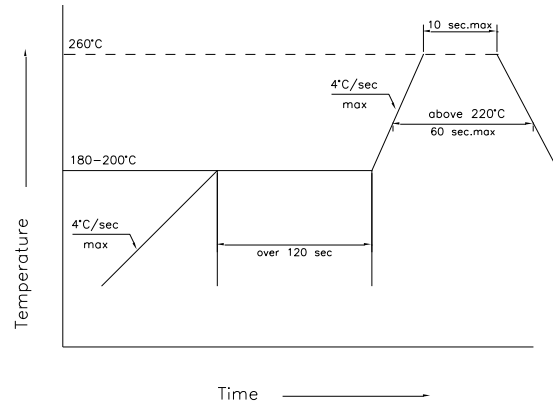
数据工作表中所示的技术信息仅限于典型特征和电路实例引用的产品。它既不构成工业特性的保证,也不构成任何许可的授权

## HL-PSC-2012U32YC

### SMT Reflow Soldering Instructions SMT回流焊说明

- 1.Reflow soldering should not be done more than three times. 回流焊不可以做三次以上
- 2.When soldering , do not put stress on the LEDs during heating

当焊接时，不要在材料受热时用力压胶体表面



### Soldering iron 烙铁焊接

- 1.When hand soldering, keep the temperature of iron below less 350°C less than 5 seconds

当手工焊接时，烙铁的温度必须小于350°C，时间不可超过5秒

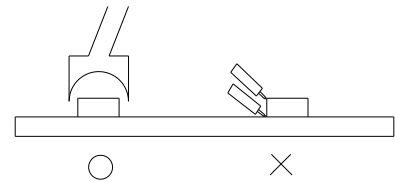
- 2.The hand solder should be done only one times

手工焊接只可焊接一次

### Repairing 修补

Repair should not be done after the LEDs have been soldered. When repairing is unavoidable, a double-head soldering iron should be used (as below figure). It should be confirmed in advance whether the characteristics of LEDs will or will not be damaged by repairing.

LED回流焊后不应该修复，当修复是不可避免时，必须使用双头烙铁（如下图），但必须先确认此种方式会或不会损坏LED本身的特性。



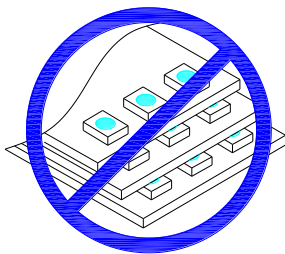
### Cautions 注意事项

- 1.Do not stack together assembled PCBs containing LEDs. Impact may scratch the silicone lens or damage the internal circuitry

不可将模组材料堆积在一起，它可能会损坏内部电路

- 2.Not suitable to operate in acidic environment, PH<7

不可用在PH<7的酸性场所



- 3.Other points for attention, please refer to our LED user manual , In accordance with the user manual, the product shelf life is 24 months , If there is a warranty agreement, the warranty agreement shall prevail

其它注意事项请参照我们的LED使用手册，符合使用手册的情况下，产品保质期为24个月，已签订保质协议的则以保质协议为准

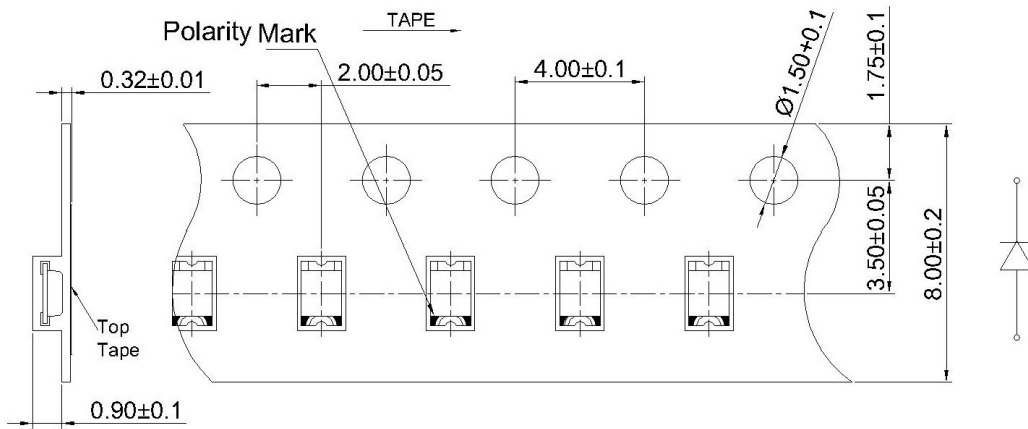
# HL-PSC-2012U32YC

## Label 标签

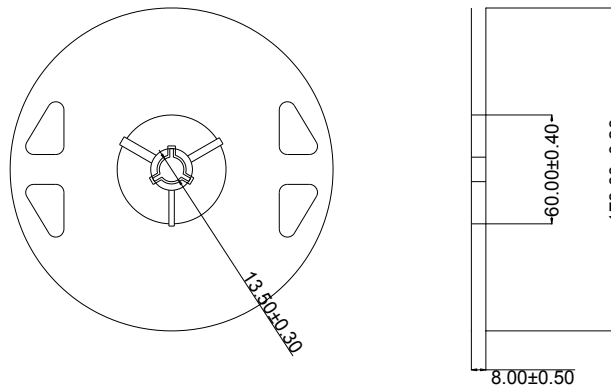
PartNo: Part number                    型号  
 IV: Luminous intensity rank 亮度等级  
 WLD: Dominate Wavelength 波长等级  
 VF: Forward voltage rank    电压等级  
 LotNo: Lot number                    批号



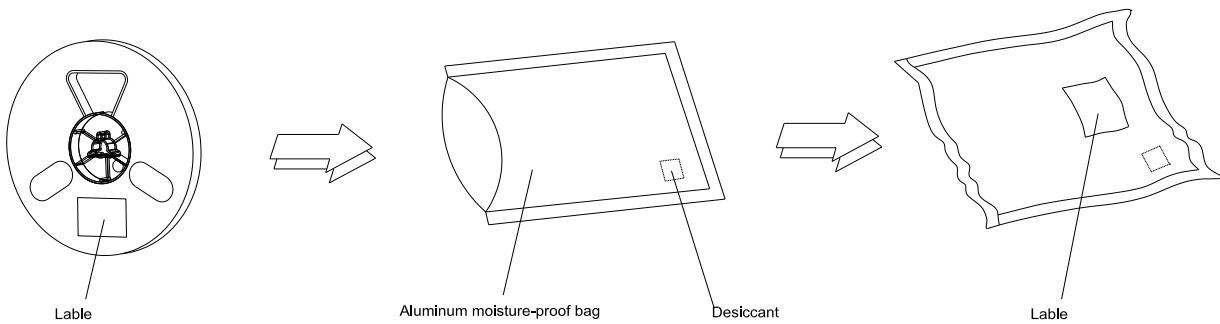
## Tape Specifications (Units : mm)      载带规格 (单位: mm)



## Reel Dimensions      卷轴尺寸



## Moisture Resistant Packaging      防潮带包装



Note: The tolerances unless mentioned is ±0.1mm , Unit: mm      注: 标注公差为±0.1mm , 单位: mm

| 修订次数 | 修订人 | 修订内容                       | 修订日期         | 版次 |
|------|-----|----------------------------|--------------|----|
| 1    | 谭娅  | 中英文版                       | 2012. 09. 19 | A2 |
| 2    | 林桂全 | 修改发光角度                     | 2015. 09. 09 | A3 |
| 3    | 揭秒业 | 统一封面和标签                    | 2017. 08. 11 | A4 |
| 4    | 陈少霞 | 统一封面和变更包装数量<br>3K/卷变更为4K/卷 | 2020. 09. 22 | A5 |
| 5    | 吴飞龙 | 修改封面、环境温度曲线、灯珠图            | 2022. 01. 07 | A6 |
| 6    |     |                            |              |    |
| 7    |     |                            |              |    |
| 8    |     |                            |              |    |
| 9    |     |                            |              |    |
| 10   |     |                            |              |    |
| 11   |     |                            |              |    |
| 12   |     |                            |              |    |
| 13   |     |                            |              |    |
| 14   |     |                            |              |    |
| 15   |     |                            |              |    |
| 16   |     |                            |              |    |
| 17   |     |                            |              |    |
| 18   |     |                            |              |    |
| 19   |     |                            |              |    |
| 20   |     |                            |              |    |
| 21   |     |                            |              |    |
| 22   |     |                            |              |    |
| 23   |     |                            |              |    |
| 24   |     |                            |              |    |
| 25   |     |                            |              |    |