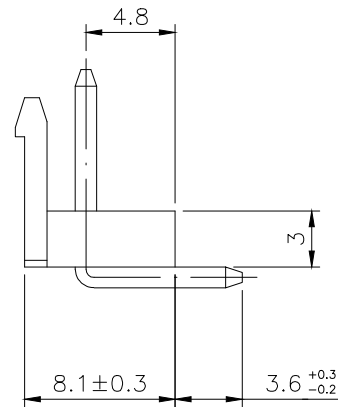
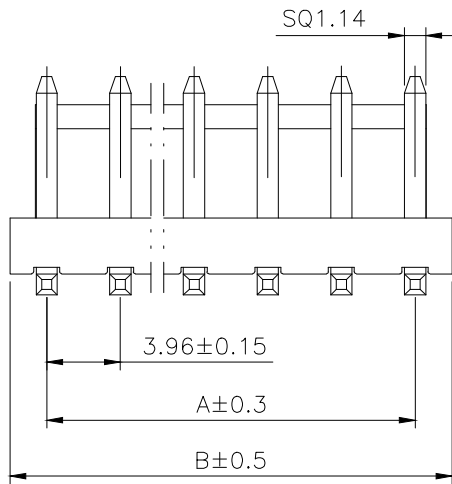


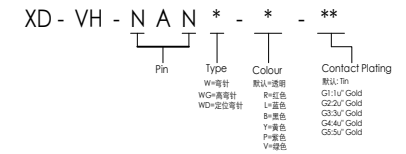
SPECIFICATIONS

1. Current Rating: 7A AC, DC
2. Voltage Rating: 250V AC, DC
3. Temperature Range: -25°C~ +85°C
4. Contact Resistance: 20mΩ Max
5. Insulation Resistance: 1000mΩ Min
6. Withstanding Voltage: 1500V AC/minute
7. Material: Wafer Nylon66 UL94-VO(2)
PIN Brass Tin-plated

Circuit	Part NO.	Dimensions mm	
		A	B
2	XD-VH-2A2W-X-XX	3.96	7.92
3	XD-VH-3A2W-X-XX / XD-VH-3A3W-X-XX	7.92	11.88
4	XD-VH-4A4W-X-XX	11.88	15.84
5	XD-VH-5A5W-X-XX	15.84	19.80
6	XD-VH-6A6W-X-XX	19.80	23.76
7	XD-VH-7A7W-X-XX	23.76	27.72
8	XD-VH-8A8W-X-XX	27.72	31.68
9	XD-VH-9A9W-X-XX	31.68	35.64
10	XD-VH-10A10W-X-XX	35.64	39.60
11	XD-VH-11A11W-X-XX	39.60	43.56
12	XD-VH-12A12W-X-XX	43.56	47.52
13	XD-VH-13A13W-X-XX	47.52	51.48
14	XD-VH-14A14W-X-XX	51.48	55.44
15	XD-VH-15A15W-X-XX	55.44	59.40



Ordering Information



GENERAL TOLERANCE			制图 DRAWING	05	深圳讯答科技有限公司 ShenzhenXunDaTechnology Co.,Ltd			
			审核 CHECK		产品名称 TITLE	VH (3.96) 平弯针	版本 REV.	A
			批准 APPROVAL		产品料号 PART NO.	XD-VH-NANW-X-XX	单位 UNITS	mm
1	初版发行		比例 SCALE		材料 MATERIAL		页次 SHEET	1/1
序号 No.	变更内容 MODIFY CONTENT	日期 MODIFY DATE	Angle ±3.0°	投影 Projection				