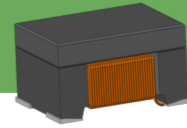


# Wire Wound Chip Common Mode Choke –AMCW -B Series



Operating Temp : -40°C ~+150°C

## FEATURES

- ◆ Winding type realizes small size and low profile
- ◆ Suppression of common mode noise at high frequency
- ◆ Excellent solderability
- ◆ AEC-Q200 verified

## APPLICATIONS

- ◆ Common mode noise filtering for automotive CAN-BUS and signal line.

## PRODUCT IDENTIFICATION

1	2	3	4	5	6
<b>AMCW</b>	<b>3225</b>	<b>B</b>	<b>-2</b>	<b>-110</b>	<b>T</b>

1 Type	
AMCW	Wire Wound Chip Common Mode Choke for Automotive

2 External Dimensions (L×V) (mm)	
3225 [1210]	3.2×2.5
4532 [1812]	4.5×3.2

3 Code	
B	for CAN-BUS

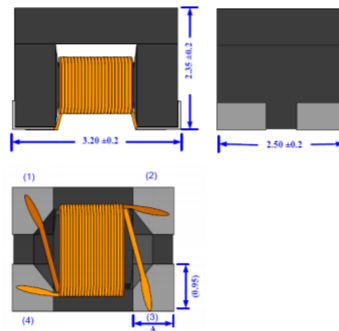
5 Inductance(uH)	
Example	Nominal Value
110	11
220	22
510	51
101	100

4 Number of Lines	
	2

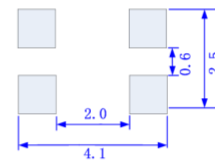
6 Packing	
T	Tape & Reel

## SHAPE AND DIMENSIONS

AMCW3225B TYPE



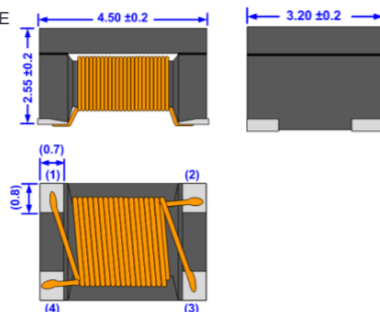
Recommended Land Pattern



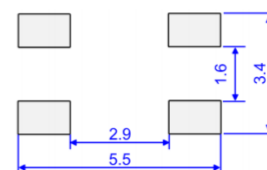
Unit: mm

Part Number	A
AMCW3225B-2-110T/220T	0.80mm
AMCW3225B-2-510T/101T	0.70mm

AMCW4532B TYPE



Recommended Land Pattern



**SPECIFICATIONS** AMCW3225B TYPE

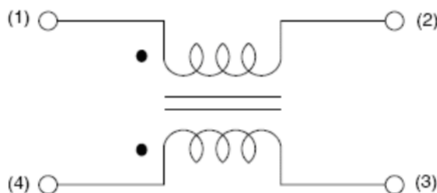
Part Number	Inductance	DC Resistance	Rated Current	Rated Voltage	Insulation Resistance
	+50%/-30%	Max.	Max.	Max.	Min.
Units	uH	$\Omega$	mA	Volts	M $\Omega$
Symbol	L	DCR	I <sub>r</sub>	V <sub>DC</sub>	IR
AMCW3225B-2-110T	11(@100KHz/0.1V)	0.3	400	80	10
AMCW3225B-2-220T	22(@100KHz/0.1V)	0.5	300	80	10
AMCW3225B-2-510T	51(@100KHz/0.1V)	1.5	200	80	10
AMCW3225B-2-101T	100(@100KHz/0.1V)	2.2	150	80	10

AMCW4532B TYPE

Part Number	Inductance	DC Resistance	Rated Current	Rated Voltage	Insulation Resistance
	+50%/-30%	Max.	Max.	Max.	Min.
Units	uH	$\Omega$	mA	Volts	M $\Omega$
Symbol	L	DCR	I <sub>r</sub>	V <sub>DC</sub>	IR
AMCW4532B-2-110T	11(@ 100KHz/0.1V)	0.5	360	50	10
AMCW4532B-2-220T	22(@ 100KHz/0.1V)	0.8	310	50	10
AMCW4532B-2-510T	51(@ 1.0MHz/0.1V)	1.0	230	50	10
AMCW4532B-2-101T	100(@ 1.0MHz/0.1V)	2.0	200	50	10

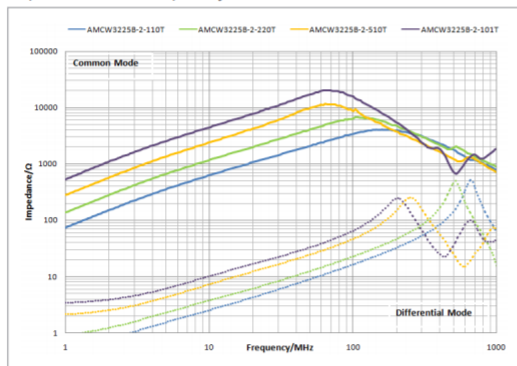
※: Products with other electrical characteristics can be provided upon customer's request. Please contact your local sales.

**EQUIVALENT CIRCUIT**



**TYPICAL ELECTRICAL CHARACTERISTICS**

AMCW3225B TYPE  
Impedance vs. Frequency



AMCW4532B TYPE  
Impedance vs. Frequency

