

MESSRS.**SPECIFICATION FOR APPROVAL****承 認 书**

Product	MAGNETIC BUZZER (INDICATOR)
Part No.	HX-1203-C (RoHS)
Customer Approval	

Approved By	Checked By	Made By
王台平 APR-08-2017	曹丽萍 APR-08-2017	LILY APR-08-2017

常州华龙电子有限公司**DRAGONSTATE ELECTRONIC CORPORATION**

中国江苏省常州市新区电子园新四路 36 号

Tel: +86-519-85110078. 86-519-85106698, Fax: +86-519-85101081

EDITION:1.1

1. Specifications

HX-1203-C (RoHS)

Items		Units	Specifications	Conditions
01	Rated Voltage	VDC	3	Response Time 500 mSec
02	Operating Voltage	VDC	2~5	Volts D.C
03	Consumption Current	mA (Max)	Mean 30	Applying rated voltage
			Peak 90	
04	Direct Current Resistance	Ohm	None	
05	Sound Output	dB(A) (min)	85	Distance at 10cm, applying rated voltage
06	Basic Frequency	Hz	2300 ± 300	
07	Operating Temp.	°C	-20 ~ +70	
08	Storage Temp.	°C	-30 ~ +80	
09	Weight	Gram	2	

2. Measuring Method

2-1. Test Condition

STANDARD

Temperature : 15 ~ 35°C

Relative humidity : 25% ~ 85%,

Atmospheric pressure : 860mbar to 1060mbar.

1060mbar

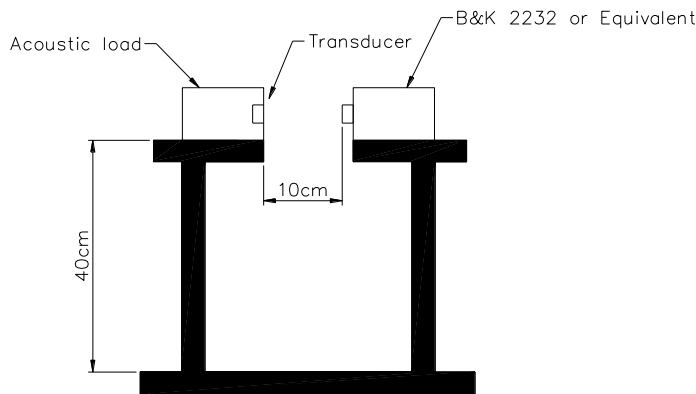
JUDGEMENT

Temperature : 20 ± 3°C

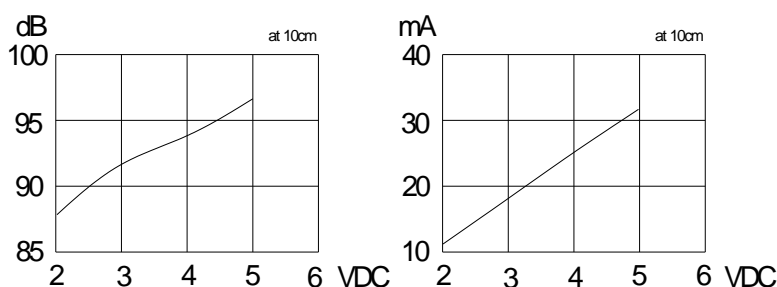
Relative humidity : 60% ~ 70%,

Atmospheric pressure : 860mbar to

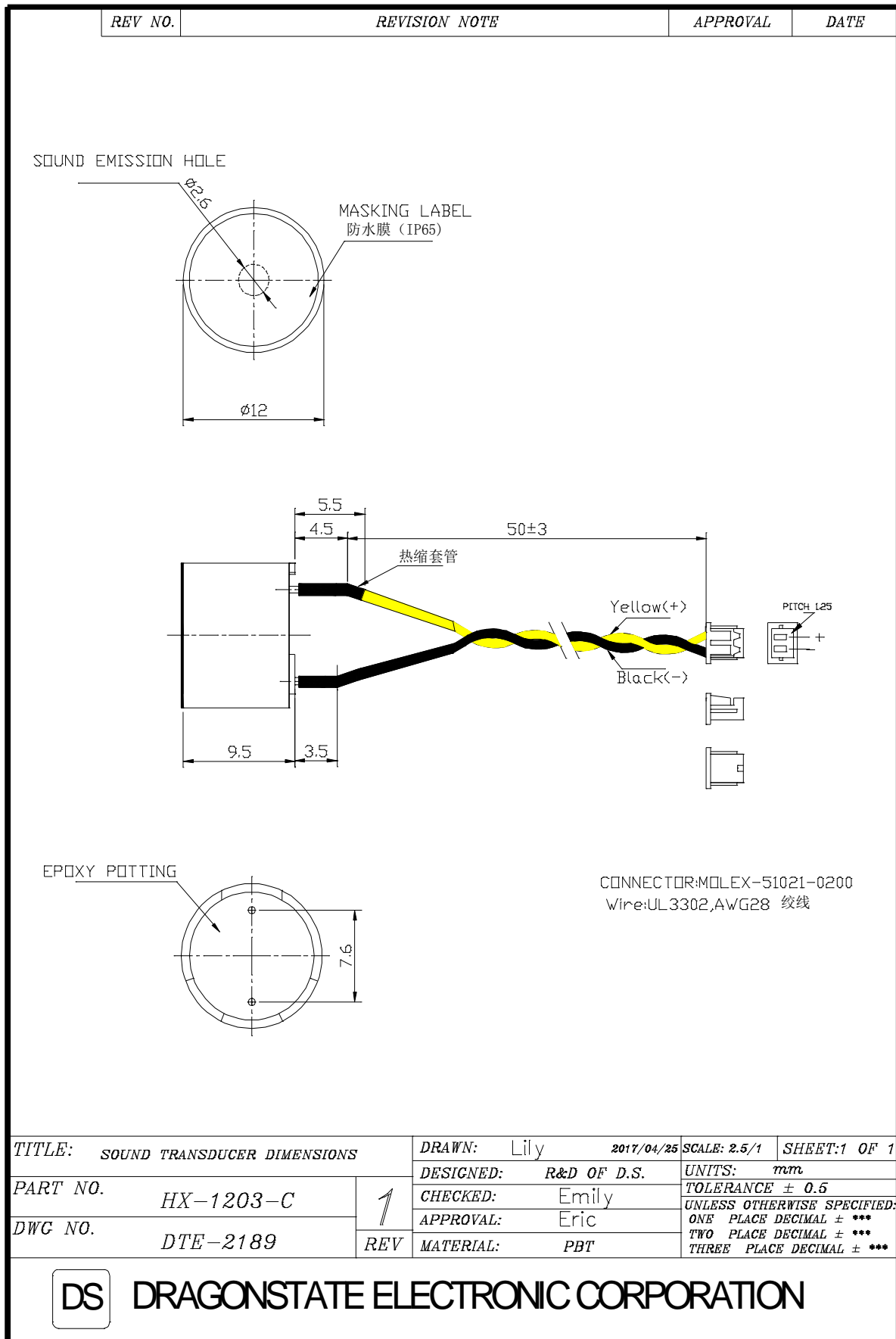
2-3. Standard Test Fixture



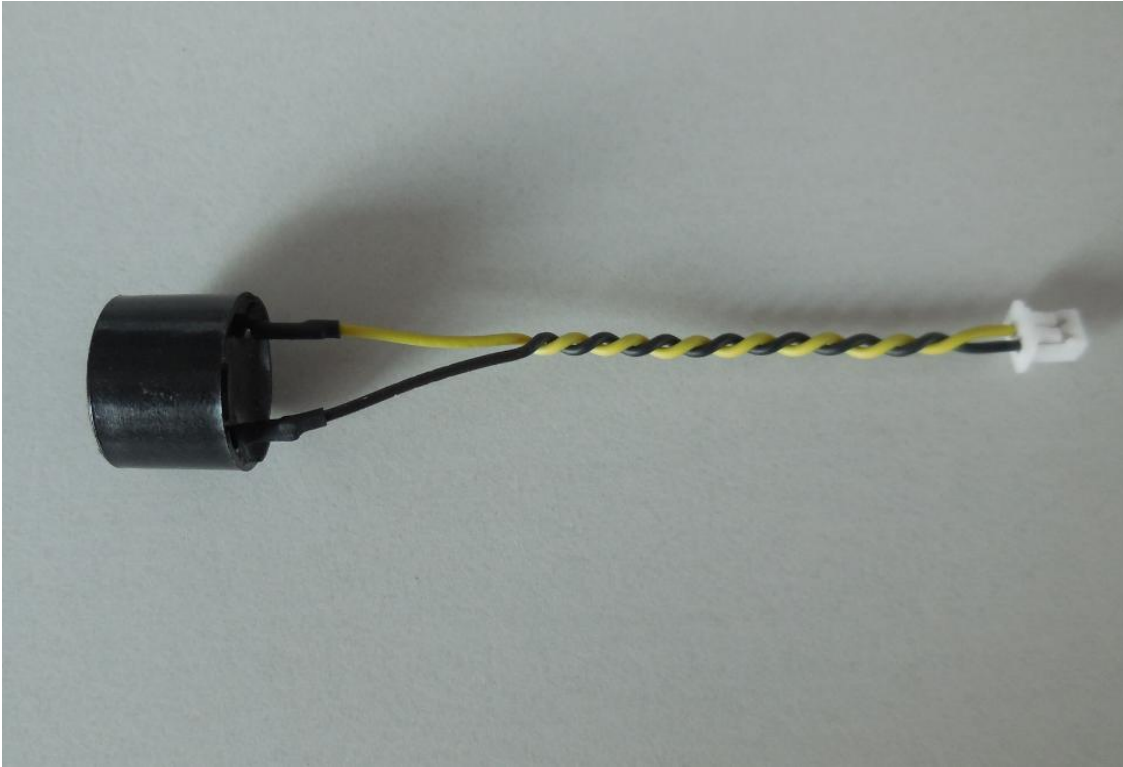
2-4. Frequency Response Curve



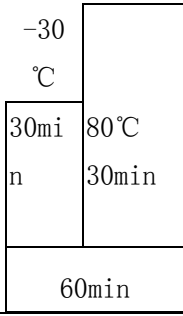
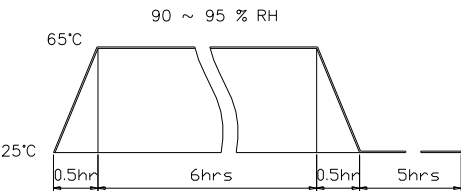
3. Dimension



4. Product picture



5. Reliability test

Item		Test conditions	Evaluation standard
01	High temp. Storage life	The part shall be capable of withstanding a storage Temperature of 80°C for 96 hours.	<p>After the test the part shall meet specifications without Any degradation in appearance and performance except S.P.L S.P.L shall be 78dB or more.</p>
02	Low temp. Storage life	The part shall be capable of withstanding a storage Temperature of -30°C for 96 hours.	
03	Temp. cycle	<p>The part shall be subjected 10 cycles. One cycle shall consist of;</p> 	
04	Temp./Humidity cycle	<p>The part shall be subjected 10 cycles. One cycle shall be 12 hours and consist of;</p> 	
05	Operating life	<p>Rated Voltage applied.</p> <ol style="list-style-type: none"> Ordinary temperature The part shall be subjected to 1000 hours at room temperature ($25 \pm 10^\circ\text{C}$) High temperature The part shall be subjected to 500 hours at 85°C Low temperature The part shall be subjected to 500 hours at -40°C 	
06	Lead Strength	Pull load on the direction of the lead axis for 10 ± 1 sec.	
07	Vibration	<p>The part shall be subjected to a vibration cycle of 10Hz to 55Hz to 10Hz in a period of 1 minute. Total peak amplitude shall be 1.52mm (9.3G). The vibration test shall consist of 2 hours per plane in each three mutually perpendicular planes for a total time of 6 hours.</p>	

Item		Test conditions	Evaluation standard
08	Fixed drop	The part shall be mounted on standard pc board and dropped from a height of 152cm onto a concrete floor 5 times in each 6 planes. (a total of 30 times)	After the test the part shall meet specifications without Any degradation in appearance and performance except S. P. L S. P. L shall be 78dB or more.
09	Free drop	The part only shall be dropped from a height of 75cm onto a 40mm thick wooden board 3 times in 3 axes (X. Y. Z). (a total of 9 times).	
10	Solder heat resistance	Soldering into solderbath : $350 \pm 5^{\circ}\text{C}$ Soaking time : 3.5 ± 0.5 sec	
11	Solder ability	Soldering : $260 \pm 5^{\circ}\text{C}$ / 5 Sec. $350 \pm 20^{\circ}\text{C}$ / 5Sec Soldering t into solderbath : $260 \pm 5^{\circ}\text{C}$ Soaking time : 2 ± 0.5 sec.	
12	Lead strength	Pull lead with a force of 10N, on the direction of the lead axis for 10 : 10 ± 1 sec	
13	Washability	Solvent : deionized water Solvent temp. : $55 \pm 5^{\circ}\text{C}$ Soaking time : 5 ± 0.5 min.	

6. Packing

Dragonstate Electronic Corporation 常州华龙电子有限公司		 華龍電子 HUAROM SOUND													
 <h2 style="margin: 0;">包装作业指导书</h2>															
文件编号: WI-PA-DP-1026		客户图号:													
客户名称: oFo	产品名称: HX-1203-C	回收 <input type="checkbox"/> YES <input checked="" type="checkbox"/> NO													
包装规格: 编号 数量	包装资料: 数量														
纸箱 515*320*280	1个	每箱数量	6000PCS/箱												
包装盒 320*255*80	6个/箱	每盒数量	1000PC/盒												
胶带 /	/	大标签	2张/箱												
		每箱重量约	13.7KG/箱												
<h3>包装方法如图所示:</h3>															
零件照片:  单重: 2.0g	小单位示意包装:  ← 每袋100 pcs  ← 每盒15袋 共1500 pcs 层与层间夹珍珠棉														
每箱内部包装示意: 放3层, 每层2盒, 共6盒 6000PCS/箱 	每卡板包装示意: 														
<table border="1" style="width: 100%; border-collapse: collapse;"> <tr> <td style="width: 25%;">更改内容</td> <td style="width: 25%;">新制</td> <td style="width: 25%;">制作</td> <td style="width: 25%;">许晓曼</td> </tr> <tr> <td>发行日期</td> <td>2017/5/18</td> <td>QA审核</td> <td>王通红</td> </tr> <tr> <td>版本</td> <td>1</td> <td>批准</td> <td>曹丽萍</td> </tr> </table>				更改内容	新制	制作	许晓曼	发行日期	2017/5/18	QA审核	王通红	版本	1	批准	曹丽萍
更改内容	新制	制作	许晓曼												
发行日期	2017/5/18	QA审核	王通红												
版本	1	批准	曹丽萍												

