

壓敏電阻器規格承認書

APPROVAL SPECIFICATION FOR VARISTORS

客戶

CUSTOMER

立創

客戶料號

CUSTOMER P/N

客戶規格描述

CUST. DESCRIPTION

規格描述

DESCRIPTION

ZNR-34S561K/F25.4/L14.5

產品編碼

PART NUMBER

RM34S561KK1DE1A0

日期

DATE

2023/10/25

文件編號

DOC. NO.

DEC-SA-WI007

| 德爾創承認欄 APPROVED BY DERSONIC | | 客戶承認欄 APPROVED BY CUSTOMER | | |
|--------------------------------|----------------|-------------------------------|-------------------|----------------|
| 批准 APPROVED BY | 審核 CHECK BY | 制訂 FORMULATE BY | 批准 APPROVED BY | 審核 CHECK BY |
| 彭少雄 | 吳成愛 | 胡明康 | | |

東莞市德爾創電子有限公司

DONGGUAN DERSONIC ELECTRONIC CO., LTD.

GW®

ZNR®

ZNRC®

廣東省東莞市寮步鎮松湖智谷產業園F2棟15樓

15/F, Blk F2, Songshan Lake Intelligent Valley Industrial Park, Liaobu Town, Dongguan City, PRC

TEL: +86-769-8155 5686

FAX: +86-769-8155 5989

E-mail: sales@dersonic.com / quality@dersonic.com

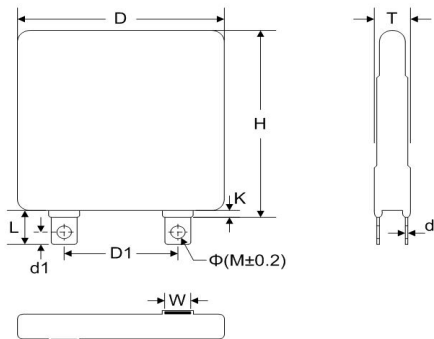
Website: http://www.dersonic.com

規格承認書

SPECIFICATION FOR APPROVAL

| | | |
|----------|---------------|-----------------|
| Rev1.0 | SPECIFICATION | NO. |
| PART NO. | ZNR-34S561K | PAGE 1 OF 4 |
| | | DATE: 2023年6月9日 |

1.OUTLINE

| | | | |
|--|------------|--------------------|------|
| 1.1 | APPEARANCE | | |
| 1.2 | DIMENSIONS | DIMENSIONS (mm) | |
|  | | H (max) | 40 |
| | | L(min) | 14.5 |
| | | D (max) | 38 |
| | | D1(±1.0) | 25.4 |
| | | T (max) | 9.5 |
| | | d(±0.25) | 0.5 |
| | | d1 (±0.3) | 3.7 |
| | | K (max) | 3.2 |
| | | W(±0.5) | 7.0 |
| | | M(±0.2) | 3.2 |
| | | Epoxy Colour: Blue | |

2.ELETRICAL PARAMETER

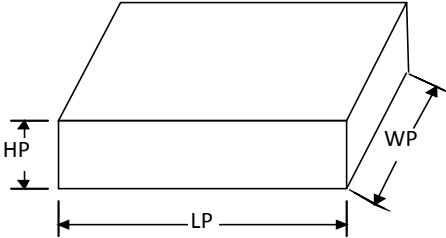
| | | | |
|------|---|--------------------|---|
| 2.1 | MAX ALLOWABLE VOLTAGE | AC: 350(V) | At 1mA DC |
| | | DC: 460(V) | |
| 2.2 | VARISTOR VOLTAGE | 504-616(V) | V0.1mA □ V1mA ■ |
| 2.3 | RATED WATTAGE | 1.4(W) | |
| 2.4 | MAX CLAMPING VOLTAGE | IP: 300(A) | Test Current Waveform 8/20 μs |
| | | Vc: 925(V) | |
| 2.5 | WITHSTANDING SURGE CURRENT | 1Time 40000A | Test Current Waveform 8/20 μs |
| | | 2Times: 30000A | |
| 2.6 | MAX ENERGY | 730(J) | Test Current Waveform 10/1000 μs |
| 2.7 | TYPICAL CAPACITANCE | 3800(pf) | @1KHz |
| 2.8 | LEAKAGE CURRENT | ≅ 50 (μA) | At 80% of Varistor Voltage |
| 2.9 | NONLINEAR EXPONENT (α) | ≅ 10 | $\alpha = \log \frac{I_1}{I_2} / \log \frac{V_1}{V_2}$ |
| 2.10 | TEMPERATURE COEFFICIENT OF VARISTOR VOLTAGE | ≅ ±0.05%/°C max | $\frac{Vc85^{\circ}C - Vc25^{\circ}C}{Vcat25^{\circ}C} \times \frac{1}{60} \times 100(\%^{\circ}C)$ |
| 2.11 | IMPULSE LIFE | ≅ ± 10%(V1mA) | Test Current Waveform 8/20 μs |

規格承認書

SPECIFICATION FOR APPROVAL

| | | |
|----------|---------------|-----------------|
| Rev1.0 | SPECIFICATION | NO. |
| PART NO. | ZNR-34S561K | PAGE: 2 OF 4 |
| | | DATE: 2023年6月9日 |

3.PACKING

| | | | | |
|-----|-------------------|---|----------|--------|
| 3.1 | Quantity | 60PCS | | |
| 3.2 | Packing Dimension |  | LP | 255max |
| | | | HP | 66 max |
| | | | WP | 165max |
| | | | Unit: mm | |

4.MATERIAL LIST

| | | | | |
|-----|---------------------|-----------------|--------------------------|---|
| 4.1 | Drawing | ellipsis | | |
| 4.2 | Material Chart RoHs | Item | Composition | Manufacturer |
| | | Coating | Epoxy Resin | Made in China, and in line with the UL 94-V0 testing, meet the environmental requirements |
| | | Lead | Cu wire | Made in China, meet the environmental requirements |
| | | Electrode | Silver | Made in China, meet the environmental requirements |
| | | Disk | Zinc Oxide | Zip Over LLC |
| | | Solder | Sn:96.5%CU 0.5%Ag3.0% | Made in China, meet the environmental requirements |

5. MARKING CODE

| | |
|--|--|
| ZNR 34S561K D4D | <ol style="list-style-type: none"> 1) Dersonic trademark: ZNR 2) Nominal dimensions (34S=34*34mm) Varistor voltage (561=560V) Voltage tolerance (K=±10%) 3) Date code |
|--|--|

規格承認書

SPECIFICATION FOR APPROVAL

| | | | | | |
|-------------------------------------|---------------------------------|--|--|------------------|--------------|
| Rev1.0 | SPECIFICATION | NO. | | | |
| PART NO. | ZNR-34S561K | PAGE: 3 OF 4 | | | |
| | | DATE: 2023年6月9日 | | | |
| 6.MECHANICAL REQUIREMENTS | | | | | |
| 6.1 | Tensile of Terminations | No Outstanding Damage | 1.0Kgf; 10Sec. | | |
| 6.2 | Bending of Terminations | No Outstanding Damage | 0.5Kgf; 90° ,3 Times | | |
| 6.3 | Vibration | No Outstanding Damage | Freq:10-55hz;Amp:0.75mm,1Min | | |
| 6.4 | Solderability | Min. 95% of The Terminal Should Be Covered With Solder Uniformly | Solder Temp:265±5°C Immersed Time: ≤5Sec. | | |
| 6.5 | Resistance of soldering heat | △ V1mA/V1mA ≒±5% | Solder Temp: 265±5°C Immersed Time: 10±1Sec. | | |
| 7.ENVIRONMENTAL REQUIREMENTS | | | | | |
| 7.1 | High Temperature Storage | △V1mA/V1mA ≒±5% | Ambient Temp: 125±2°C Duration:1000h | | |
| 7.2 | Low Temperature Storage | △V1mA/V1mA ≒±5% | Ambient Temp: -40±2°C Duration:1000h | | |
| 7.3 | High Humidity Storage/Damp Heat | △V1mA/V1mA ≒±5% | Ambient Temp: 40±2°C 90-95% R.H. Duration:1000h | | |
| 7.4 | Temperature Cycle/5Cycle | △V1mA/V1mA ≒±5% | Step | Temperature (°C) | Period (min) |
| | | | 1 | -40±3 | 30 ±3 |
| | | | 2 | Room Temp | 15 ±3 |
| | | | 3 | 85±3 | 30 ±3 |
| 4 | Room Temp | 15 ±3 | | | |
| 7.5 | High Temperature Load | △V1mA/V1mA ≒±10% | Ambient temp:85±2°C Duration:1000h Load: MAX. Allowable Voltage | | |
| 7.6 | High Humidity Load | △V1mA/V1mA ≒±10% | Ambient Temp: 40±2°C 90-95%R.H.Duration:1000H Load: MAX. Allowable Voltage | | |
| 7.7 | Operating Temperature Range | -40°C ~ +85°C | -40°C ~ +85°C | | |
| 7.8 | Storage Temperature Range | -40°C ~ +125°C | -40°C ~ +125°C | | |

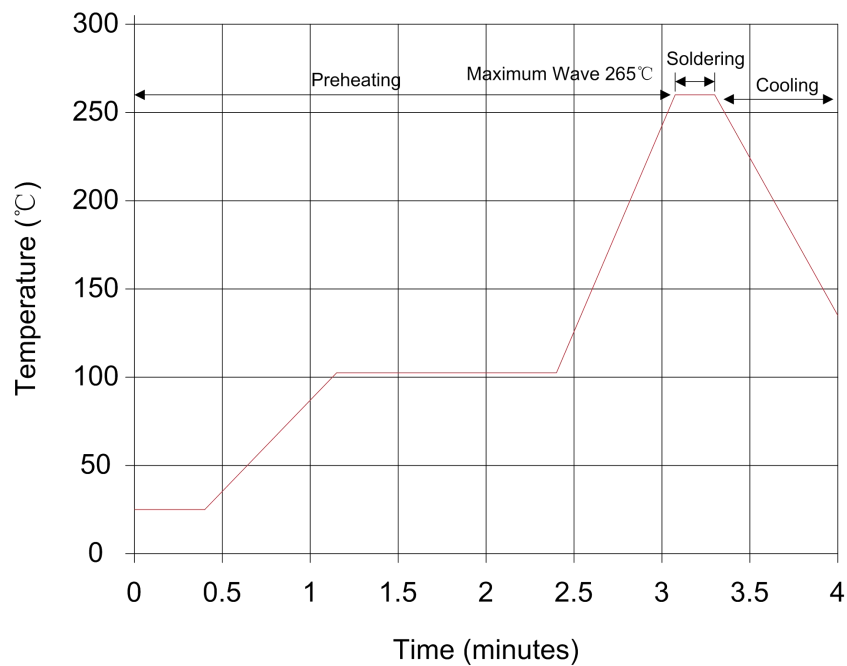
規格承認書

SPECIFICATION FOR APPROVAL

| | | |
|----------|---------------|-----------------|
| Rev1.0 | SPECIFICATION | NO. |
| PART NO. | ZNR-34S561K | PAGE: 4 OF 4 |
| | | DATE: 2023年6月9日 |

Soldering Recommendation

Wave Lead Free Soldering Recommendation



| Item | Conditions |
|------------------|-------------------|
| Peak Temperature | 265°C |
| Dipping Time | 10 seconds (max.) |
| Soldering | 1 time |

Recommendation Reworking Conditions with Soldering Iron

| Item | Conditions |
|-----------------------------------|------------------|
| Temperature of Soldering Iron-tip | 360°C (max.) |
| Soldering Time | 3 seconds (max.) |
| Distance from Varistor | 2mm (min.) |