

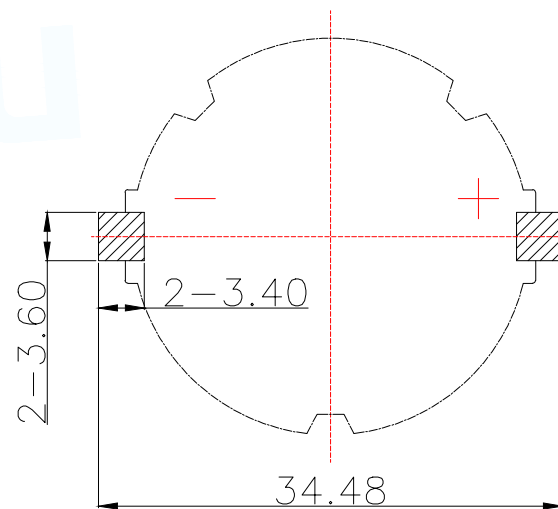
NOTE:

1.MATERIAL:

- a.HOUSING:LCP UL94V-0
- b.CONTACT:PHOSPHOR BRONZE (SURFACE PLATING: Au1U)

2.ELECTRIC:

- a.CONTACT RESISTANCE: 50 MILLIOHMS MAX
- b.INSULATION RESISTANCE: 100 MEGA OHMS MIN
- c.DIELECTNIC VOLTAGE: 500V AC ONE SEC LEVEL
- d.OPERATING TEMPERATURE: -25°C~ +85°C



PCB Layout Diagram
Top View

③	TERMINAL(-)	1	PHOSPHOR BRONZE, T=0.20mm	Sn Plating and Ni Under-Plating
②	TERMINAL(+)	1	PHOSPHOR BRONZE, T=0.20mm	Sn Plating and Ni Under-Plating
①	HOUSING	1	LCP	WHITE
NO.	PART NAME	Q'TY	MATERIAL	PLATING & COLOR

MANUFACTURE DWG		东莞市讯普电子科技有限公司 DongGuan XunPu Electronics Co.,Ltd	
UNLESS OTHERWISE SPECIFIED TOLERANCES		TITLE: Sn SMT LCP 絶	
DECIMALS:		PAR BS-2404-SA-4W	
ANGLES:		DWN	
X.X±0.30	X.*±5°	CHKD	
X.XX±0.25	X.X*±1°	APVD	
X.XXX±0.15		SCALE N:A UNIT:MM	
CUSTOMER COPY		SIZE:A4 SHEET:1F1 REV:A	