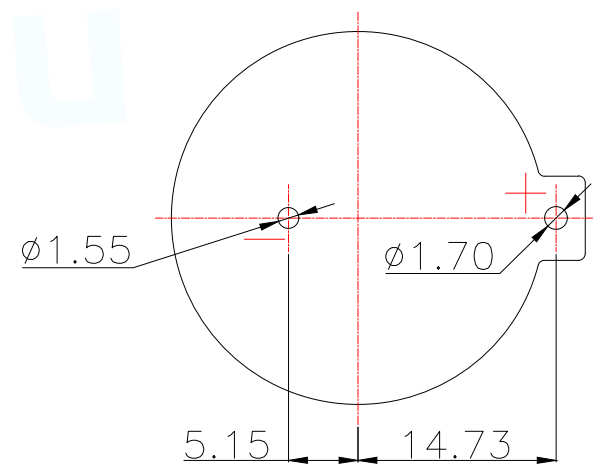


NOTE:

- 1.MATERIAL:
  - a.HOUSING:PBT
  - b.CONTACT:Mn Steel  
(SURFACE PLATING: Ni100u"-120u")
- 2.ELECTRIC:
  - a.CONTACT RESISTANCE: 100 MILLIOHMS MAX
  - b.INSULATION RESISTANCE: 100 MEGA OHMS MIN
  - c.DIELECTNIC VOLTAGE: 500V AC ONE SEC LEVEL
  - d.OPERATING TEMPERATURE: -25°C~+85°C



PCB Layout Diagram  
Top View

|     |             |      |                   |                 |
|-----|-------------|------|-------------------|-----------------|
| 3   | TERMINAL(-) | 1    | Mn Steel,T=0.50mm | Ni Plating      |
| 2   | TERMINAL(+) | 1    | Mn Steel,T=0.50mm | Ni Plating      |
| 1   | HOUSING     | 1    | PBT               | BLACK           |
| NO. | PART NAME   | Q'TY | MATERIAL          | PLATING & COLOR |

|                                       |         |   |                    |
|---------------------------------------|---------|---|--------------------|
| MANUFACTURE DWG                       |         | 东莞市讯普电子科技有限公司<br>DongGuan XunPu Electronics Co.,Ltd |                    |
| UNLESS OTHERWISE SPECIFIED TOLERANCES |         |   | TITLE:<br>DIP      |
| DECIMALS:                             | ANGLES: |   | PAR: BS-2402-DJ-0B |
| X.X±0.30                              | X.*±5°  |   | DWN:               |
| X.XX±0.25                             | X.X*±1° |   | CHKD:              |
| X.XXX±0.15                            |         | APVD:   | SCALE N:A          |
|                                       |         | CUSTOMER COPY                                       | UNIT:MM            |
|                                       |         |   | SIZE:A4            |
|                                       |         |   | SHEET:1F1          |
|                                       |         |   | REV:A              |