

80V N-Channel Power MOSFET

DESCRIPTION

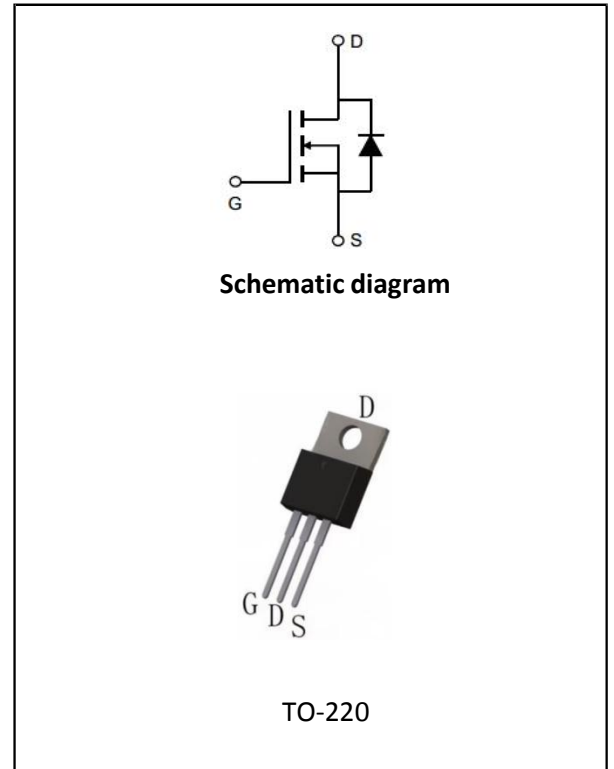
The MP150N08 uses advanced trench technology to provide excellent $R_{DS(ON)}$, low gate charge. It can be used in a wide variety of applications.

KEY CHARACTERISTICS

- ① $V_{DS} = 80V, I_D = 150A$
 $R_{DS(ON)} < 5.0m\Omega @ V_{GS}=10V$
- ② High density cell design for lower R_{dson}
- ③ Fully characterized avalanche voltage and current
- ④ Good stability and uniformity with high EAS
- ⑤ Excellent package for good heat dissipation

Application

- ① Power switching application
- ② Hard switched and High frequency circuits
- ③ Uninterruptible power supply



Package Marking And Ordering Information

Ordering Codes	Package	Product Code	Packing
MP150N08-P	TO-220	MP150N08P	Tube

Absolute Maximum Ratings ($T_A=25^\circ C$ unless otherwise noted)

Parameter	Symbol	Limit	Unit
Drain-Source Voltage	V_{DS}	80	V
Gate-Source Voltage	V_{GS}	± 20	V
Drain Current-Continuous	I_D	150	A
Drain Current-Pulsed (Note 1)	I_{DM}	823	A
Maximum Power Dissipation($T_c=25^\circ C$)	P_D	259	W
Single pulse avalanche energy(Note 2)	E_{AS}	823	mJ
Operating Junction and Storage Temperature Range	T_J, T_{STG}	-55 To 175	$^\circ C$

Thermal Characteristic

Thermal Resistance,Junction-to-Case	$R_{\theta JC}$	0.7	$^\circ C/W$
-------------------------------------	-----------------	-----	--------------

Electrical Characteristics (TA=25°C unless otherwise noted)

Parameter	Symbol	Condition	Min	Typ	Max	Unit
Off Characteristics						
Drain-Source Breakdown Voltage	BV _{DSS}	V _{GS} =0V I _D =250μA	80	-	-	V
Zero Gate Voltage Drain Current	I _{DSS}	V _{DS} =80V, V _{GS} =0V	-	-	1	μA
Gate-Body Leakage Current	I _{GSS}	V _{GS} =±20V, V _{DS} =0V	-	-	±100	nA
On Characteristics						
Gate Threshold Voltage	V _{GS(th)}	V _{DS} =V _{GS} , I _D =250μA	2	3	4	V
Drain-Source On-State Resistance(Note 3)	R _{DS(ON)}	V _{GS} =10V, I _D =80A	-	4	5	mΩ
Forward Transconductance	g _{FS}	V _{DS} =50V, I _D =75A	-	180	-	S
Dynamic Characteristics						
Input Capacitance	C _{iss}	V _{DS} =30V, V _{GS} =0V, f=1.0MHz	-	4115	-	pF
Output Capacitance	C _{oss}		-	570	-	pF
Reverse Transfer Capacitance	C _{rss}		-	395	-	pF
Switching Characteristics (Note 4)						
Turn-on Delay Time	t _{d(on)}	V _{DD} =40V, I _D =40A, V _{GS} =10V, R _{GEN} =3Ω	-	28	-	nS
Turn-on Rise Time	t _r		-	20	-	nS
Turn-Off Delay Time	t _{d(off)}		-	50	-	nS
Turn-Off Fall Time	t _f		-	23	-	nS
Total Gate Charge	Q _g	V _{DS} =40V, I _D =40A V _{GS} =10V	-	69	-	nC
Gate-Source Charge	Q _{gs}		-	23	-	nC
Gate-Drain Charge	Q _{gd}		-	22	-	nC
Drain-Source Diode Characteristics						
Diode Forward Voltage	V _{SD}	V _{GS} =0V, I _S =155A	-	-	1.2	V

Notes:

- 1.Repetitive Rating:Pulse width limited by maximum junction temperature.
- 2.EAS condition:T_j=25°C, V_{DD}=50V, V_G=10V, L=0.5mH, R_g=25Ω
- 3.Pulse Test:Pulse Width≤300μs, Duty Cycle≤2%.
- 4.Guaranteed by design, not subject to production.

Characteristics Curves

Figure 1 VDS, Drain-Source Voltage (V)

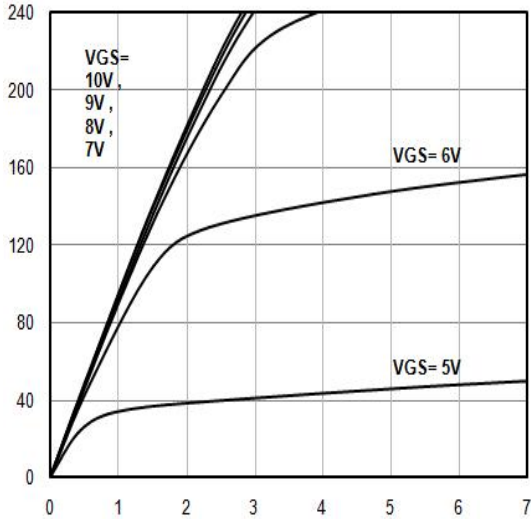


Figure 2 Tj-Junction Temperature (° C)

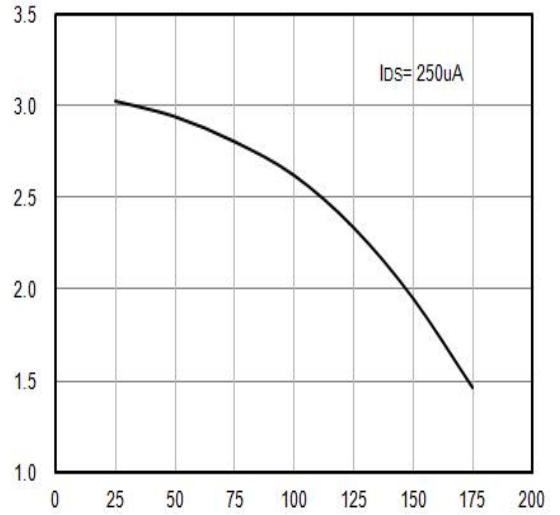


Figure 3 GS, Gate-Source Voltage (V)

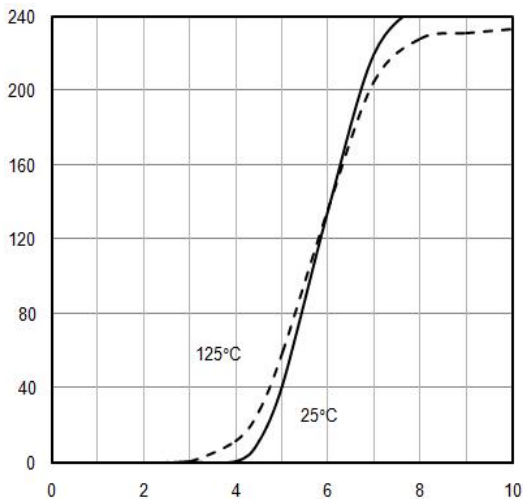


Figure 4 Tj-Junction Temperature (° C)

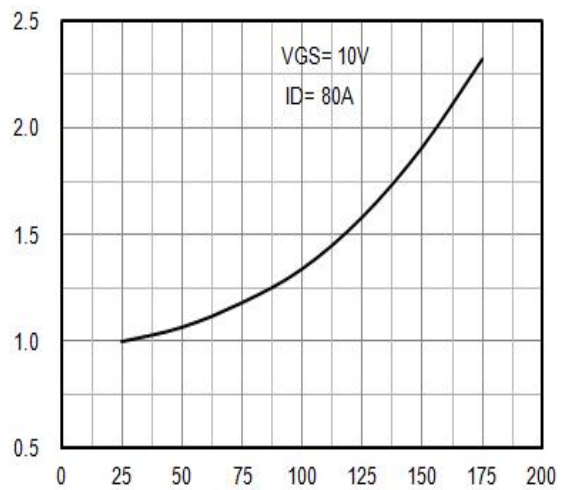


Figure 5 OVSD, Source-Drain Voltage

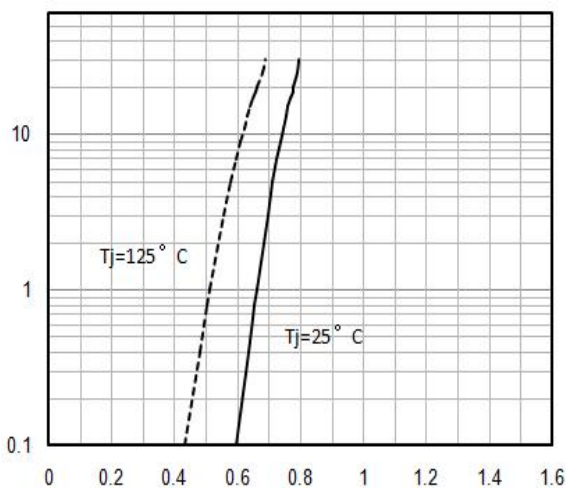


Figure 6 VDS, Drain-Source Voltage (V)

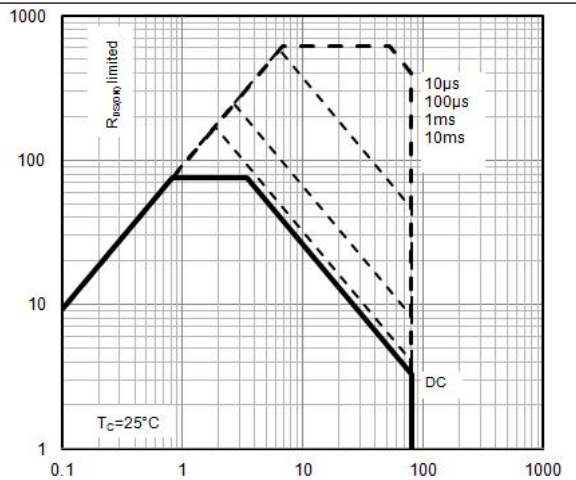


Figure 7 VDS, Drain-Source Voltage (V)

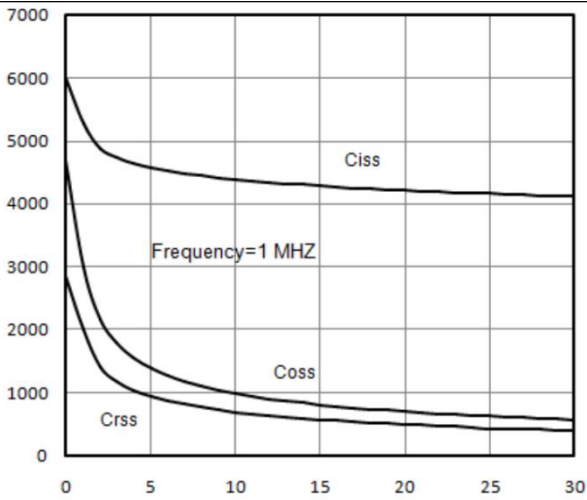


Figure 8 Qg-Total Gate Charge (nC)

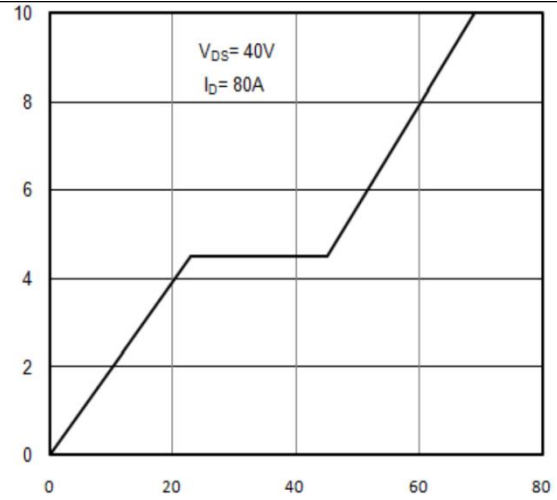
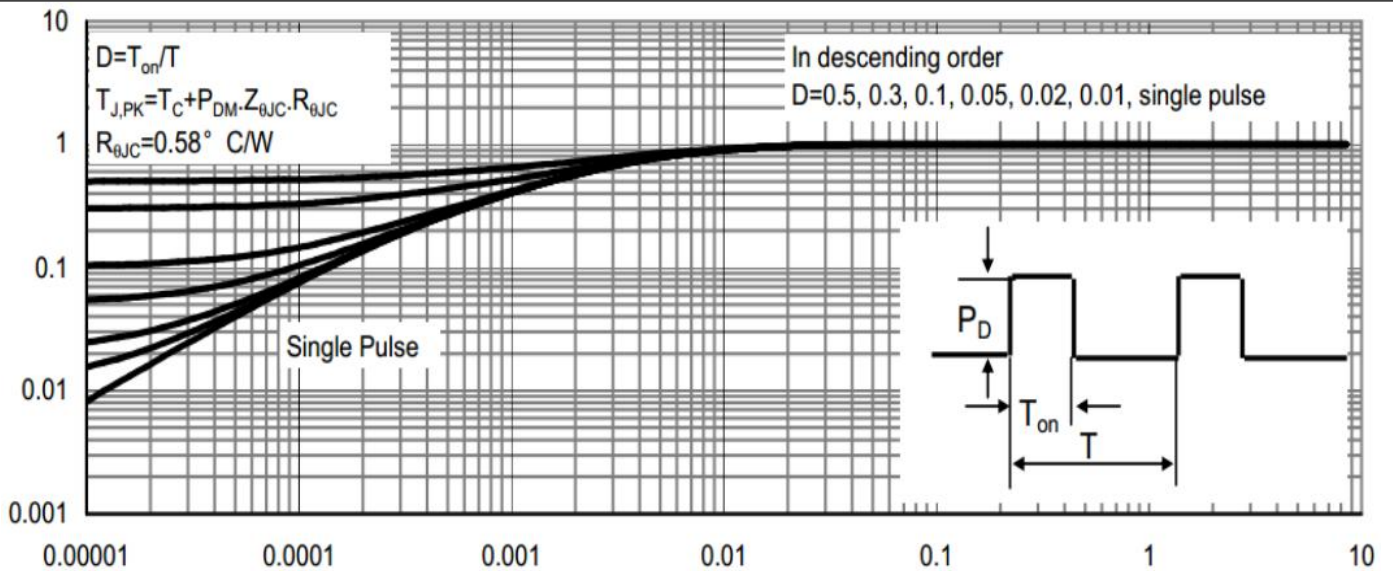


Figure 9. Normalized Maximum Transient Thermal Impedance



Test Circuit and Waveform

Figure 10. Unclamped Inductive Test Circuit and waveforms

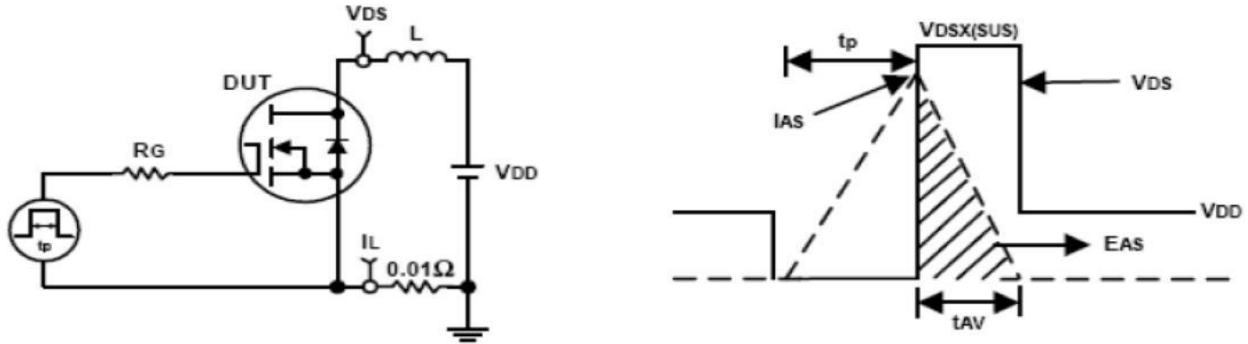
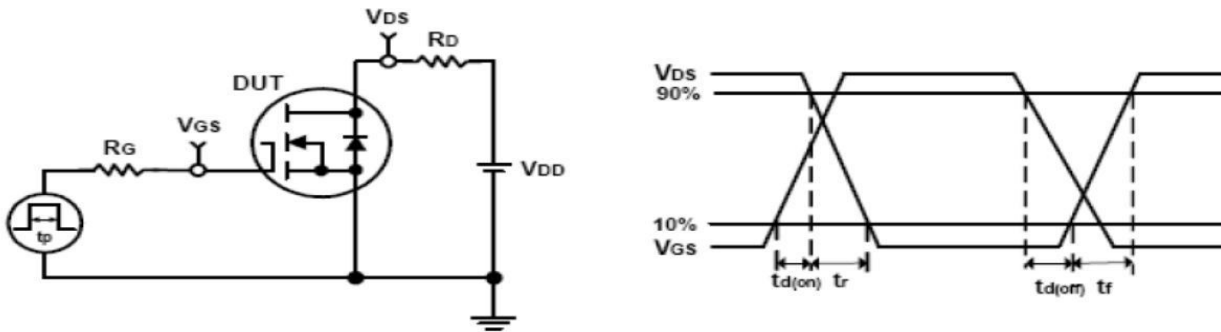
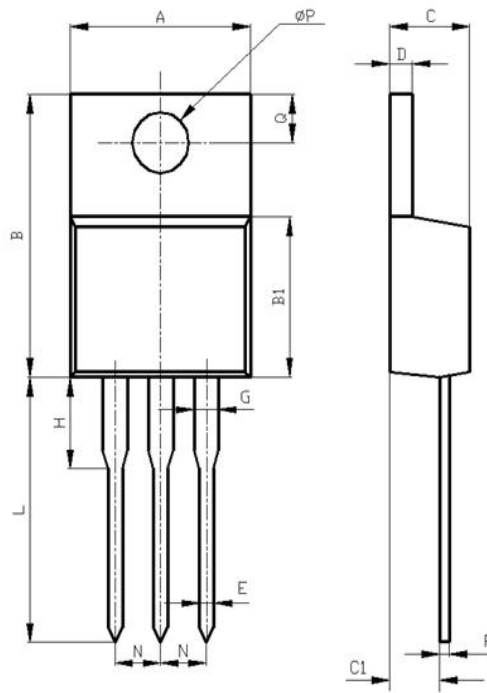


Figure 11. Switching Time Test Circuit and waveforms



Package Description



Items	Values(mm)	
	MIN	MAX
A	9.60	10.6
B	15.0	16.0
B1	8.90	9.50
C	4.30	4.80
C1	2.30	3.10
D	1.20	1.40
E	0.70	0.90
F	0.30	0.60
G	1.17	1.37
H	2.70	3.80
L	12.6	14.8
N	2.34	2.74
Q	2.40	3.00
φP	3.50	3.90

TO-220 Package



NOTE:

1. Exceeding the maximum ratings of the device in performance may cause damage to the device, even the permanent failure, which may affect the dependability of the machine. Please do not exceed the absolute maximum ratings of the device when circuit designing.
2. When installing the heat sink, please pay attention to the torsional moment and the smoothness of the heat sink.
3. MOSFETs is the device which is sensitive to the static electricity, it is necessary to protect the device from being damaged by the static electricity when using it.
4. Shenzhen Minos reserves the right to make changes in this specification sheet and is subject to change without prior notice.

CONTACT:

深圳市迈诺斯科技有限公司（总部）

地址：深圳市福田区华富街道田面社区深南中路4026号田面城市大厦22B-22C

邮编：518025

电话：0755-83273777