

Silicon N-Channel Power MOSFET

Description

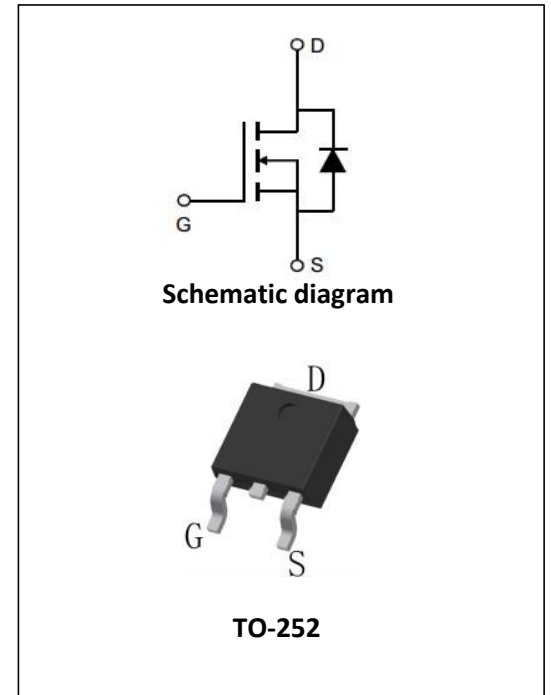
MDT18N20, the silicon N-channel Enhanced MOSFETs, is obtained by advanced MOSFET technology which reduce the conduction loss, improve switching performance and enhance the avalanche energy. The transistor is suitable device for SMPS, high speed switching and general purpose applications.

KEY CHARACTERISTICS

- ① $V_{DS}=200V, I_D=18A$ $R_{DS(ON)}<180m\Omega@V_{GS}=10V$
- ② Fast Switching
- ③ Low C_{rss}
- ④ 100% avalanche tested Improved dv/dt capability
- ⑤ RoHS product

APPLICATIONS

- ① High frequency switching mode power supply



ORDERING INFORMATION

Ordering Codes	Package	Product Code	Packing
MDT18N20	TO-252	MDT18N20	Tube

ABSOLUTE RATINGS at $T_C=25^{\circ}C$, unless otherwise specified

Symbol	Parameter	Rating	Units
V_{DSS}	Drain-to-Source Voltage	200	V
I_D	Continuous Drain Current	18	A
	Continuous Drain Current $T_C = 100^{\circ}C$	11	A
I_{DM}	Pulsed Drain Current(Note1)	72	A
V_{GS}	Gate-to-Source Voltage	± 30	V
E_{AS}	Single Pulse Avalanche Energy(Note2)	580	mJ
dv/dt	Peak Diode Recovery dv/dt (Note3)	5.0	V/ns
P_D	Power Dissipation TO-220, TO-251, TO-252	130	W
	Derating Factor above $25^{\circ}C$	1.2	W/ $^{\circ}C$



P _D	Power Dissipation TO-220F	42	W
	Derating Factor above 25°C	0.33	W/°C
T _J , T _{stg}	Operating Junction and Storage Temperature Range	150, -55 to 150	°C
T _L	Maximum Temperature for Soldering	300	°C

Thermal characteristics

Thermal characteristics (No FullPAK) TO-220\TO-251\TO-252

Symbol	Parameter	RATINGS	Units
R _{θJC}	Junction-to-Case	0.84	°C/W
R _{θJA}	Junction-to-Ambient	62.5	°C/W

Thermal characteristics (FullPAK) TO-220F

Symbol	Parameter	RATINGS	Units
R _{θJC}	Junction-to-Case	3.0	°C/W
R _{θJA}	Junction-to-Ambient	62.5	°C/W

Electrical Characteristics At TC=25°C, unless otherwise specified

OFF Characteristics						
Symbol	Parameter	Test Conditions	Values			Units
			Min.	Typ.	Max.	
V _{DSS}	Drain to Source Breakdown Voltage	V _{GS} =0V, I _D =250μA	200	--	--	V
ΔBV _{DSS} /ΔT _J	Bvdss Temperature Coefficient	I _D =250uA, Reference 25°C	--	0.25	--	V/°C
I _{DSS}	Drain to Source Leakage Current	V _{DS} =200V, V _{GS} = 0V, T _J = 25°C	--	--	1	μA
		V _{DS} =160V, V _{GS} = 0V, T _J = 125°C	--	--	100	μA
I _{GSS(F)}	Gate to Source Forward Leakage	V _{GS} =+30V	--	--	100	nA
I _{GSS(R)}	Gate to Source Reverse Leakage	V _{GS} =-30V	--	--	-100	nA



ON Characteristics						
Symbol	Parameter	Test Conditions	Values			Units
			Min.	Typ.	Max.	
$R_{DS(ON)}$	Drain-to-Source On-Resistance	$V_{GS}=10V,$ $I_D=7.5A(\text{Note4})$	--	0.13	0.18	Ω
$V_{GS(TH)}$	Gate Threshold Voltage	$V_{DS} = V_{GS},$ $I_D = 250\mu A(\text{Note4})$	2.0	--	4.0	V
g_{fs}	Forward Transconductance	$V_{DS}=15V,$ $I_D=9A(\text{Note4})$	--	12	--	S
Dynamic Characteristics						
Symbol	Parameter	Test Conditions	Values			Units
			Min.	Typ.	Max.	
R_g	Gate resistance	$f = 1.0\text{MHz}$	--	2	--	Ω
C_{iss}	Input Capacitance	$V_{GS} = 0V$ $V_{DS} = 25V$ $F = 1.0\text{MHz}$	--	1320	--	PF
C_{oss}	Output Capacitance		--	450	--	
C_{rss}	Reverse Transfer Capacitance		--	130	--	

Switching Characteristics						
Symbol	Parameter	Test Conditions	Values			Units
			Min.	Typ.	Max.	
$t_{d(ON)}$	Turn-on Delay Time	$I_D = 18A$ $V_{DD} = 100V$ $V_{GS} = 10V$ $R_G = 20\Omega$	--	15	--	ns
T_r	Rise Time		--	52	--	
$t_{d(OFF)}$	Turn-Off Delay Time		--	46	--	
t_f	Fall Time		--	37	--	
Q_g	Total Gate Charge	$I_D = 18A$ $V_{DD} = 160V$ $V_{GS} = 10V$	--	23	--	nC
Q_{gs}	Gate to Source Charge		--	8	--	
Q_{gd}	Gate to Drain ("Miller") Charge		--	6	--	

Source-Drain Diode Characteristics						
Symbol	Parameter	Test Conditions	Values			Units
			Min	Typ.	Max.	
I_s	Continuous Source Current (Body Diode)	$T_c=25^\circ C$	--	--	18	A
I_{SM}	Maximum Pulsed Current (Body Diode)		--	--	72	A



迈诺斯科技

MDT18N20

V _{SD}	Diode Forward Voltage	I _S =18A, V _{GS} =0V(Note4)	--	--	1.2	V
T _{rr}	Reverse Recovery Time	I _S =18A, T _J = 25°C	--	350	--	ns
Q _{rr}	Reverse Recovery Charge	dI _F /dt=100A/us, V _{GS} =0V	--	3600	--	nC

Note1: Pulse width limited by maximum junction temperature

Note2: L=2.7mH, V_{Ds}=50V, Start T_J=25°C

Note3: I_{SD} =18A, di/dt ≤100A/us, V_{DD}≤BV_{DS}, Start T_J=25°C

Note4: Pulse width t_p≤300μs, δ≤2%

Figure 4 Typical Output Characteristics

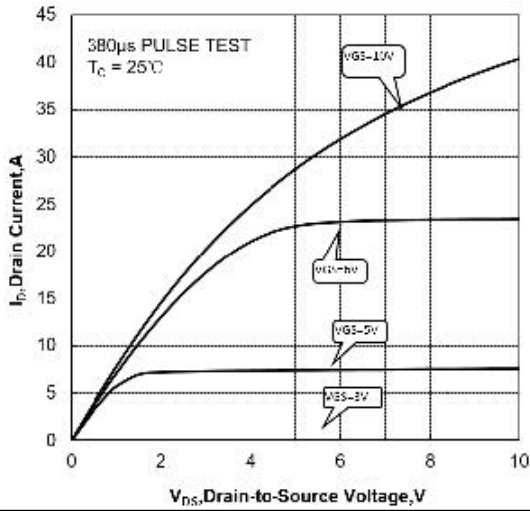


Figure 5 Typical Transfer Characteristics

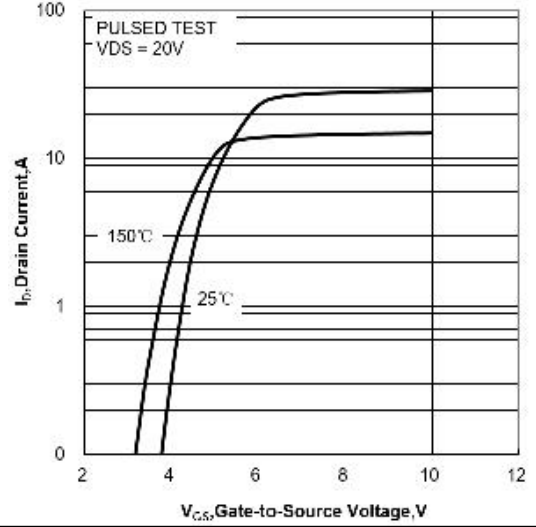


Figure 6 Typical Drain to Source ON Resistance vs Drain Current

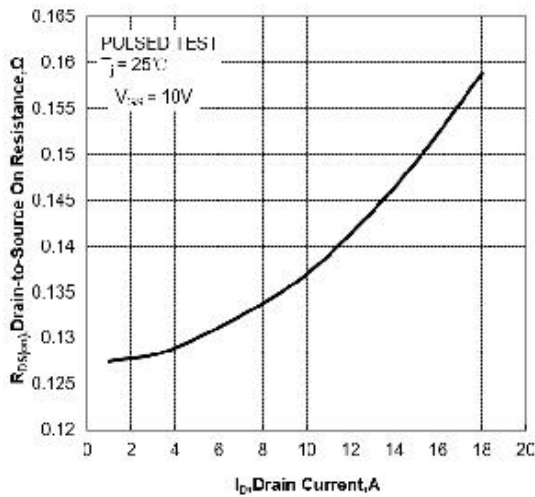


Figure 7 Typical Drain to Source on Resistance vs Junction Temperature

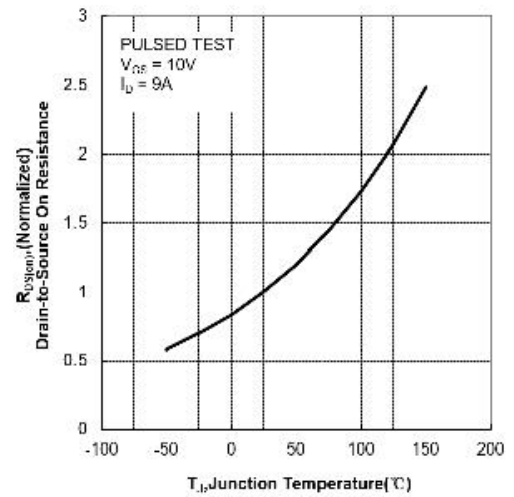


Figure 8 Typical Theshold Voltage vs Junction Temperature

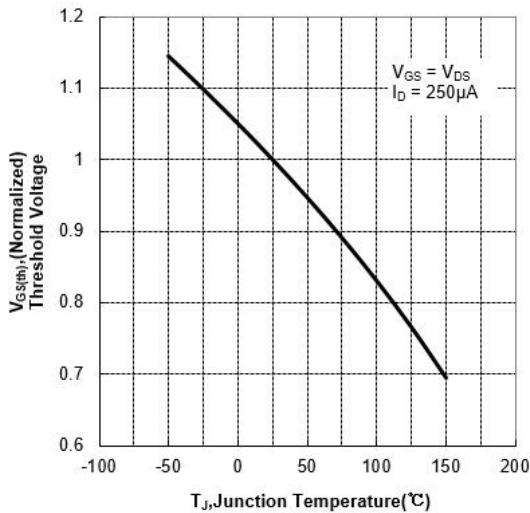


Figure 9 Typical Breakdown Voltage vs Junction Temperature

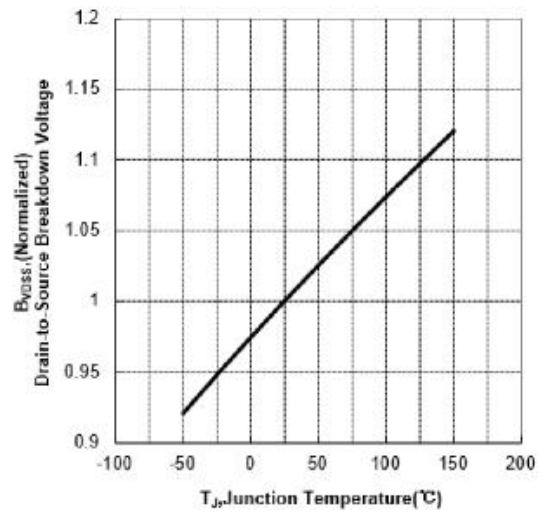


Figure 10 Capacitance Characteristics

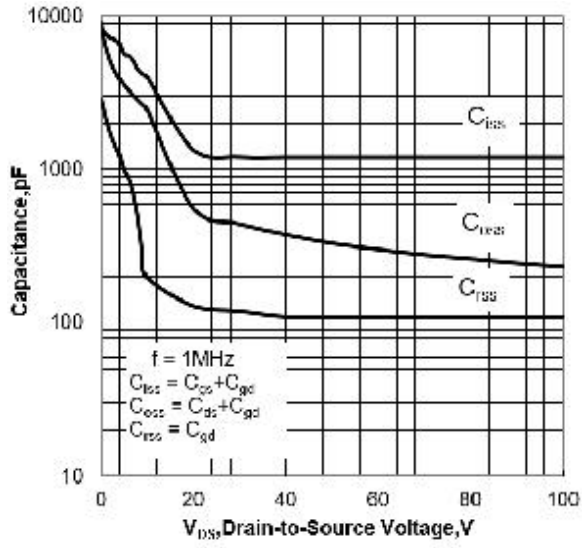
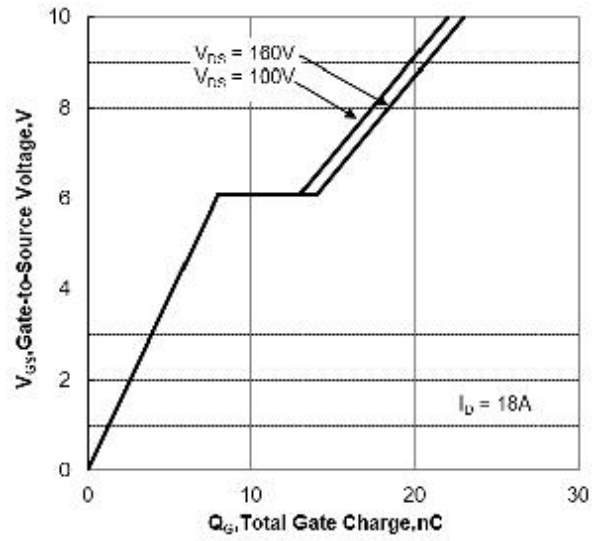


Figure 11 Gate Charge Characteristics



Test Circuit and Waveform

Figure 12 Gate Charge Test Circuit

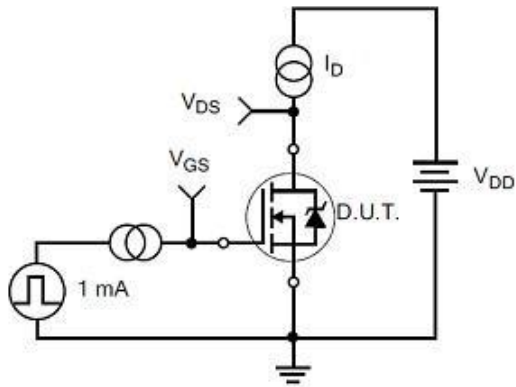


Figure 13 Gate Charge Waveforms

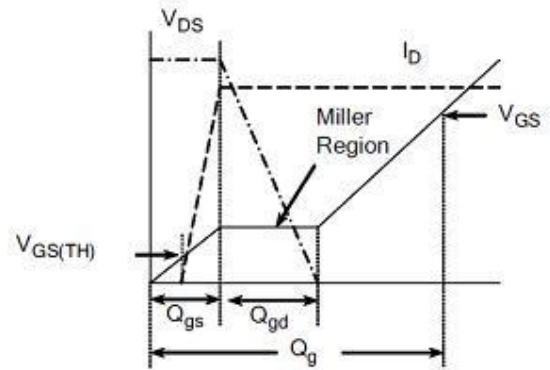


Figure 14 Resistive Switching Test Circuit

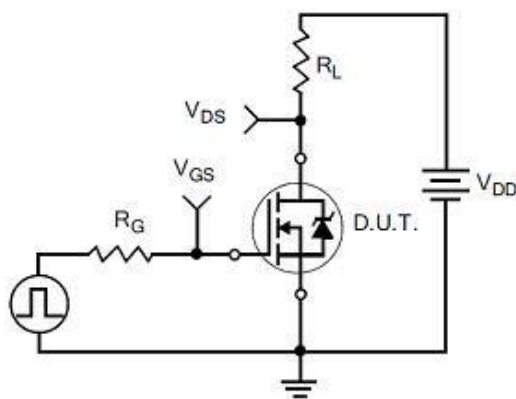


Figure 15 Resistive Switching Waveforms

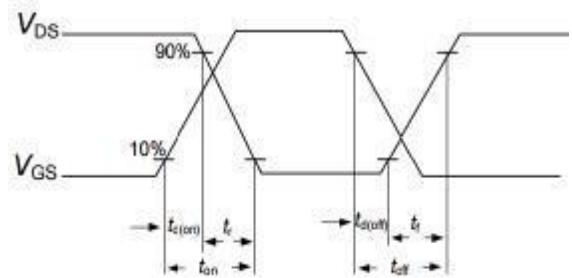


Figure 16 Diode Reverse Recovery Test Circuit

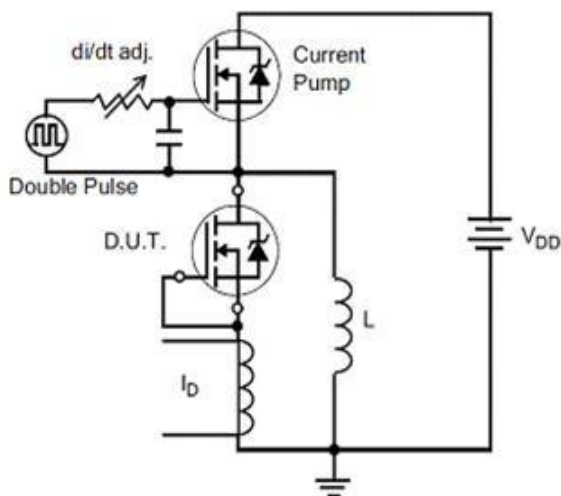


Figure 17 Diode Reverse Recovery Waveform

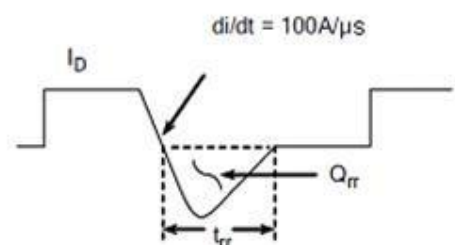
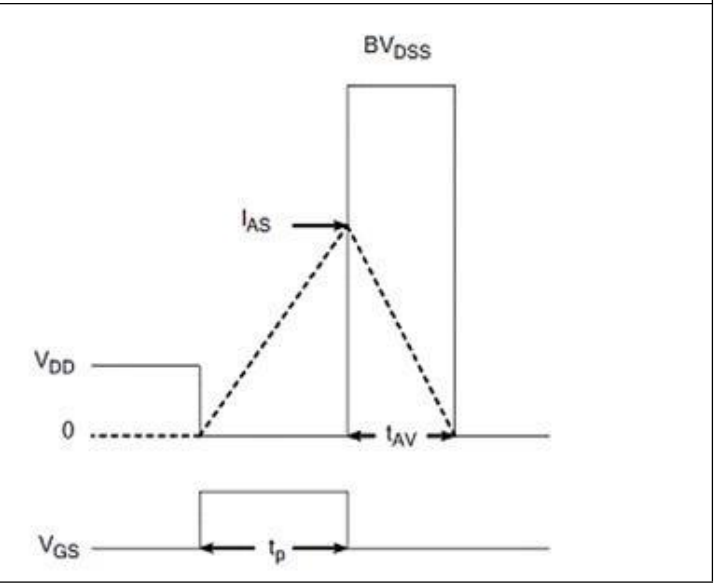
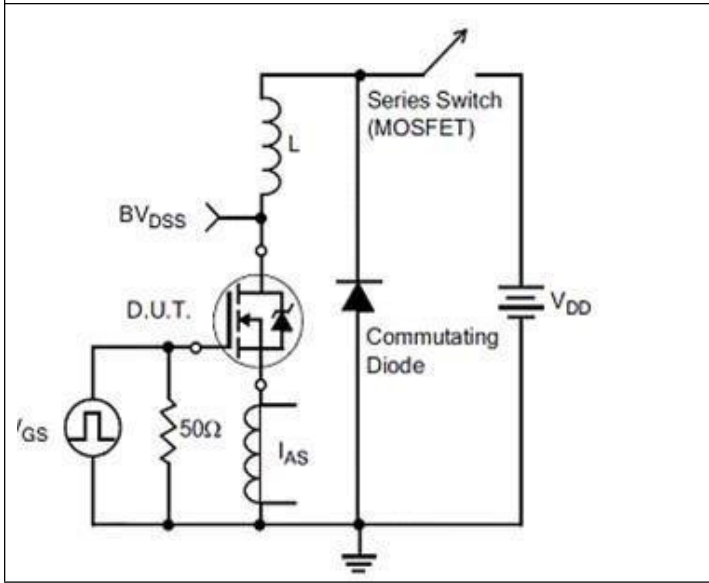
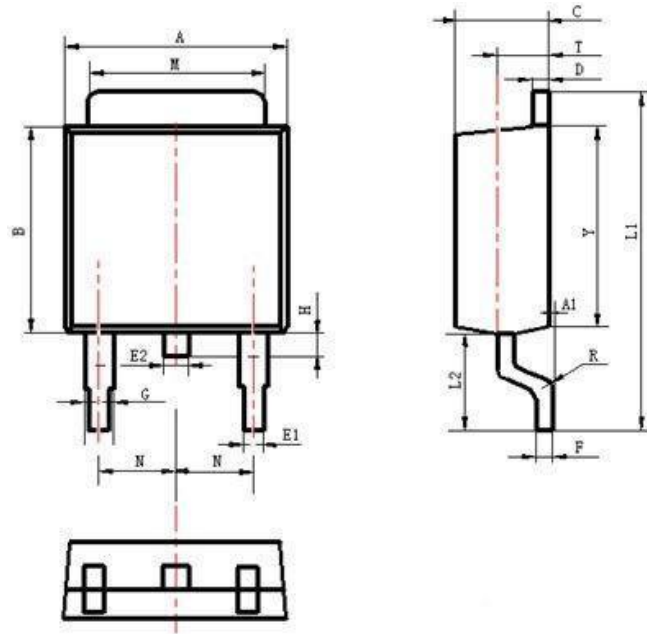


Figure 18 Unclamped Inductive Switching Test Circuit

Figure 19 Unclamped Inductive Switching Waveform



Package Description



Items	Values(mm)	
	MIN	MAX
A	6.30	6.90
A1	0	0.13
B	5.70	6.30
C	2.10	2.50
D	0.30	0.60
E1	0.60	0.90
E2	0.70	1.00
F	0.30	0.60
G	0.70	1.20
L1	9.60	10.50
L2	2.70	3.10
H	0.60	1.00
M	5.10	5.50
N	2.09	2.49
R	0.3	
T	1.40	1.60
Y	5.10	6.30

TO-252 Package



NOTE:

1. Exceeding the maximum ratings of the device in performance may cause damage to the device, even the permanent failure, which may affect the dependability of the machine. Please do not exceed the absolute maximum ratings of the device when circuit designing.
2. When installing the heat sink, please pay attention to the torsional moment and the smoothness of the heat sink.
3. MOSFETs is the device which is sensitive to the static electricity, it is necessary to protect the device from being damaged by the static electricity when using it.
4. Shenzhen Minos reserves the right to make changes in this specification sheet and is subject to change without prior notice.

CONTACT:

深圳市迈诺斯科技有限公司（总部）

地址：深圳市福田区华富街道田面社区深南中路4026号田面城市大厦22B-22C

邮编：518025

电话：0755-83273777