



WS2811

Signal line 256 Gray level 3 channel Constant current LED driver IC

Feature

- OTR, G, B and DOUT port withstand voltage 20V, DIN port withstand voltage 9.5V.
- Built-in voltage-regulator, only a resistor needed to add to VDD pin when under 24V power supply.
- Built-in resistors, DIN and DOUT ports have over-voltage protection. When short circuited to 24V, it will not burn out in a short time.
- 256 Gray-scale adjustable and scan frequency is **4KHz**.
- Built in signal reshaping circuit, to ensure waveform distortion do not accumulate after wave reshaping to the next driver.
- Built-in electrify reset circuit and power-down reset circuit.
- Cascading port transmission signal by single line.
- Any two point the distance less than 4 Meters transmission signal without any increase circuit.
- When the refresh rate is 30fps, the cascade number is at least 1024 pixels.
- Send data at speed of 800Kbps.

Applications

- LED full color decorative lighting, such as LED string, LED strip, LED module etc.
- Indoor/outdoor LED video or irregular screen.
- LED consumer electronics.
- All kinds of LED lighting products.

General description

The WS2811 is 3 output channels special for LED driver circuit. Its internal includes intelligent digital port data latch and signal reshaping amplification drive circuit. Also include a precision internal oscillator and a 12V voltage programmable constant current output drive. In the purpose of reduce power supply ripple, the 3 output channels designed to delay turn-on function.

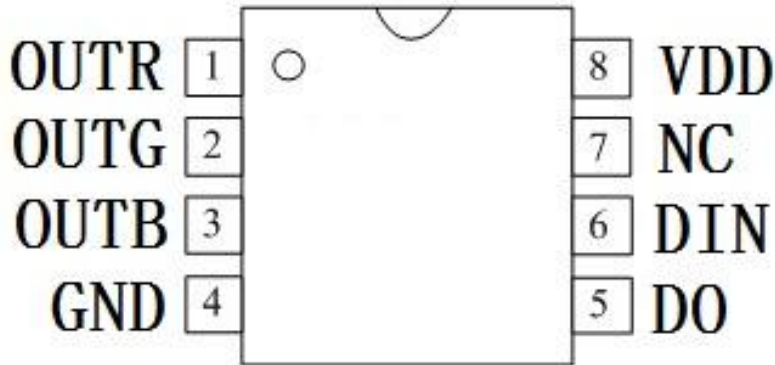
IC use single NZR communication mode. After the chip power-on reset, the DIN port receive data from controller, the first IC collect initial 24bit data then sent to the internal data latch, the other data which reshaping by the internal signal reshaping amplification circuit sent to the next cascade IC through the DO port. After transmission for each chip, the signal to reduce 24bit. IC adopt auto reshaping transmit technology, making the chip cascade number is not limited the signal transmission, only depend on the speed of signal transmission.

The data latch of IC depend on the received 24bit data produce different duty ratio signal at OTR, OUTG, OUTB port. All chip synchronous send the received data to each segment when the DIN port input a reset signal. It will receive new data again After the reset signal finished. Before a new reset signal received, the control signal of OTR ,OUTG, OUTB port unchanged. IC sent PWM data that received justly to OTR, OUTG, OUTB port, after receive a low voltage reset signal the time retain over **280μs**.

There are SOP8, MSOP8 and FSOP8 packages available.



PIN configuration



PIN function

NO.	Symbol	PIN	Function description
1	OUTR	LED Driver Output	Output of RED PWM control
2	OUTG	LED Driver Output	Output of GREEN PWM control
3	OUTB	LED Driver Output	Output of BLUE PWM control
4	GND	Ground	Data & Power Grounding
5	DO	DO	Data Output
6	DIN	Data Input	Control data input
7	NC	NC	NC
8	VDD	Logic power supply	IC power supply

Absolute Maximum Ratings (TA=25°C, V_{SS}=0V)

Parameter	Symbol	Ratings	Unit
Power Supply Voltage	V _{DD}	+3.5~+5.7	V
R/G/B Channel Output Port Withstand Voltage	V _{out}	20	V
Logical Input Voltage	V _I	V _{DD} -0.7~V _{DD} +0.7V	V
Operation Temperature	T _{opt}	-40~+85	°C
Storage Temperature Range	T _{stg}	-40~+105	°C

Electrical Characteristics (TA=25°C, VDD=4.5~5.5V, VSS=0V)

Parameter	Symbol	Min	Tpy	Max	Unit	Conditions
Quiescent Current	I _o	0.2	—	0.5	mA	DC=5V
R/G/B Low level output current	I _{OL}	15.5	16.5	17.5	mA	DC=5V, DIN(FFH)
Single RGB current difference	Dif	0	—	0.8	mA	DC=5V, DIN
Low level output current	I _{dout}	10	—	—	mA	V _o =0.4V, DOUT
Input current	I _I	—	—	±1	μA	V _I =VDD/VSS
High level input	V _{IH}	0.55VDD	—	—	V	D _{IN}
ZLow level input	V _{IL}	—	—	0.3 VDD	V	D _{IN}
Hysteresis voltage	V _H	—	0.35	—	V	D _{IN}

Switching characteristics (TA=25°C, VDD=4.5~5.5V, VSS=0V)

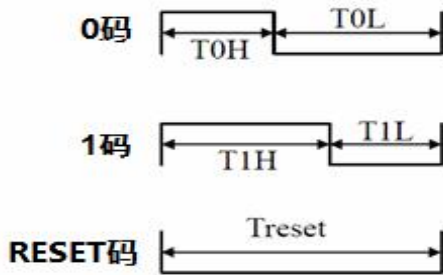
Parameter	Symbol	Min	Tpy	Max	Unit	Condition
Oscillation frequency	F _{osc}	—	800	—	KHz	—
Transmission delay time	T _{PLZ}	—	—	300	ns	CL=15pF, DIN→DOUT, RL=10KΩ
Fall time	T _{THZ}	—	—	120	μs	CL=300pF, OUTR/OUTG/OUTB
Data transmission rate	F _{MAX}	600	—	—	Kbps	Duty ratio 50%
Input capacity	C _I	—	—	15	pF	—

Data Transfer Time

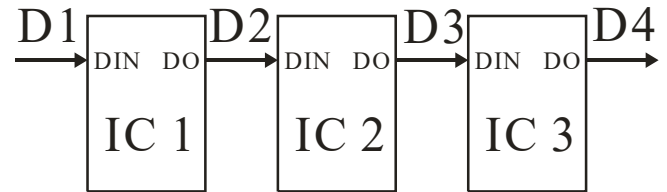
T _{0H}	0 code, high voltage time	220ns~380ns
T _{1H}	1 code, high voltage time	580ns~1us
T _{0L}	0 code, low voltage time	580ns~1us
T _{1L}	1 code, low voltage time	580ns~1us
RES	Frame unit, low voltage time	>280μs

Timing waveform diagram

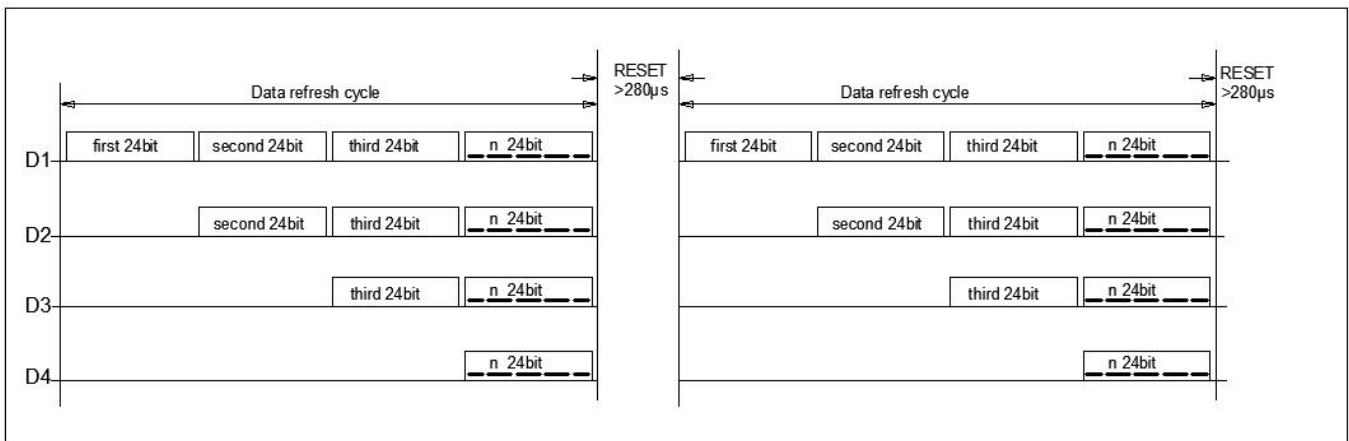
Sequence Chart



Cascade Method



Data Transmission Method



Note: The data of D1 is send by MCU, and D2, D3, D4 through IC internal reshaping amplification to transmit.

Composition of 24bit Data

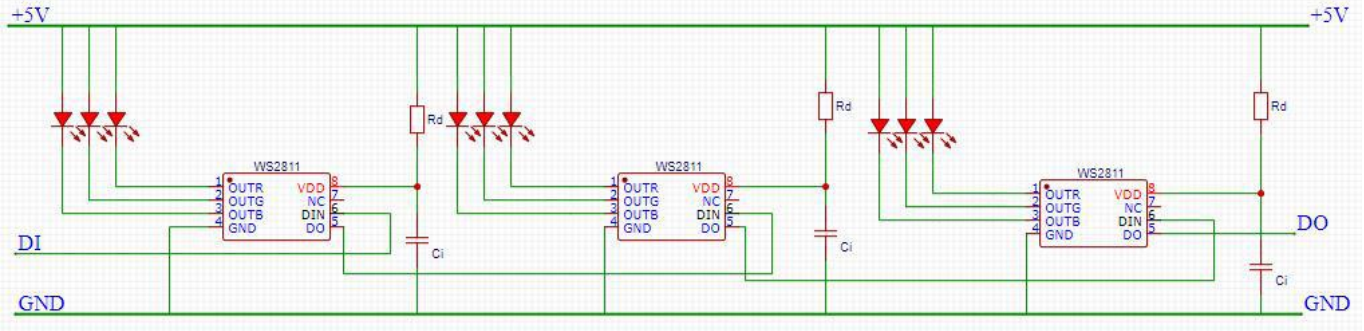
R7	R6	R5	R4	R3	R2	R1	R0	G7	G6	G5	G4	G3	G2	G1	G0	B7	B6	B5	B4	B3	B2	B1	B0
----	----	----	----	----	----	----	----	----	----	----	----	----	----	----	----	----	----	----	----	----	----	----	----

Note: Data transmit in order of RGB, high bit data at first.

Typical Application Circuit

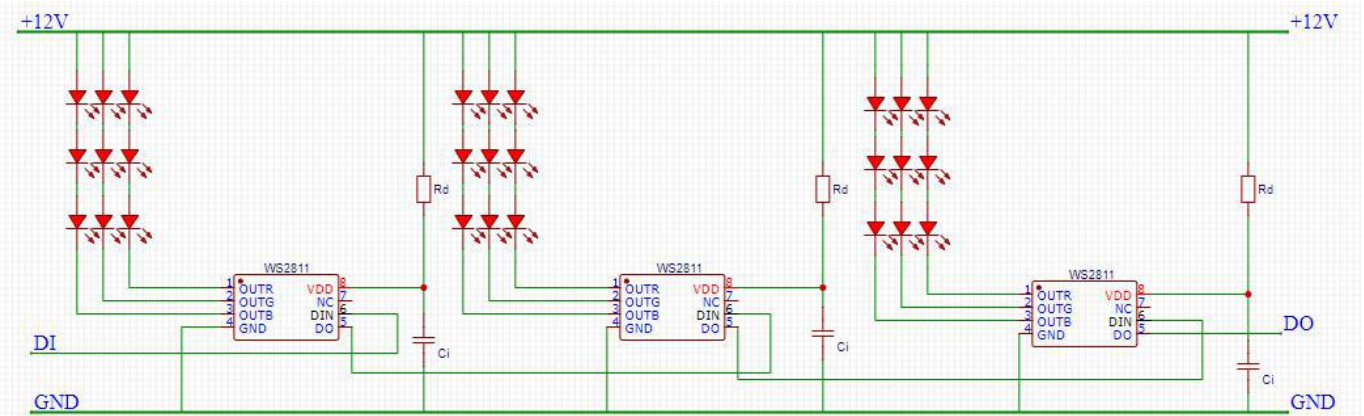
1. Supply voltage=5V (1 LED for each channel)

The recommended value of R_d is 150R, the recommended value of C_i is 1uf.



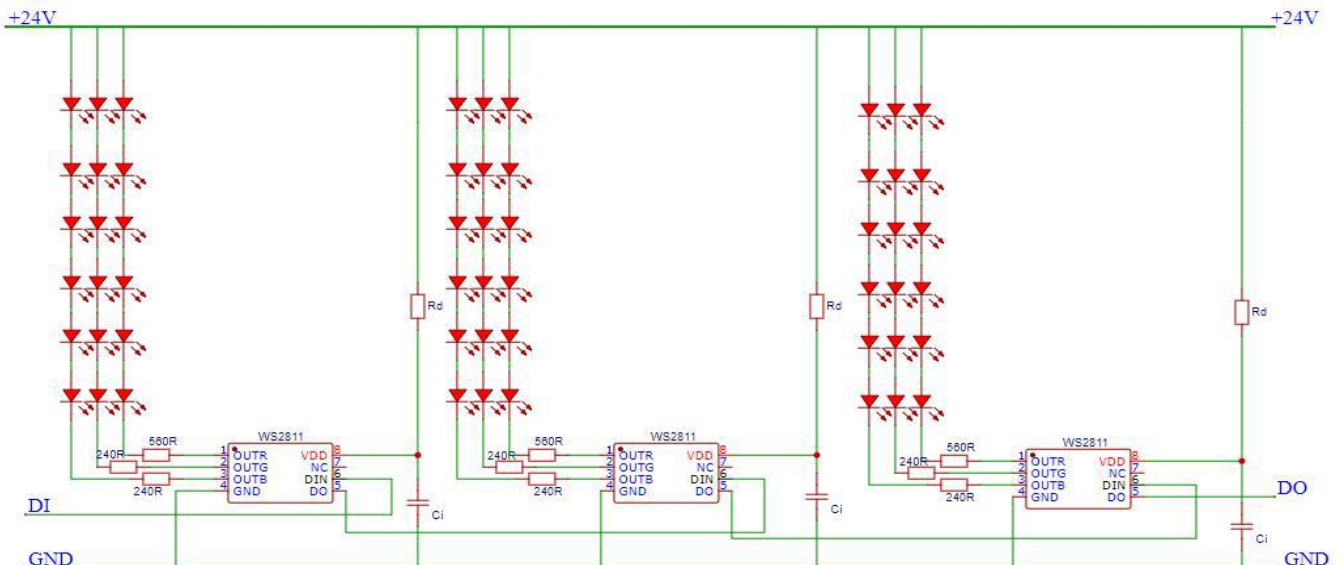
2. Supply voltage=12V(3 LED for each channel)

The recommended value of R_d is 4.7K, the recommended value of C_i is 1uf (If C_i adopts 100nf, $R_d=3.3k$).



3. Supply voltage=24V(6 LED for each channel)

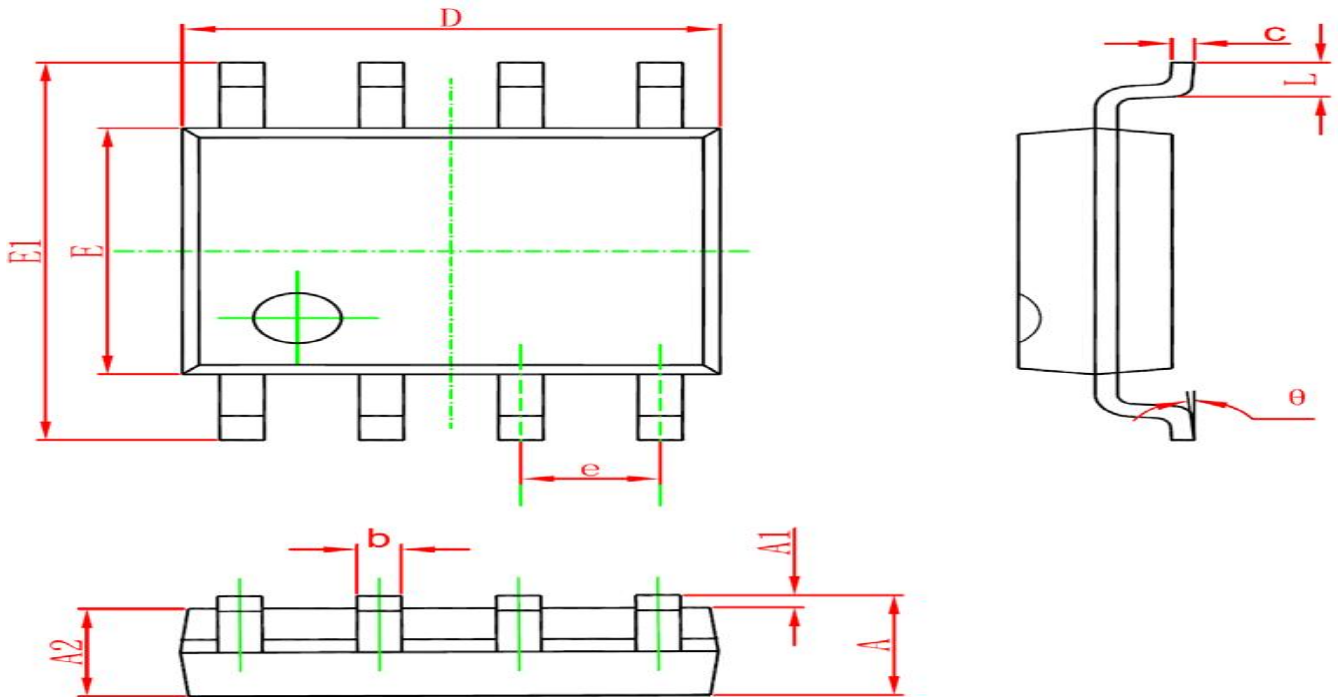
The recommended value of R_d is 10K, the recommended value of C_i is 1uf (If C_i adopts 100nf, $R_d=7.5k$).





Package information

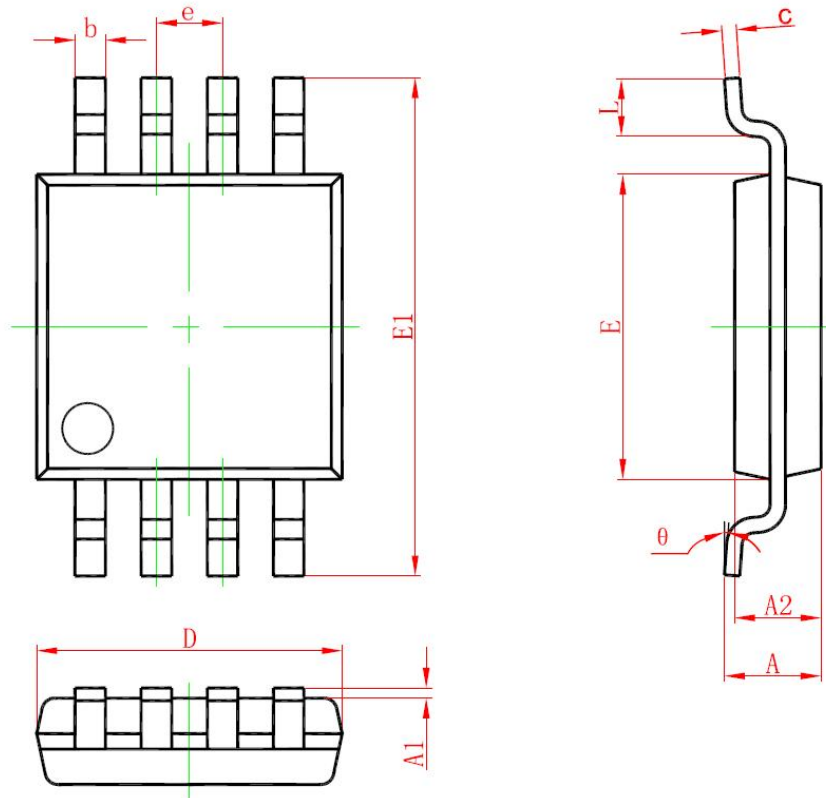
- SOP8 Package



Symbol	Dimensions In Millimeters		Dimensions In Inches	
	Min	Max	Min	Max
A	1.350	1.750	0.053	0.069
A1	0.100	0.250	0.004	0.010
A2	1.350	1.550	0.053	0.061
b	0.330	0.510	0.013	0.020
c	0.170	0.250	0.006	0.010
D	4.700	5.100	0.185	0.200
E	3.800	4.000	0.150	0.157
E1	5.800	6.200	0.228	0.244
e	1.270		0.050	
L	0.400	1.270	0.016	0.050
θ	0°	8°	0°	8°



- MSOP8 Package



Symbol	Dimensions In Millimeters		Dimensions In Inches	
	Min	Max	Min	Max
A	0.820	1.100	0.032	0.043
A1	0.020	0.150	0.001	0.006
A2	0.750	0.950	0.030	0.037
b	0.250	0.380	0.010	0.015
c	0.090	0.230	0.004	0.009
D	2.900	3.100	0.114	0.122
e	0.650(BSC)		0.026(BSC)	
E	2.900	3.100	0.114	0.122
E1	4.750	5.050	0.187	0.199
L	0.400	0.800	0.016	0.031
theta	0°	6°	0°	6°

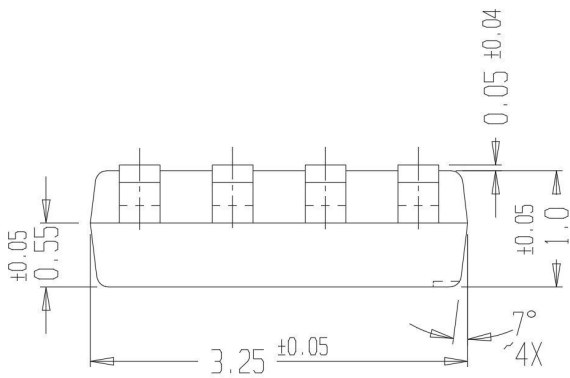
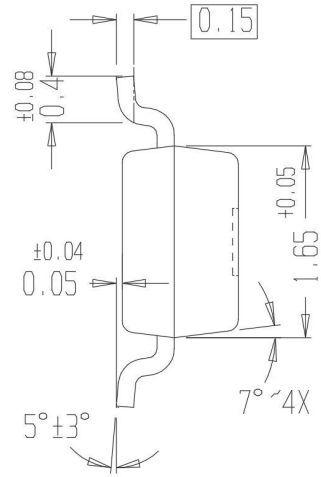
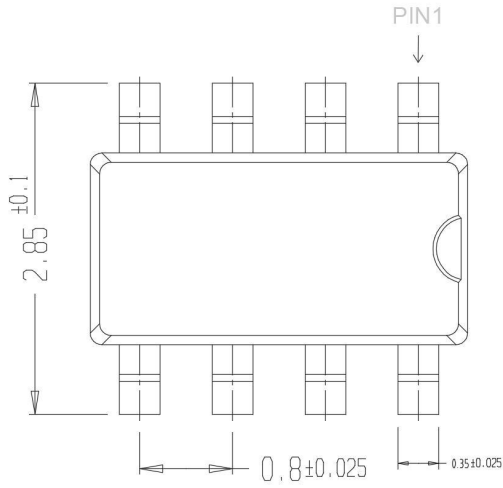


Worldsemi

WS2811

Signal line 256 Gray level 3 channel
Constant current LED driver IC

● FSOP8 Package



Modify Records

Version №	Status Bar	Modify Content Summary	Date	Reviser	Approved
V1.0	N	New	20170524	Shen JinGuo	Yin HuaPing
V1.1	M	Absolute Maximum Ratings	20171014	Shen JinGuo	Yin HuaPing
V1.2	M	Switching characteristics	20171108	Shen JinGuo	Yin HuaPing
V1.3	M	Maximum ratings, Data transfer time, Main feature, General description	20180207	Shen JinGuo	Yin HuaPing
V1.4	M	Logical Input Voltage, T1L timing	20180910	Shen JinGuo	Yin HuaPing
V1.5	M	Typical Application Circuit(Add 24V application circuit)	20190920	Shen JinGuo	Yin HuaPing
V1.6	M	RGB port 12V full voltage withstand test, Dif test added	20211231	Yu XingHui	Yin HuaPing
V2.0	M	Drive IC upgrading	20221010	Yu XingHui	Yin HuaPing
V2.1	M	Add FSOP8 package	20221111	Yu XingHui	Yin HuaPing
V2.1.1	M	Added quiescent current description and FSOP package updated.	20230526	Hu Jin	Yin HuaPing

Remarks: Initial version: V1.0; Version number plus "0.1" after each revision;

Status bar: N--New, A--Add, M--Modify, D--Delete.