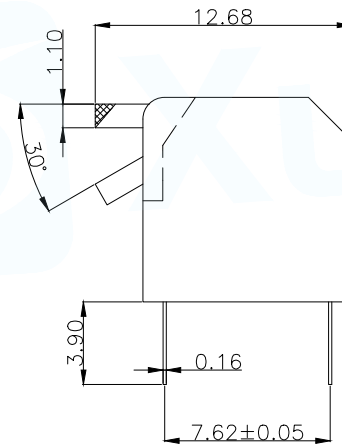


[P.C.B.LAYOUT]



[Schematic]

NOTES:

1.MECHANICAL:

- 1>.Operation force: 1000gf Max.
- 2>.Operation Temperature: -30℃ to +85℃.
- 3>.Storage Temperature: -40℃ to +85℃.
- 4>.Mechanical Life: 3000 cycles operations.
- 5>.Resistance to Soldering: 260±5℃ for 3-5 Seconds.
- 6>.Please keep switch in "OFF" when welding.

2.MATERIAL:

- 1>.Base: UL94V-0 PBT Thermoplastic / Color:Black.
- 2>.COVER: UL94V-0 PBT Thermoplastic / Color:Red, Black, Blue.
- 3>.ACTUATOR: UL94V-0 PBT High Thermoplastic / Color: White.
- 4>.TERMINAL: Copper alloy with gold plating for1.5u".

3.ELECTRICAL:

- 1>.Non-switching Rating:100mA at 50VDC.
- 2>.Switching Rating: 25mA at 24VDC.
- 3>.Contact Resistance: Inital 50mΩ Max.  
Contact Resistance: After life 100mΩ Max.
- 4>.Insulation Resistance:100MΩ Min at 500VDC.
- 5>.Dielectric Strength: 500VAC for 60seconds.
- 6>.Switch Capacitance: 5PF Max at 1MHZ.

4.PART NUMBER DESCRIPTION:

DP-XX-B-I

- (包装方式:T=Tube)
- (外壳颜色: R=红色/B=蓝色/K=黑色)
- (开关位数: 01位-----12位)
- (侧拨拨码开关)

5.PACKING: 121pcs/Tube, 3872pcs/Box.

MANUFACTURE DWG		东莞市讯普电子科技有限公司 DongGuan XunPu Electronics Co.,Ltd	
UNLESS OTHERWISE SPECIFIED TOLERANCES		TITLE:PRODUCT Family DP Series Pitch 2.54mm	
DECIMALS:	ANGLES:	PAR	DP-1-B-T
>0±0.05	>0°±0.5°	DWN	
>1±0.10	>5°±1.0°	CHKD	
>10±0.30		APVD	
CUSTOMER COPY		SCALE:1:1	UNIT:MM
		SIZE:A4	UNIT:MM
		SHEET:1F1	REV:A