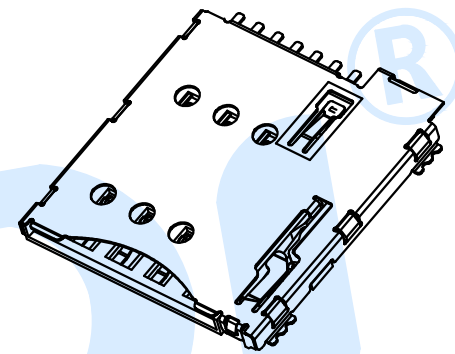
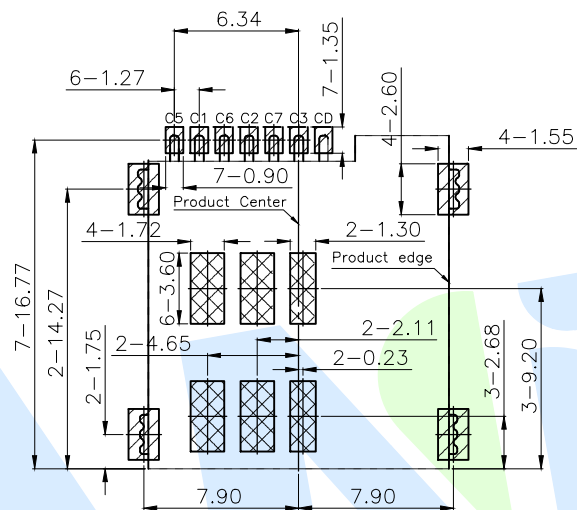
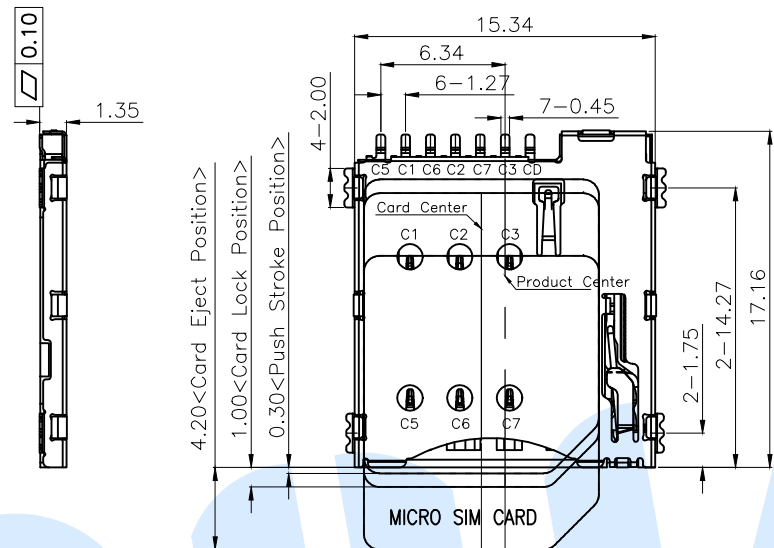


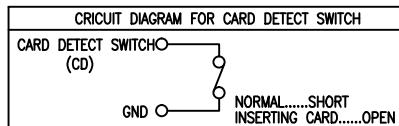
RoHS



Electrical:

Current Rating :0.5mA max.
 Voltage Rating :50V DC MAX
 Ambient Temperature Range :-20°C~+85°C
 Storage Temperature Range :-40°C~+85°C
 Ambient Humidity Range :95% R.H. Max.
 Contact Resistance:100mΩ max.
 Insulation Resistance:1000MΩ min./250V DC
 Dielectric Withstanding Voltage:500V AC
 Mating Cycles:5,000 Insertions
 Temperature: 260°C ±5°

SIM pin	Assignment
PIN#	Name
C1	VCC
C2	RST
C3	CLK
C5	GND
C6	VPP
C7	I/O
CD	Detect Switch



NO.	Name	Number	Qty	Materil	Remarks
⑤	Bullet	1		SUS	
④	Spring	1		SUS	
③	Terminal	7		Phosphor bronze	Sn Plated
②	Cover	1		SUS	Ni Plated
①	Base	1		LCP	Black

YUANDI® Yuandi Electronics Co, Ltd

design	date	name	
Review	date		SIM CARD HOLDER
Approved	date	model	SMD-001-7P

Drawing number: Proportion 1:1 unit mm gage number A4

modify Review Approved Tolerance not specified

angle	±2°
10~30	±0.30
5~10	±0.20
~ 5	±0.10