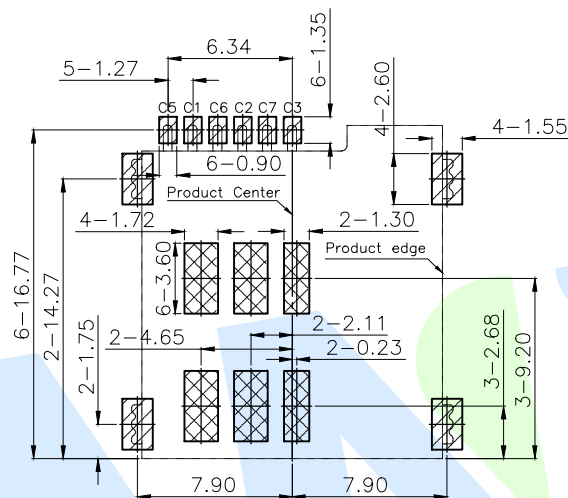
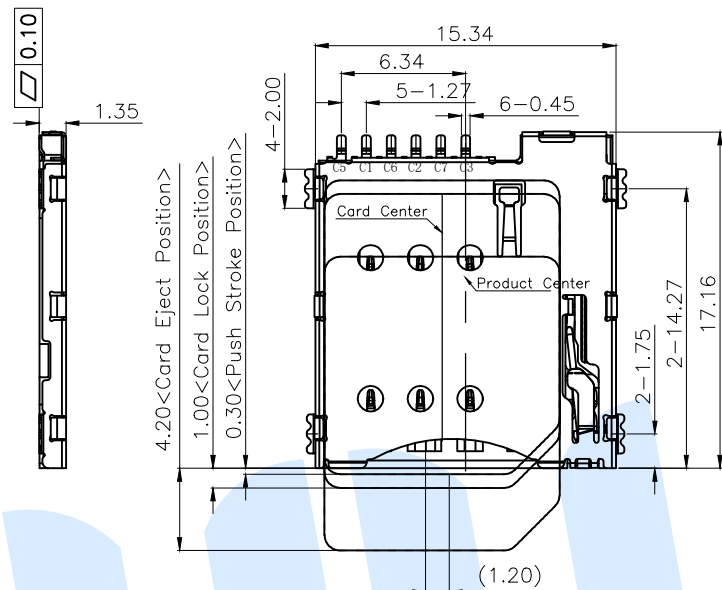


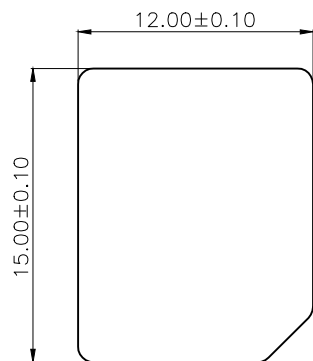
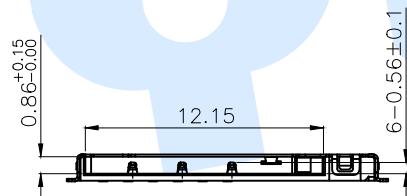
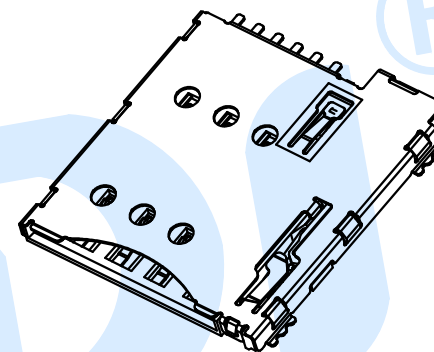
RoHS



RECOMMENDED PCB LAYOUT

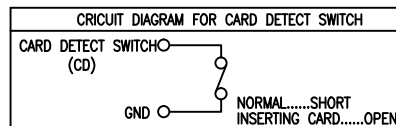
TOLERANCE:  $\pm 0.05$

- SMT SOLDER AREA
- COPPER RESTRICTED AREA
- 1. TOUCH AREA OF CONTACT TIPS NO ELECTRICAL FUNCTION
- 2. NO FIRST PCB LAYOUT CIRCUITS IN THE AREA



MICRO SIM CARD

SIM pin Assignment	
PIN#	Name
C1	VCC
C2	RST
C3	CLK
C5	GND
C6	VPP
C7	I/O



Electrical:

- Current Rating :0.5mA max.
- Voltage Rating :50V DC MAX
- Ambient Temperature Range :-20°C~+85°C
- Storage Temperature Range :-40°C~+85°C
- Ambient Humidity Range :95% R.H. Max.
- Contact Resistance:100mΩ max.
- Insulation Resistance:1000MΩ min./250V DC
- Dielectric Withstanding Voltage:500V AC
- Mating Cycles:5,000 Insertions
- Temperature: 260°C  $\pm 5^\circ$

NO.	Name	Number	Qty	Materil	Remarks
E	Bullet		1	SUS	
D	Spring		1	SUS	
C	Terminal		6	Phosphor bronze	Sn Plated
B	Cover		1	SUS	Ni Plated
A	Base		1	LCP	Black

YUANDI® Yuandi Electronics Co, Ltd

design	date	name	SIM CARD HOLDER
Review	date	model	SMD-001-6P
Approved	date		

Drawing number: Proportion 1:1 unit mm gage number A4

modify Review Approved Tolerance not specified