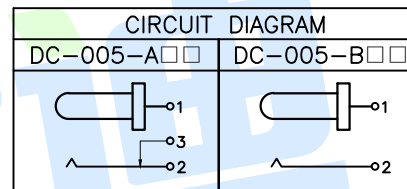
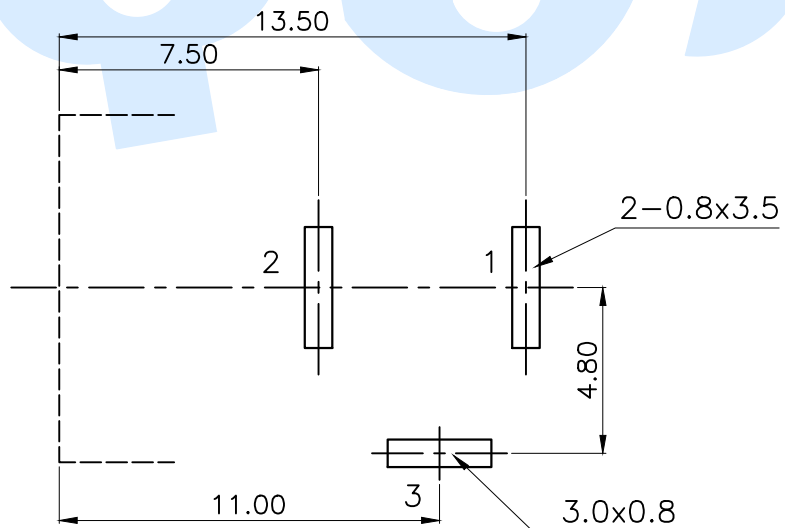
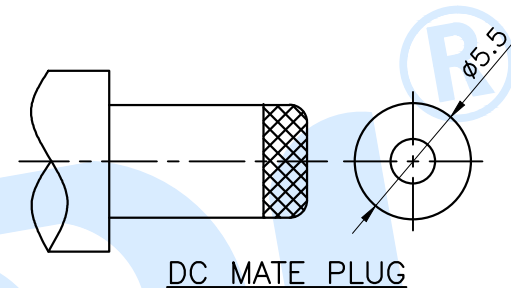
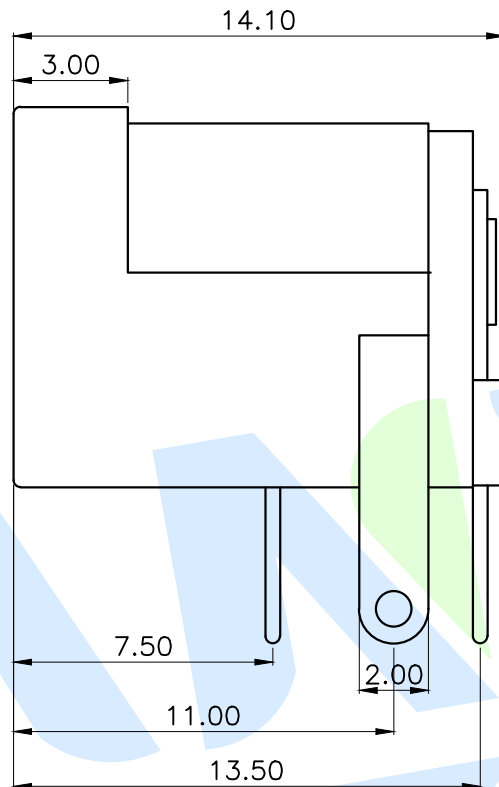
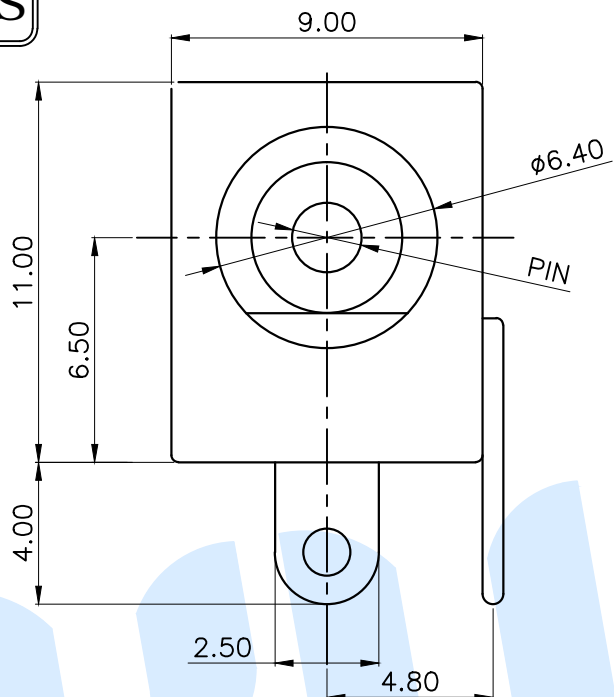


RoHS



| | | |
|-----------|------------|------------|
| Model No. | DC-005-A20 | DC-005-A25 |
| | DC-005-B20 | DC-005-B25 |
| PIN | φ2.0 | φ2.5 |

Rating:2.0A 30V DC
 Contact Resistance:100 mΩ Max.
 Operating temperature:-20 ~70
 Operating force:3-20N
 Operating Life:5,000cycles

| | | | | | |
|-----|----------|--------|-----|-----------------|------------|
| ◎ | Shrapnel | | 1 | Meng Steel | Copper Tin |
| Ⓑ | Terminal | | 2 | Phosphor bronze | Copper Tin |
| Ⓐ | Housing | | 1 | Nylon | Black |
| NO. | Name | Number | Qty | Materil | Remarks |

YUANDI YuanDi Electronics Co, Ltd

| | | | |
|----------|------|-------|------------|
| design | date | name | DC SOCKET |
| Review | date | model | DC-005-□□□ |
| Approved | date | | |

Drawing number: modify Review Approved Tolerance not specified Proportion 1:1 unit mm gage number A4