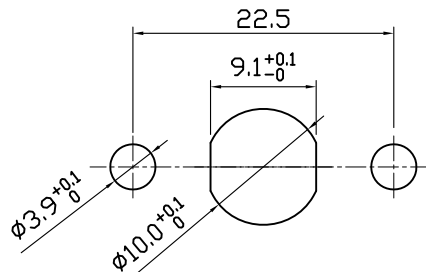
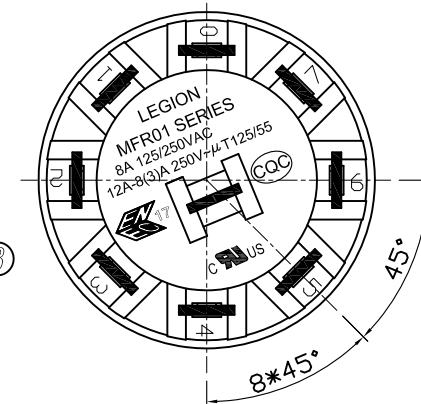
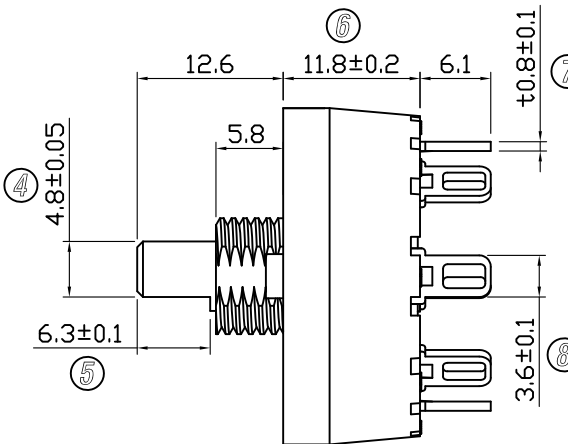
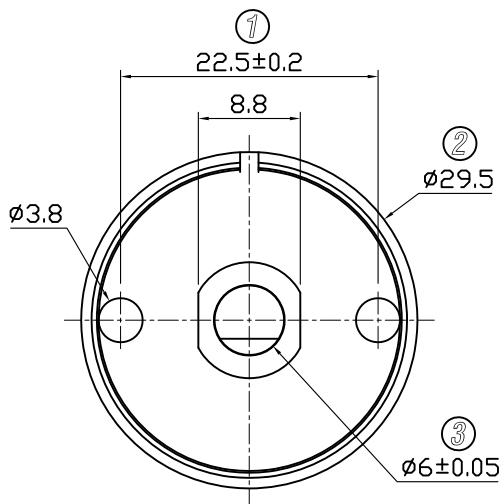
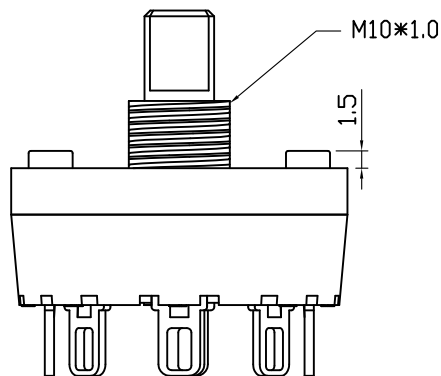


CIRCUIT DESCRIPTION



PANEL CUTOUT



1. 额定值 RATING: 8A 125/250VAC (UL, C-UL)  
12A-8(3)A 250V~μT125/55 (ENEC-17, CQC, CB)
2. 功能 FUNCTIONAL: 见电路图 SEE CIRCUIT DESCRIPTION
3. 接触电阻 CONTACT RESISTANCE: <50mΩ
4. 绝缘电阻 INSULATION RESISTANCE: >100MΩ (500VDC BETWEEN OPEN CONTACTS)
5. 耐电压 DIELECTRIC STRENGTH: >1500VAC 0.5mA 1 MINUTE
6. "○"表示关键尺寸 DENOTES CRITICAL DIMENSIONS
7. 操作力 OPERATION FORCE: 1000±300gf

NO	DESCRIPTION	NO	DESCRIPTION	DIMENSIONAL TOLERANCES		APPROVED	CHECKED	DESIGN	DRAWN	ALL SIZE ARE IN		DRAWING NO.	REV.
				RANGE	TOLERANCE					MM	NO		
5	→	10	→	X	±0.30				LMC	MATERIAL NO.			
4	→	9	→	X.X	±0.20				2019.04.03				
3	→	8	→	X.XX	±0.10					MFR01-A5F00L8BSN-A	WIF120057	A0	
2	→	7	→	ANGLES	±1°	LEGION ELECTRONIC & HARDWARE CO., LTD.							
1	→	6	→										

