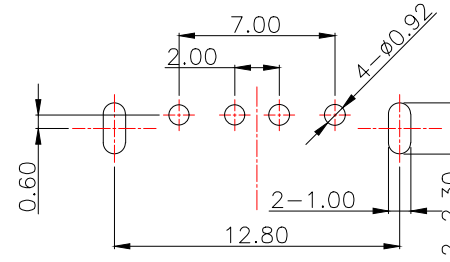
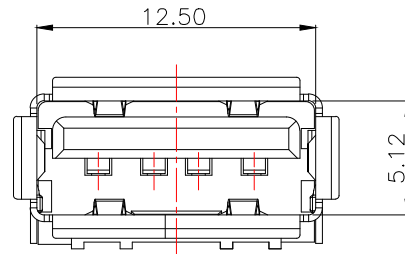
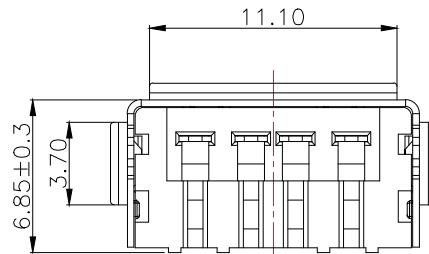
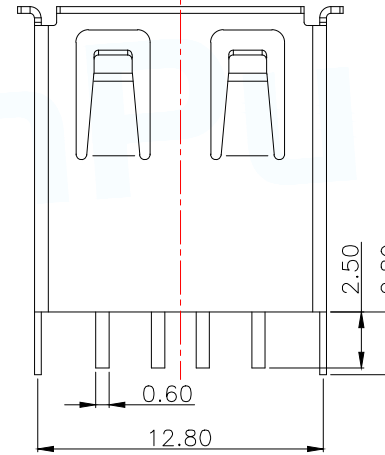
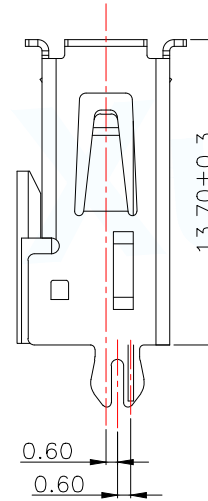
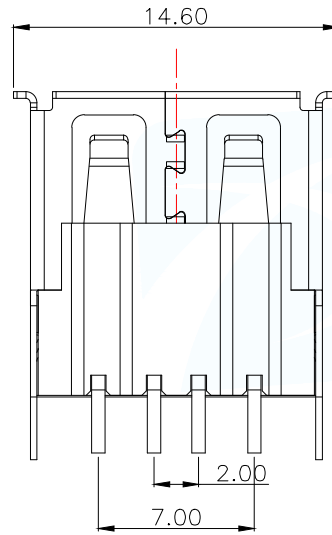
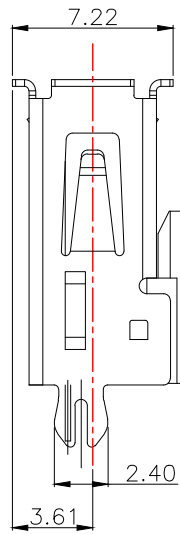


12	13	14	15
MAPX	MODIFICATION	DATE	APPROVE



RECOMMEND P.C.B. LAYOUT



NOTES:

- MATERIAL SPECIFICATION:
 - HOUSING: PBT UL94V-0.
 - COVER: HING THERMOPLASTIC THERMOPLASTIC

- UL94V-0.
- SHELL: COPPER ALLOY/SPCC
T=0.30mm
- CONTACT: COPPER ALLOY
T=0.25mm

2.PLATING:

- CONTACT :
G/F GOLD PLATING ON CONTACT AREA
80~100u".Bright Tin PLATING ON SOLDER TAILS
50u"Min.Nickel UNDERPLATING OVER ALL
- SHELL: 50u"Min.Nickel Underplated Over All

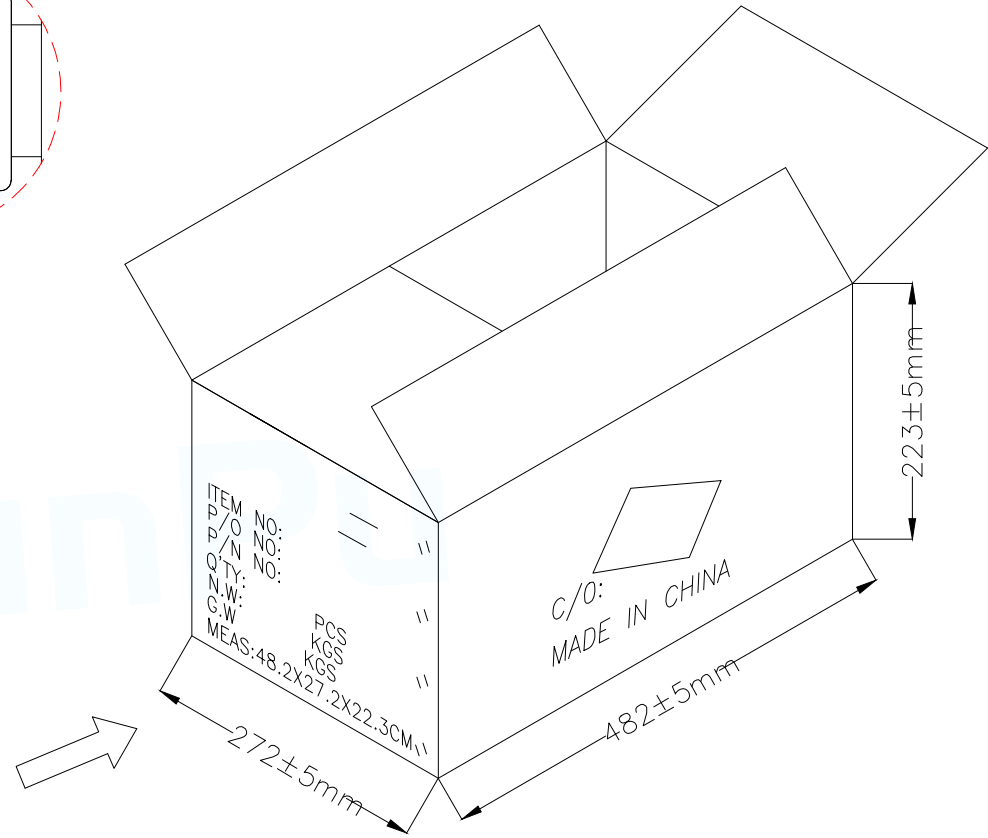
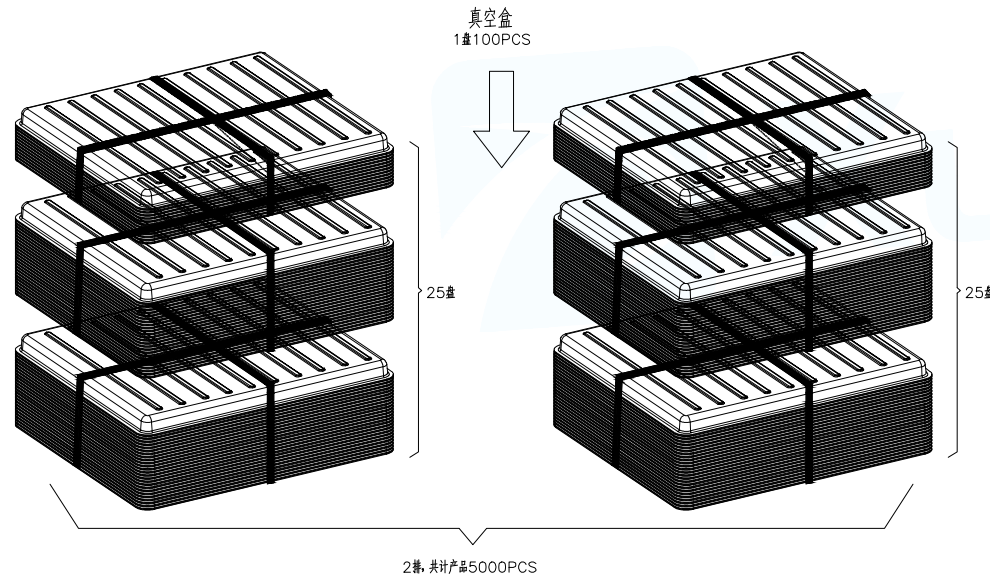
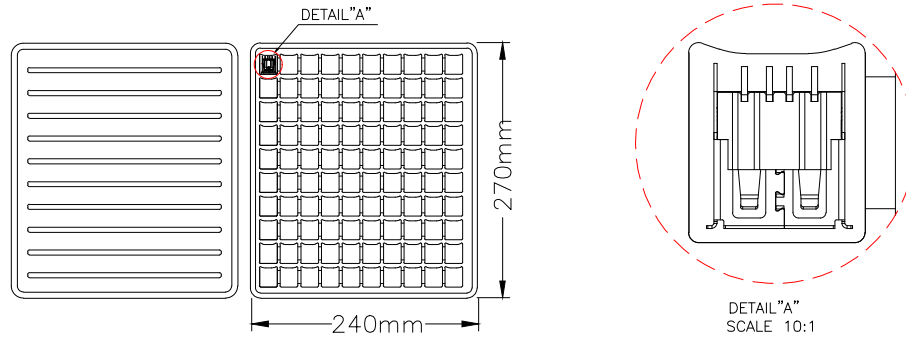
3. ELECTRICAL CHARACTERISTIC:

- CURRENT RATING: 1A;
- INSULATION RESISTANCE: 1000M Ω , MIN;
- CONTACT RESISTANCE: 30m Ω , MAX;
- DIELECTRIC WITHSTANDING VOLTAGE: 500V AC;
- OPERATING TEMPERATURE: -25°C~+85°C

4. MACHINE CHARACTERISTICS:

- MATING FORCE:3.57 Kgf MAX
- UNMATING FORCE:1.02 Kgf MIN.

MANUFACTURE DWG		东莞市讯普电子科技有限公司 DongGuan XunPu Electronics Co.,Ltd	
UNLESS OTHERWISE SPECIFIED TOLERANCES			TITLE: USB A/F 180°半包插板式鱼叉脚13.7
			PAR USB-254-CRYH137
DECIMALS:	ANGLES:		DWN
.X:±0.30	.X':±3°		CHKD
.XX:±0.20	.XX':±2°	APVD	SCALE:1:1 UNIT:MM
.XXX:±0.10		CUSTOMER COPY	SIZE:A4 SHEET:1F1
			REV:A



NOTES:

1. 每盘装产品100PCS.
2. 每10盘为1捆用PE膜缠绕,共4捆;每5盘为1捆用PE膜缠绕,共2捆
每3捆为一组(产品2500PCS)共两组并排放入纸箱内,产品共计5000PCS.
3. 用封箱胶纸封住纸箱中间及两头,在纸箱相应位置贴上出货标签.
4. 真空盒规格:270*240mm
纸箱规格:482*272*223mm

MANUFACTURE DWG		 东莞市讯普电子科技有限公司 DongGuan XunPu Electronics Co.,Ltd	
UNLESS OTHERWISE SPECIFIED TOLERANCES			TITLE: USB A/F 180°半包插板式鱼叉脚13.7
			PAR USB-254-CRYH137
DECIMALS:	ANGLES:		DWN
.X:±0.30	.X':±3°		CHKD
.XX:±0.20	.XX':±2°	APVD	SCALE:1:1 UNIT:MM
.XXX:±0.10		CUSTOMER COPY	SIZE:A4 SHEET:1F1 REV:A