

7	1.4x3.2x4.0 平头半透明绿色发光灯	1	SPCC T=0.5mm	胶体半透明绿色发光灯
6	1.4x3.2x4.0 平头半透明黄色发光灯	1	SPCC T=0.5mm	胶体半透明黄色发光灯
5	RJ45 立式12.7H SMT有灯外壳	1	C2680 T=0.2mm	镍40u"
4	RJ45 立式12.7H接地片	1	C2680 T=0.35mm	镍50u"亮锡100u"
3	RJ45 立式12.7H端子	8	C5191 T=0.35mm	Au/亮锡100u"/NI 50u"
2	RJ45 立式12.7H SMT插芯半成品	1	LCP UL94V-0	BLACK
1	RJ45 立式12.7H无灯有灯主体	1	LCP UL94V-0	BLACK
NO.	PART NAME	Q'TY	MATERIAL	PLATING & COLOR

NOTES

ELECTRICAL

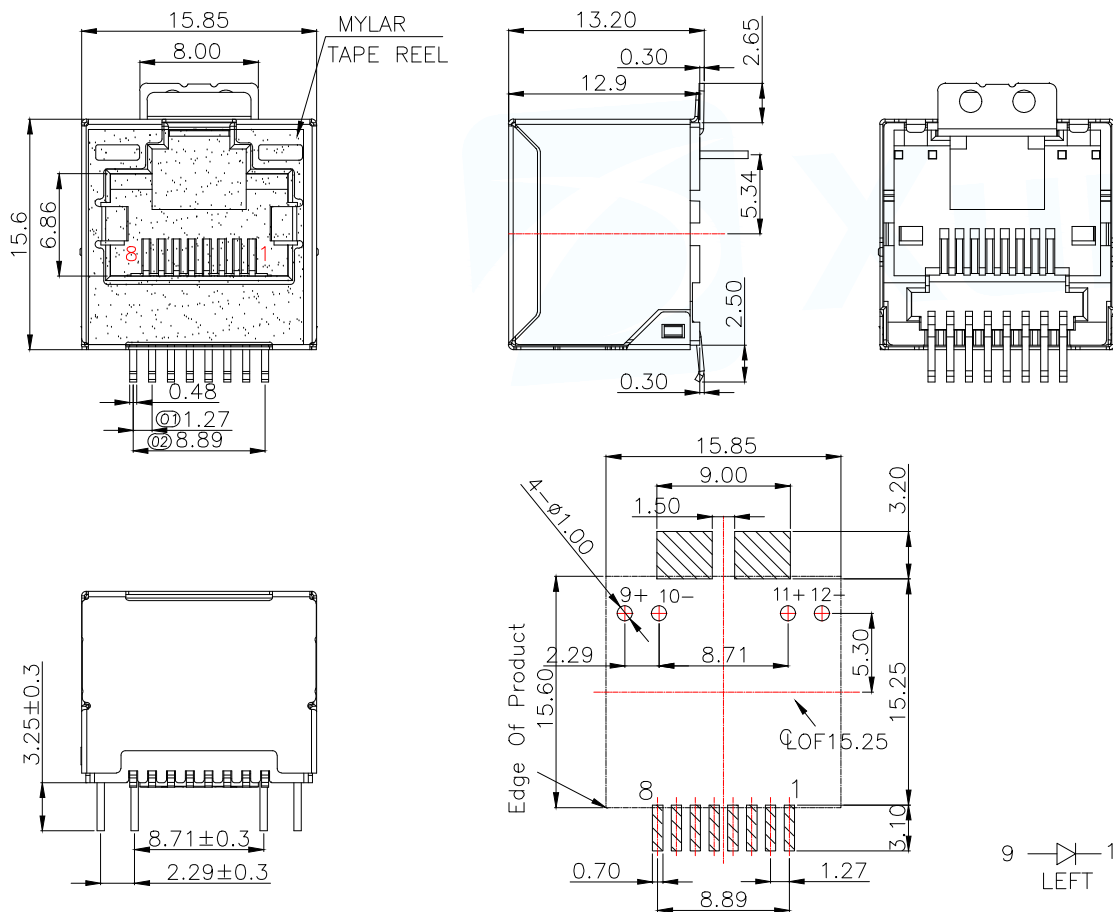
- 1.VOLTAGE RATING: 125 VAC RMS.
- 2.CURRENT RATING: 1.5 AMP.
- 3.CONTACT RESISTANCE: 40 MILLIOHMS MAX.
- 4.INSULATION RESISTANCE: 500 MEGOHMS MIN @ 100V DC .
- 5.DIELECTRIC DIELECTRIC RESISTANCE: 500V DC RMS 50Hz. 1MIN.

MECHANICAL

- 1.DURRABILITY: 750 CYCLES MIN.
2. MATING/UNMATING FORC: 2.24 KG.F MAX.

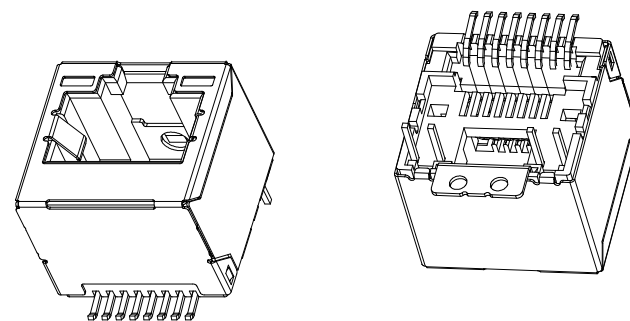
ENVIRONMENTAL:

- 1.OPERATION: -40℃~+85℃.
- 2.STORAGE: -40℃~+85℃.



Standard LED Color	LED Wavelength	Foward(A)	Foward(V)
Green	568nm	20mA	1.85-2.45V
Yellow	585nm	20mA	1.7-2.2V

8	—
7	—
6	RX-
5	—
4	—
3	RX+
2	TX-
1	TX+
PIN	说明



PCBLAYOUT T=1.6
TOL:±0.05

MANUFACTURE DWG		东莞市讯普电子科技有限公司 DongGuan XunPu Electronics Co.,Ltd	
UNLESS OTHERWISE SPECIFIED TOLERANCES			TITLE: RJ45 立式12.7H SMT无灯 有灯有灯
			PAR RJ45-408-050-11
DECIMALS:	ANGLES:		DWN
.X:±0.35	X':±3'		CHKD
.XX:±0.25	.X':±2'	APVD	
.XXX:±0.15	.XX':±1'	CUSTOMER COPY	SCALE:1:1 UNIT:MM
		SIZE:A4	SHEET:1F1
			REV:A