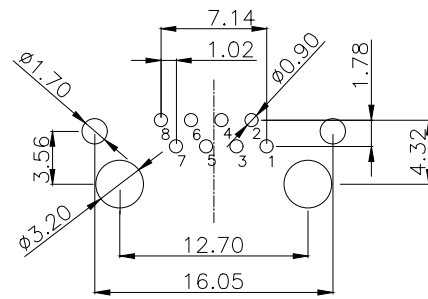
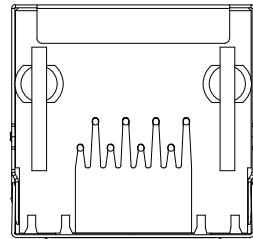
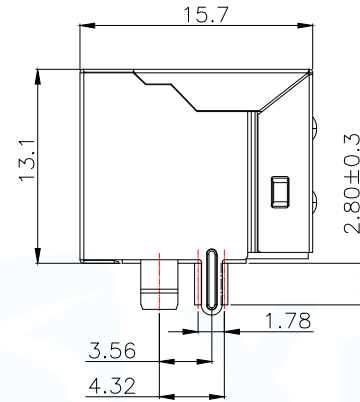
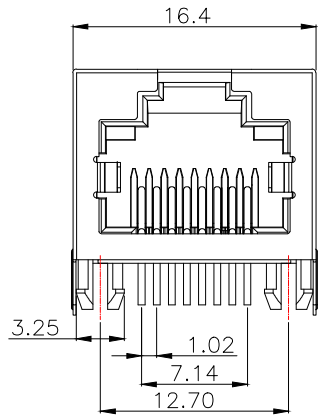


焊脚尺寸以顺畅过孔规为准



PCBLAYOUT T=1.6mm
TOL:±0.05

NOTES

MATERIAL

- 1.HOUSING MATERIAL: GLASS FILLED POLYESTER UL94V-0.
- 2.CONTACT MATERIAL: PHOSPHOR BRONZE $\phi 0.46\text{mm}$.
- 3.PLATING: SELECT GOLD PLATING OVER NICKEL 50u" .
- 4.SHIELD: BRASS T0.20mm 40u" NICKEL PLATED.

ELECTRICAL

- 1.VOLTAGE RATING: 125 VAC RMS.
- 2.CURRENT RATING: 1.5 AMP.
- 3.CONTACT RESISTANCE: 40 MILLIOHMS MAX.
- 4.INSULATION RESISTANCE: 500 MEGOHMS MIN @ 100V DC .
- 5.DIELECTRIC RESISTANCE: 500V DC RMS 50Hz. 1MIN.

MECHANICAL

- 1.DURRABILITY: 750 CYCLES MIN.
- 2.MATING/UNMATING FORC: 2.24 KG.F MAX.

ENVIRONMENTAL:

- 1.STORAGE: $-40^{\circ}\text{c}\sim+85^{\circ}\text{c}$.
- 2.OPERATION: $-40^{\circ}\text{c}\sim+85^{\circ}\text{c}$.

8	—
7	—
6	RX-
5	—
4	—
3	RX+
2	TX-
1	TX+
PIN	说明

MANUFACTURE DWG		 东莞市讯普电子科技有限公司 DongGuan XunPu Electronics Co.,Ltd	
UNLESS OTHERWISE SPECIFIED TOLERANCES			TITLE: RJ45 56 B型无源无灯DIP
			PAR RJ45-202-005-01
DECIMALS:	ANGLES:		DWN
.X:±0.35	X':±3'		CHKD
.XX:±0.25	.X':±2'	APVD	
.XXX:±0.15	.XX':±1'	CUSTOMER COPY	SCALE 1:1 UNIT:MM
		SIZE:A4	UNIT:MM
		SHEET:1F1	REV:A