

NOTES:

1. HOUSING:GLASS FILLED POLYESTER UL94V-0.
2. CONTACT:PHOSPHOR BRONZE T=0.3.
3. PLATING:GOLD PLATED ON CONTACT AREA, 100u"MIN. TIN PLATED ON SOLDERING AREA, 50u"MIN. NICKEL PLATED OVERALL.
4. SHELL:BRASS,T=0.20. WITH NICKEL PLATED.

ELECTRICAL:

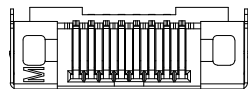
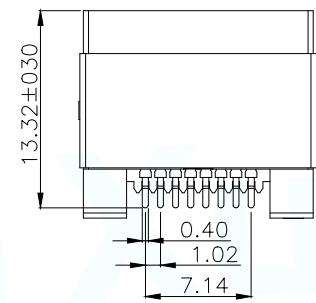
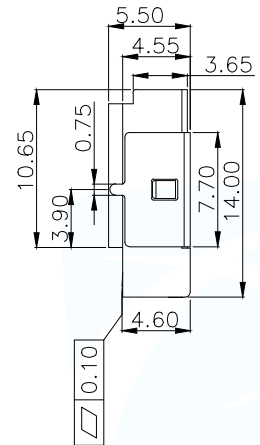
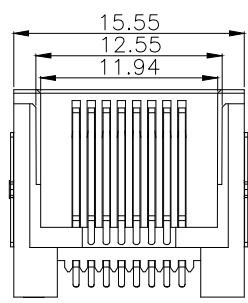
1. VOLTAGE RATING: 125V AC RMS.
2. CURRENT RAIING: 1.5AMP.
3. CONTACT RESISTANCE: 30MILLIOHMS MAX.
4. INSULATION RESISTANCE: 500MEGOHMS MIN @500V DC.

MECHANICAL:

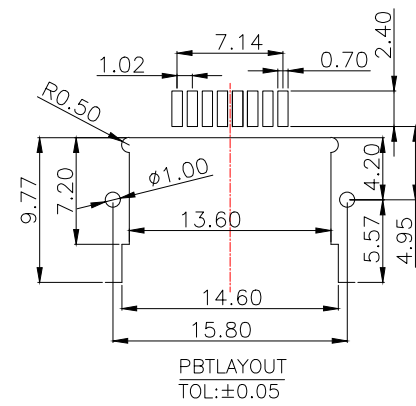
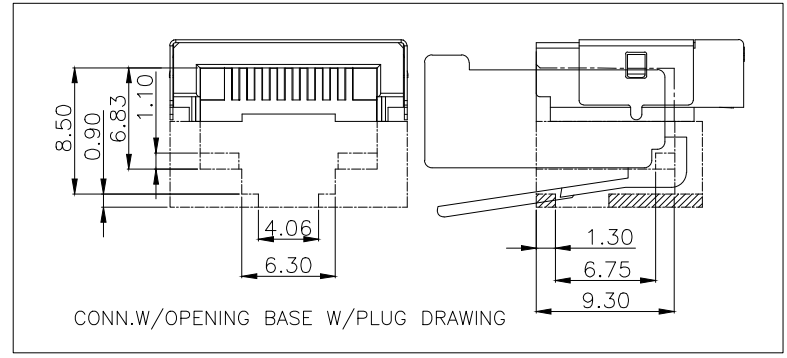
1. DURRABILITY: 750 CYCLES MIN.
2. MATING/UNMATING FORCE: 2.24 KG.F MAX.

ENVIRONMENTAL:

1. STORAGE: -40°C~85°C
 2. OPERATION: -40°C~85°C
 3. REFLOW SOLDERING Temperature,255±5°C.
- *Apply to the EU standards(ROSH)



8	—
7	—
6	RX-
5	—
4	—
3	RX+
2	TX-
1	TX+
PIN	说明



MANUFACTURE DWG		东莞市讯普电子科技有限公司 DongGuan XunPu Electronics Co.,Ltd	
UNLESS OTHERWISE SPECIFIED TOLERANCES		TITLE: RJ45 流板 4.6 SMT	
		PAR	RJ45-107-012-11
DECIMALS:	ANGLES:	DWN	
.X:±0.35	X':±3'	CHKD	
.XX:±0.25	.X':±2'	APVD	
.XXX:±0.15	.XX':±1'	SCALE:1:1	UNIT:MM
		CUSTOMER COPY	SIZE:A4
			SHEET:1F1
			REV:A