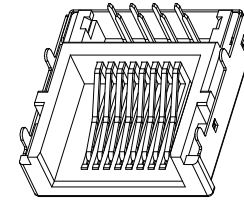


所有脚位尺寸以过孔规为准



NOTES:

1. HOUSING: GLASS FILLED POLYESTER UL94V-0.
2. CONTACT: PHOSPHOR BRONZE T=0.3.
3. PLATING: GOLD PLATED ON CONTACT AREA, 100u"MIN. TIN PLATED ON SOLDERING AREA, 50u"MIN. NICKEL PLATED OVERALL.
4. SHELL: BRASS, T=0.20. WITH NICKEL PLATED.

ELECTRICAL:

1. VOLTAGE RATING: 125V AC RMS.
2. CURRENT RATING: 1.5AMP.
3. CONTACT RESISTANCE: 30MILLIOHMS MAX.
4. INSULATION RESISTANCE: 500MEGOHMS MIN @500V DC.

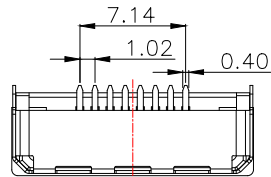
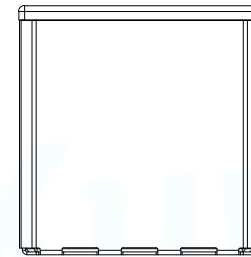
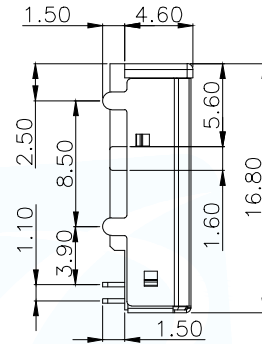
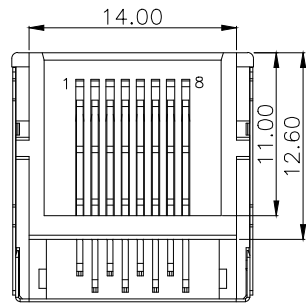
MECHANICAL:

1. DURRABILITY: 750 CYCLES MIN.
2. MATING/UNMATING FORCE: 2.24 KG.F MAX.

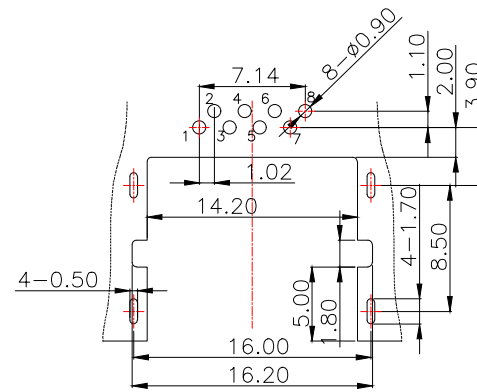
ENVIRONMENTAL:

1. STORAGE: -40°C~85°C
2. OPERATION: -40°C~85°C
3. REFLOW SOLDERING Temperature, 255±5°C.

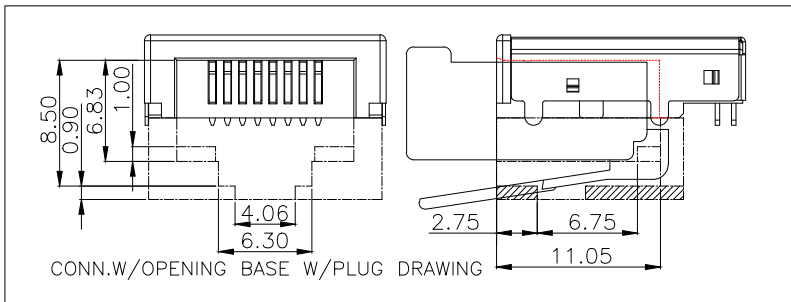
\*Apply to the EU standards(ROSH)



8	—
7	—
6	RX-
5	—
4	—
3	RX+
2	TX-
1	TX+
PIN	说明



PCBLAYOUT  
TOL: ±0.05



MANUFACTURE DWG		东莞市讯普电子科技有限公司 DongGuan XunPu Electronics Co.,Ltd	
UNLESS OTHERWISE SPECIFIED TOLERANCES			TITLE: RJ45 沉板4.6 DIP
			PAR RJ45-107-011-11
DECIMALS:	ANGLES:		DWN
.X:±0.35	X':±3°		CHKD
.XX:±0.25	.X':±2°	APVD	SCALE:1:1
.XXX:±0.15	.XX':±1°	CUSTOMER COPY	UNIT:MM
		SIZE:A4	SHEET:1F1
			REV:A