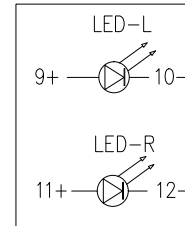
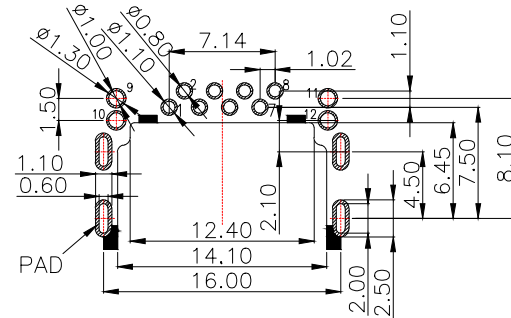
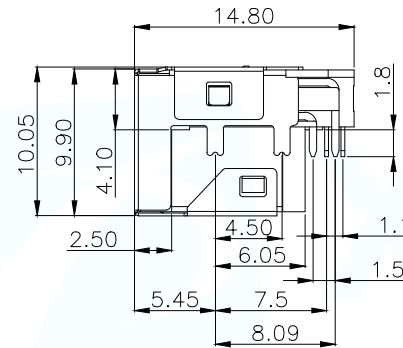
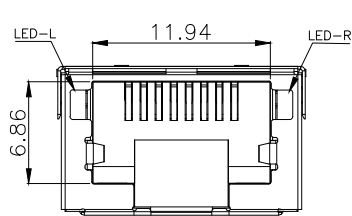
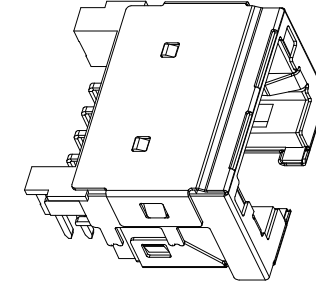
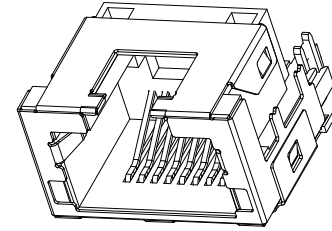
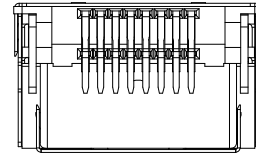
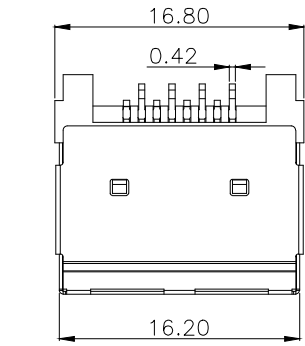


12	13	14	15
MAPX	MODIFICATION	DATE	APPROVE



NOTES

MATERIAL

- 1.HOUSING MATERIAL: LCP BLACK UL94V-0.
 - 2.CONTACT MATERIAL: PHOSPHOR BRONZE T=0.25mm.
 - 3.PLATING: GOLD AND TIN PLATING OVER NICKEL.
 - 4.SHIELD: BRASS WITH NICKEL PLATED.
- ELECTRICAL
- 1.VOLTAGE RATING: 125 VAC RMS.
 - 2.CURRENT RATING: 1.5 AMP.
 - 3.CONTACT RESISTANCE: 40 MILLIOHMS MAX.
 - 4.INSULATION RESISTANCE: 500 MEGOHMS MIN @ 100V DC .
 - 5.DIELECTRIC DIELECTRIC RESISTANCE: 500V DC RMS 50Hz. 1MIN.

MECHANICAL

- 1.DURRABILITY: 750 CYCLES MIN.
2. MATING/UNMATING FORC: 2.24 KG.F MAX.

ENVIRONMENTAL:

- 1.STORAGE: -40℃~+85℃.
- 2.OPERATION: -40℃~+85℃.

PCBLAYOUT T=1.2
TOL:±0.05

壳子脚

焊脚尺寸以顺畅过孔规为准

MANUFACTURE DWG		东莞市讯普电子科技有限公司 DongGuan XunPu Electronics Co.,Ltd	
UNLESS OTHERWISE SPECIFIED TOLERANCES			TITLE: RJ45 9.9H反向沉板4.1有壳有灯DIP
			PAR RJ45-104-002-11
DECIMALS:	ANGLES:		DWN
.X:±0.35	X':±3'		CHKD
.XX:±0.25	.X':±2'	APVD	
.XXX:±0.15	.XX':±1'	CUSTOMER COPY	SCALE 1:1 UNIT:MM
		SIZE:A4	SHEET:1F1
			REV:A