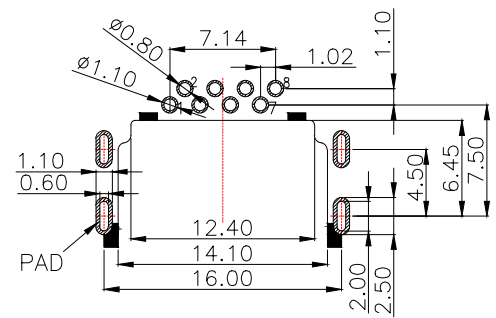
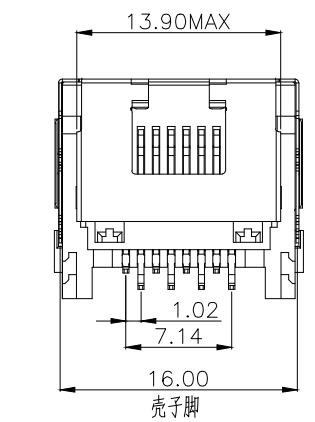
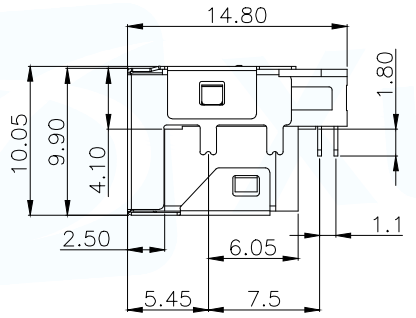
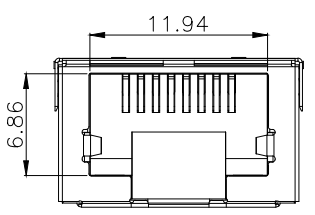
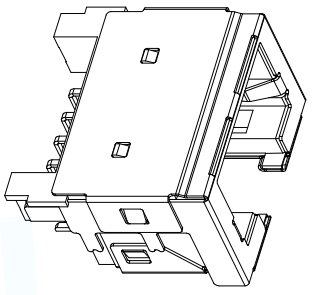
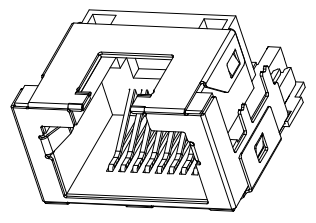
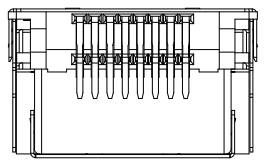
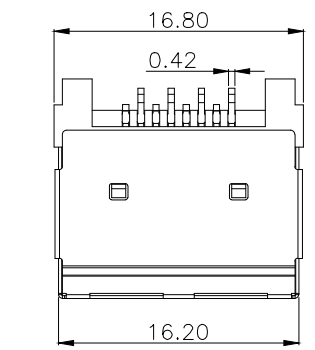


12	13	14	15
MAPX	MODIFICATION	DATE	DRAW



PCBLAOUT T=1.2  
TOL:±0.05

焊脚尺寸以顺畅过孔规为准

NOTES

- MATERIAL
- 1.HOUSING MATERIAL: LCP BLACK UL94V-0.
  - 2.CONTACT MATERIAL: PHOSPHOR BRONZE T=0.25mm.
  - 3.PLATING: GOLD AND TIN PLATING OVER NICKEL.
  - 4.SHIELD: BRASS WITH TIN NICKEL PLATED.
- ELECTRICAL
- 1.VOLTAGE RATING: 125 VAC RMS.
  - 2.CURRENT RATING: 1.5 AMP.
  - 3.CONTACT RESISTANCE: 40 MILLIOHMS MAX.
  - 4.INSULATION RESISTANCE: 500 MEGOHMS MIN @ 100V DC.
  - 5.DIELECTRIC DIELECTRIC RESISTANCE: 500V DC RMS 50Hz. 1MIN.
- MECHANICAL
- 1.DURRABILITY: 750 CYCLES MIN.
  2. MATING/UNMATING FORC: 2.24 KG.F MAX.
- ENVIRONMENTAL:
- 1.STORAGE: -40℃~+85℃.
  - 2.OPERATION: -40℃~+85℃.

MANUFACTURE DWG		 东莞市讯普电子科技有限公司 DongGuan XunPu Electronics Co.,Ltd	
UNLESS OTHERWISE SPECIFIED TOLERANCES			TITLE: RJ45 9.9H反向沉板4.1有壳无灯DIP
			PAR RJ45-104-001-11
DECIMALS:	ANGLES:		DWN
.X:±0.35	X':±3'		CHKD
.XX:±0.25	.X':±2'		APVD
.XXX:±0.15	.XX':±1'	CUSTOMER COPY	SCALE:1:1 UNIT:MM
		SIZE:A4	SHEET:1F1
			REV:A