

NOTES

MATERIAL

- 1.HOUSING MATERIAL:THERMO PLASTICS UL94V-0 .
- 2.CONTACT MATERIAL :PHOSPHOR BRONZE T=0.25mm.  
SELECT GOLD PLATING ON CONTACT AREA AND TIN PLATING ON SOLDER AREA OVER NICKEL.
- 3.SHIELD: STAINLESS T=0.20mm NI PLATING.
- 4.GASKET :SPCC T=0.40 NI PLATING.
- 5.LED:TIN PLATING.

MELECTRICAL

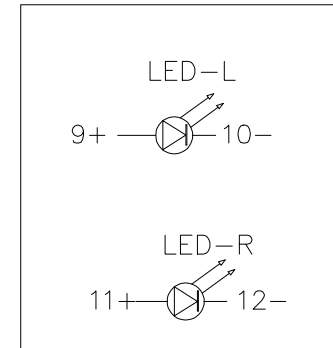
- 1.VOLTAGE RATING: 125 VAC RMS.
- 2.CURRENT RATING: 1.5 AMP.
- 3.CONTACT RESISTANCE: 40 MILLIOHMS MAX.
- 4.INSULATION RESISTANCE: 500 MEGOHMS MIN @ 100V DC .
- 5.DIELECTRIC DIELECTRIC RESISTANCE: 500V DC RMS 50Hz. 1MIN.

MECHANICAL

- 1.DURRABILITY: 750 CYCLES MIN.
- 2.MATING/UNMATING FORCE: 2.24 KG.F MAX.

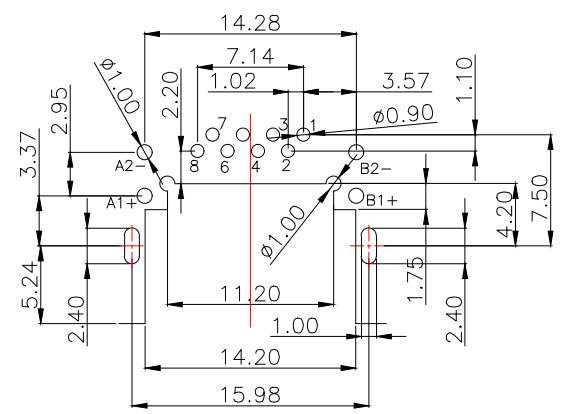
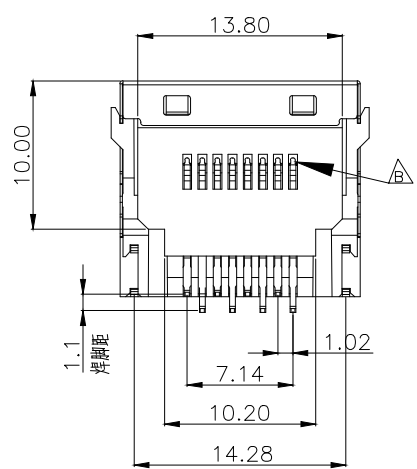
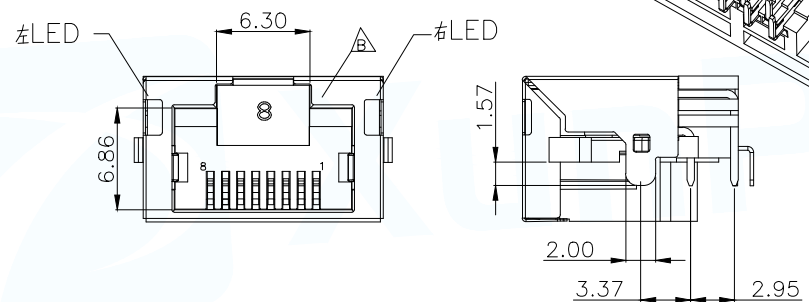
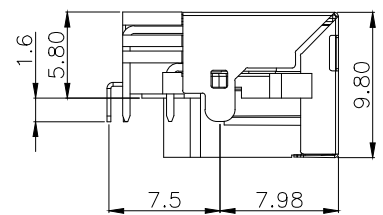
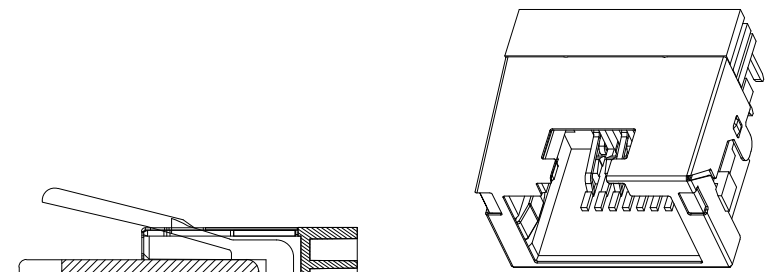
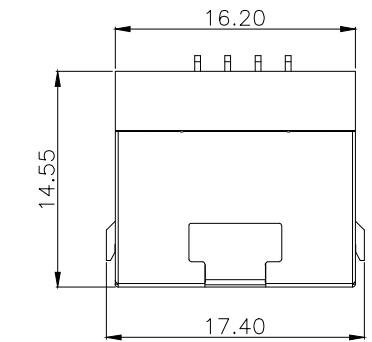
ENVIRONMENTAL:

- 1.STORAGE: -40℃~+85℃.
- 2.OPERATION: -40℃~+85℃.



8	/
7	/
6	RX-
5	/
4	/
3	RX+
2	TX-
1	TX+
PIN	说明

LED electrical characteristic		
Node		
A1(+)	A2(-)	A1--A2
B1(+)	B2(-)	B1--B2



PCBLAYOUT T=1.2  
TOL:±0.05

MANUFACTURE DWG		 东莞市讯普电子科技有限公司 DongGuan XunPu Electronics Co.,Ltd	
UNLESS OTHERWISE SPECIFIED TOLERANCES			TITLE: RJ45 沉板5.8 DIP带壳带灯
			PAR RJ45-005-202-11
DECIMALS:	ANGLES:		DWN
.X:±0.35	X'.:±3'		CHKD
.XX:±0.25	.X':±2'	APVD	
.XXX:±0.15	.XX':±1'	CUSTOMER COPY	SCALE:1:1 UNIT:MM
		SIZE:A4	SHEET:1F1
			REV:A