

NOTES

MATERIAL

- 1.HOUSING MATERIAL:THERMO PLASTICS UL94V-0 .
- 2.CONTACT MATERIAL :PHOSPHOR BRONZE T=0.25mm.
SELECT GOLD PLATING ON CONTACT AREA AND TIN PLATING ON SOLDER AREA OVER NICKEL.
- 3.SHIELD: STAINLESS T=0.20mm NI PLATING.
- 4.GASKET :SPCC T=0.40 NI PLATING.
- 5.LED:TIN PLATING.

MELECTRICAL

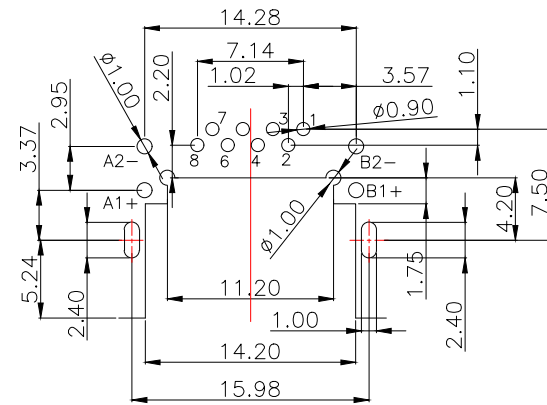
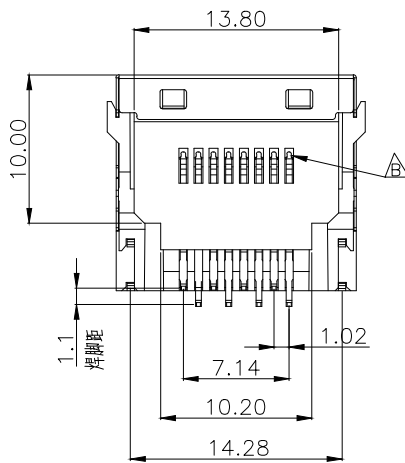
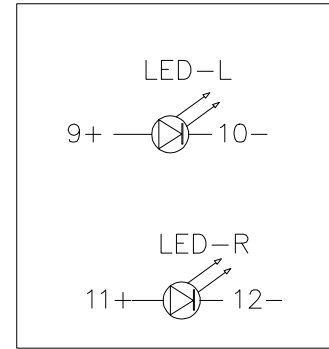
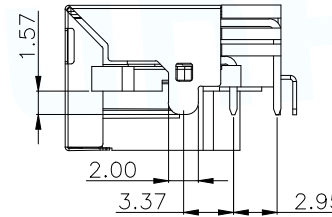
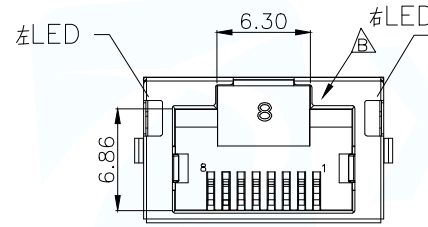
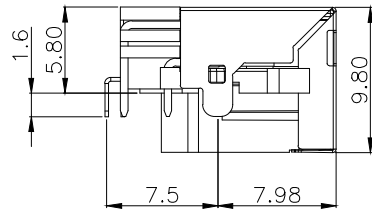
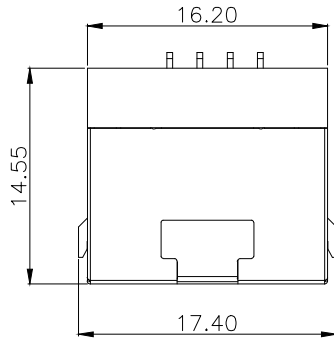
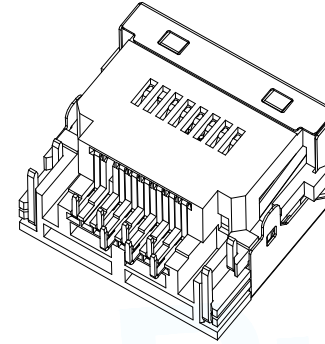
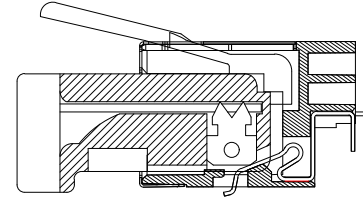
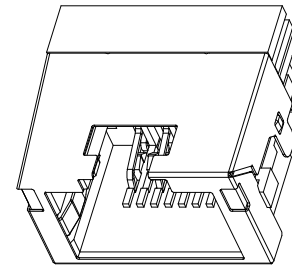
- 1.VOLTAGE RATING: 125 VAC RMS.
- 2.CURRENT RATING: 1.5 AMP.
- 3.CONTACT RESISTANCE: 40 MILLIOHMS MAX.
- 4.INSULATION RESISTANCE: 500 MEGOHMS MIN @ 100V DC .
- 5.DIELECTRIC DIELECTRIC RESISTANCE: 500V DC RMS 50Hz. 1MIN.

MECHANICAL

- 1.DURRABILITY: 750 CYCLES MIN.
- 2.MATING/UNMATING FORCE: 2.24 KG.F MAX.

ENVIRONMENTAL:

- 1.STORAGE: -40c~+85c.
- 2.OPERATION: -40c~+85c.



PCBLAYOUT T=1.2
TOL:±0.05

8	/
7	/
6	RX-
5	/
4	/
3	RX+
2	TX-
1	TX+
PIN	说明

LED electrical characteristic		
Node		
A1(+)	A2(-)	A1-LED-A2
B1(+)	B2(-)	B1-LED-B2

MANUFACTURE DWG			东莞市讯普电子科技有限公司 DongGuan XunPu Electronics Co.,Ltd	
UNLESS OTHERWISE SPECIFIED TOLERANCES			TITLE: RJ45 沉板5.8 DIP带壳带灯	
DECIMALS:	ANGLES:	PAR	RJ-005-201-11	
.X:±0.35	X':±3'	DWN		
.XX:±0.25	.X':±2'	CHKD		
.XXX:±0.15	.XX':±1'	APVD		
		SCALE:1:1	UNIT:MM	REV:A
		CUSTOMER COPY	SIZE:A4	SHEET:1F1