

NOTES

MATERIAL

- 1.HOUSING MATERIAL: LCP BLACK UL94V-0.
- 2.CONTACT MATERIAL: PHOSPHOR BRONZE .
- 3.PLATING: GOLD FLASH PLATING OVER NICKEL.
- 4.SHIELD: COPPER ALLOY WITH NICKEL PLATED.
- 5.LED: TIN PLATED.

ELECTRICAL

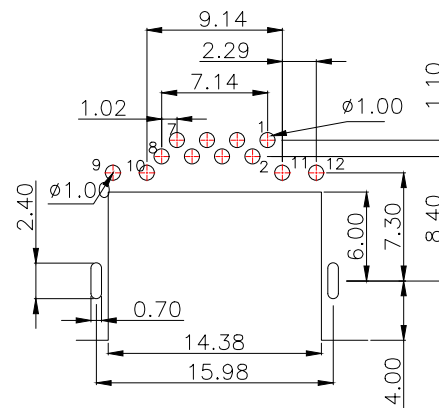
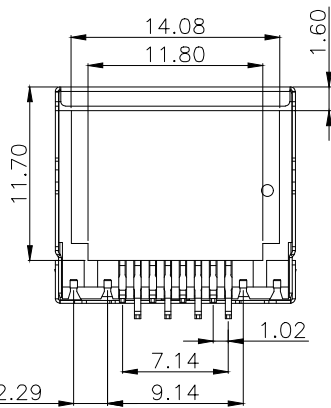
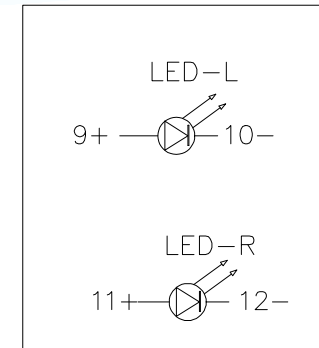
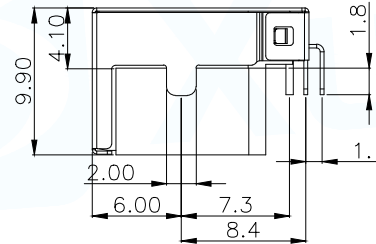
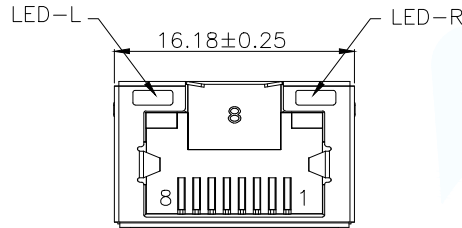
- 1.VOLTAGE RATING: 125 VAC RMS.
- 2.CURRENT RATING 1.5 AMP.
- 3.CONTACT RESISTANCE: 40 MILLIOHMS MAX.
- 4.INSULATION RESISTANCE: 500 MEGOHMS MIN @ 100V DC .
- 5.DIELECTRIC DIELECTRIC RESISTANCE: 500V DC RMS 50Hz. 1MIN.

MECHANICAL

- 1.DURRABILITY: 750 CYCLES MIN.
- 2.MATING/UNMATING FORCE: 2.24 KG.F MAX.

ENVIRONMENTAL:

- 1.STORAGE: -40℃~+85℃.
- 2.OPERATION: -40℃~+85℃.



PCBLAYOUT  
TOL:±0.05

MANUFACTURE DWG		 东莞市讯普电子科技有限公司 DongGuan XunPu Electronics Co.,Ltd	
UNLESS OTHERWISE SPECIFIED TOLERANCES			TITLE: RJ45 9.9H正向沉板4.1 DIP带灯
			PAR RJ45-005-031-11
DECIMALS:	ANGLES:		DWN
.X:±0.35	X':±3'		CHKD
.XX:±0.25	.X':±2'		APVD
.XXX:±0.15	.XX':±1'	CUSTOMER COPY	SCALE:1:1 UNIT:MM
		SIZE:A4	UNIT:MM
		SHEET:1F1	REV:A