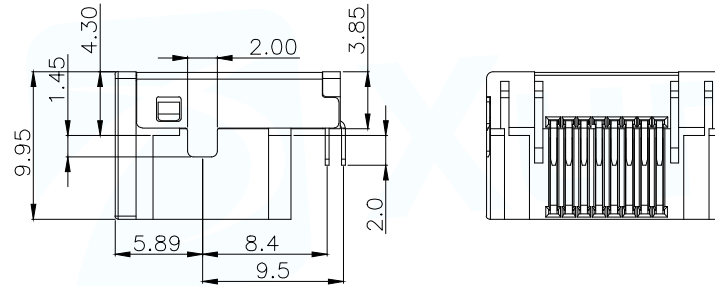
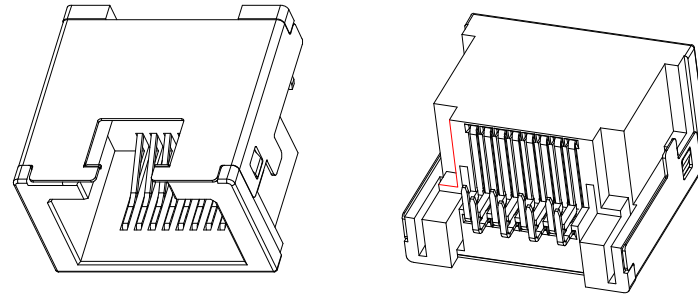
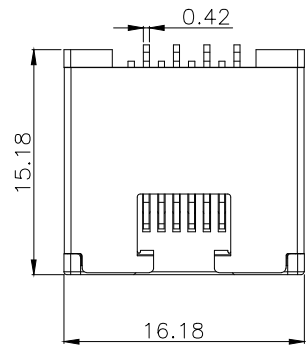


12	13	14	15
MAPX	MODIFICATION	DATE	APPROVE



NOTES

MATERIAL

- 1.HOUSING MATERIAL: LCP BLACK UL94V-0.
- 2.CONTACT MATERIAL: PHOSPHOR BRONZE T=0.25mm.
- 3.PLATING: GOLD PLATING ON CONTACT AREA,100u" MATTE-TIN ON SOLDER TAIL50u" NICKEL UNDERPLATED OVERALL.
- 4.SHIELD: SUS T=0.20mm WITH NICKEL PLATED.

ELECTRICAL

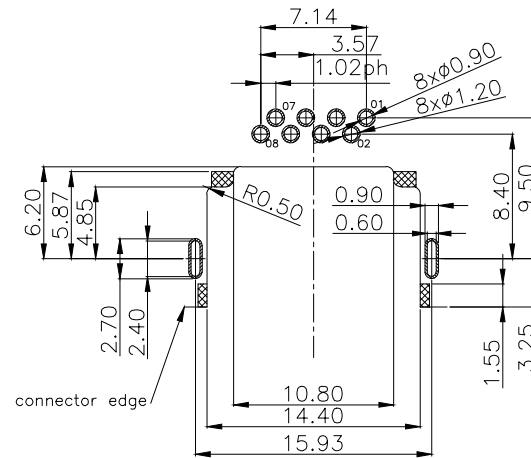
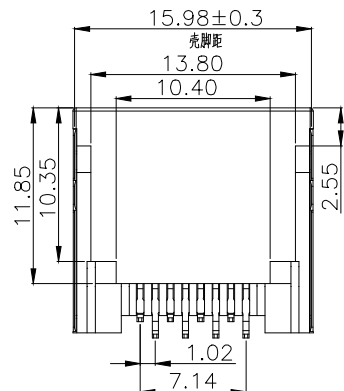
- 1.VOLTAGE RATING: 125 VAC RMS.
- 2.CURRENT RATING: 1.5 AMP.
- 3.CONTACT RESISTANCE: 40 MILLIOHMS MAX.
- 4.INSULATION RESISTANCE: 500 MEGOHMS MIN @ 100V DC .
- 5.DIELECTRIC DIELECTRIC RESISTANCE: 500V DC RMS 50Hz. 1MIN.

MECHANICAL

- 1.DURRABILITY: 750 CYCLES MIN.
2. MATING/UNMATING FORC: 2.24 KG.F MAX.

ENVIRONMENTAL:

- 1.OPERATION: -40c~+85c.
- 2.STORAGE: -40c~+85c.



RECOMMENDED PCB LAYOUT (component side)(TOP VIEW)
 DEFAULT TOLERANCES:±0.05/PCB THICKNESS:1.0MM
 ■ NO PATIERN AREA

MANUFACTURE DWG		东莞市讯普电子科技有限公司 DongGuan XunPu Electronics Co.,Ltd	
UNLESS OTHERWISE SPECIFIED TOLERANCES		TITLE: RJ45 9.9H沉板4.3半包A数无灯	
		PAR	RJ45-005-020-11
DECIMALS:	ANGLES:	DWN	
.X:±0.35	X':±3'	CHKD	
.XX:±0.25	.X':±2'	APVD	
.XXX:±0.15	.XX':±1'	SCALE:1:1	UNIT:MM
CUSTOMER COPY		SIZE:A4	SHEET:1F1
			REV:A