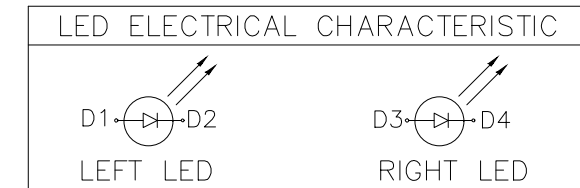
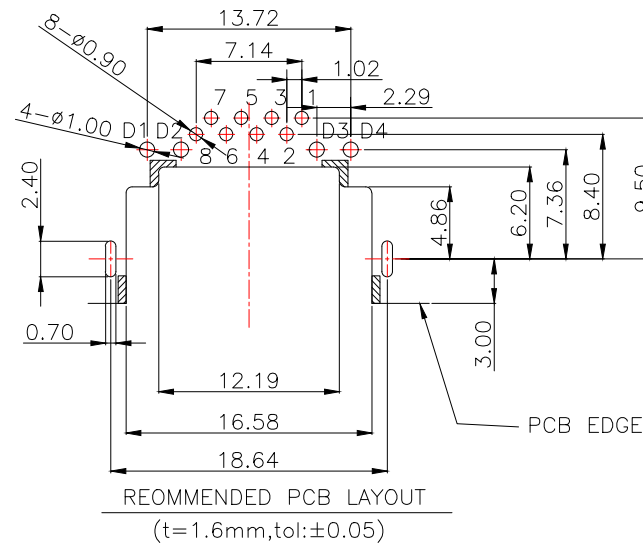
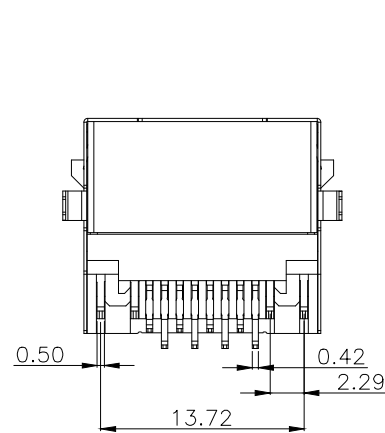
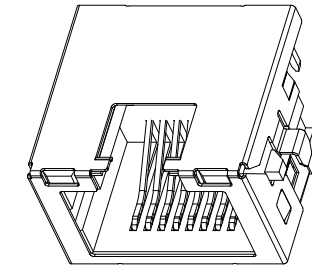


- NOTES**
- MATERIAL**
- 1.HOUSING MATERIAL: GLASS FILLED POLYESTER UL94V-0.
  - 2.CONTACT MATERIAL: COPPER ALLOY T=0.25MM.
  - 3.PLATING: GOLD PLATING ON CONTACT AREA AND MATTE TIN PLATING ON SOLDER AREA OVER NICKEL.
  - 4.SHIELD: SUS T=0.20mm WITH NICKEL PLATED.
  - 5.BOTTOM SHIELD: SUS T=0.15mm .
- ELECTRICAL**
- 1.VOLTAGE RATING: 125 VAC RMS.
  - 2.CURRENT RATING: 1.5 AMP.
  - 3.CONTACT RESISTANCE: 40 MILLIOHMS MAX.
  - 4.INSULATION RESISTANCE: 500 MEGOHMS MIN @ 100V DC .
  - 5.DIELECTRIC DIELECTRIC RESISTANCE: 500V DC RMS 50Hz. 1MIN.

- MECHANICAL**
- 1.DURRABILITY: 750 CYCLES MIN.
  - 2.MATING/UNMATING FORCE: 2.24 KG.F MAX.

- ENVIRONMENTAL:**
- 1.STORAGE: -40℃~+85℃.
  - 2.OPERATION: -40℃~+85℃.



MANUFACTURE DWG		东莞市讯普电子科技有限公司 DongGuan XunPu Electronics Co.,Ltd		
UNLESS OTHERWISE SPECIFIED TOLERANCES			TITLE: RJ45 9.9H沉板4.3全包18.64虎脚带灯	
			PAR RJ45-005-014-11	
DECIMALS: .X:±0.35 .XX:±0.25 .XXX:±0.15	ANGLES: X':±3' .X':±2' .XX':±1'		DWN	
			CHKD	
		APVD		
		SCALE:1:1	UNIT:MM	
		SIZE:A4	SHEET:1F1	
		CUSTOMER COPY	REV:A	