

NOTES:

1. HOUSING MATERIAL:GLASS FILLED POLYESTER UL94V-0.
2. CONTACT MATERIAL:COPPER ALLOY,T=0.35.
3. PLATING: GOLD PLATED ON CONTACT AREA, 100u"MIN.MATTE TIN PLATED ON SOLDERING AREA, 50u"MIN. NICKEL PLATED OVERALL.
4. SHELL:COPPER ALLOY,T=0.20. 40u"MIN. NICKEL PLATED OVERALL.
5. LED:T=0.50,MATE TIN PLATED.

ELECTRICAL:

1. VOLTAGE RATING: 125V AC RMS.
2. CURRENT RAIING: 1.5AMP.
3. CONTACT RESISTANCE: 40MILLIOHMS MAX.
4. INSULATION RESISTANCE: 500MEGOHMS MIN @100V DC.

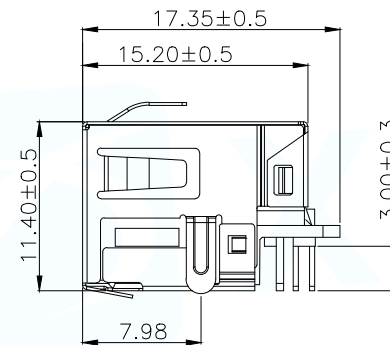
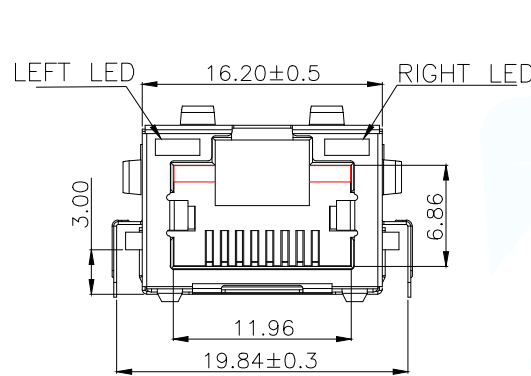
MECHANICAL:

1. DURRABILITY: 750 CYCLES MIN.
- 2.INSERTION FORCE : 22N MAX.
- 3.REMOVAL FORCE(WITHOUT PLUG LOCK) : 22N MAX.

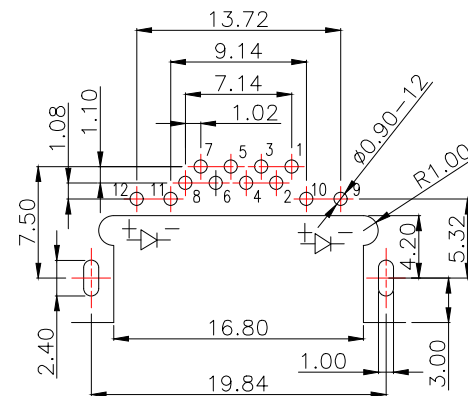
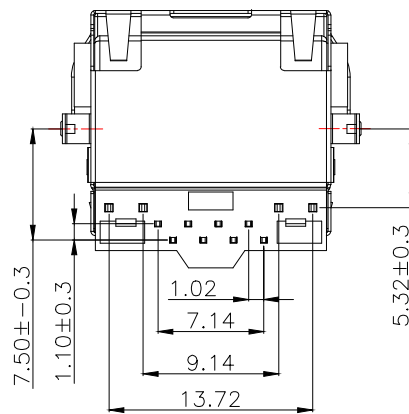
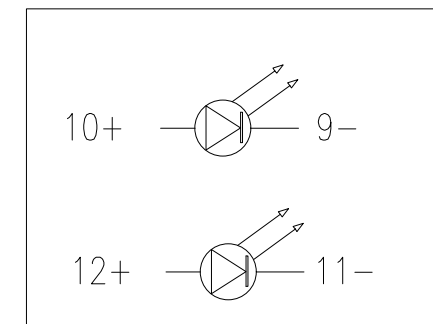
ENVIRONMENTAL:

1. STORAGE: -40°C~85°C
2. OPERATION: -40°C~85°C

*Apply to the EU standards(ROSH)



8	—
7	—
6	RX-
5	—
4	—
3	RX+
2	TX-
1	TX+
PIN	说明



PCBLAYOUT
TOL:±0.05

MANUFACTURE DWG		东莞市讯普电子科技有限公司 DongGuan XunPu Electronics Co.,Ltd	
UNLESS OTHERWISE SPECIFIED TOLERANCES			TITLE: RJ45沉板3.0带弹带灯
			PAR RJ45-003-014-11
DECIMALS:	ANGLES:		DWN
.X:±0.35	X':±3'		CHKD
.XX:±0.25	.X':±2'	APVD	
.XXX:±0.15	.XX':±1'	CUSTOMER COPY	SCALE:1:1 UNIT:MM
		SIZE:A4	SHEET:1F1
			REV:A