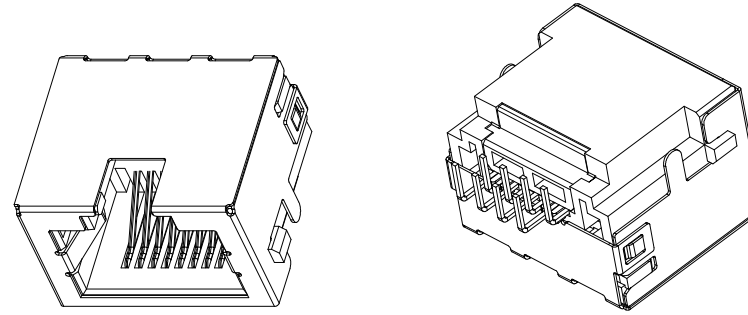
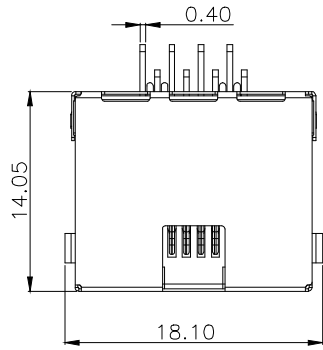


12	13	14	15
MAPX	MODIFICATION	DATE	DRAW



NOTES:

1. HOUSING MATERIAL: GLASS FILLED POLYESTER UL94V-0.
2. CONTACT MATERIAL: COPPER ALLOY, T=0.30.
3. PLATING: GOLD PLATED ON CONTACT AREA, 100u"MIN. TIN PLATED ON SOLDERING AREA, 50u"MIN. NICKEL PLATED OVERALL.
4. SHELL: COPPER ALLOY, T=0.20. 40u"MIN. NICKEL PLATED OVERALL.

ELECTRICAL:

1. VOLTAGE RATING: 125V AC RMS.
2. CURRENT RATING: 1.5AMP.
3. CONTACT RESISTANCE: 40MILLIOHMS MAX.
4. INSULATION RESISTANCE: 500MEGOHMS MIN @100V DC.

MECHANICAL:

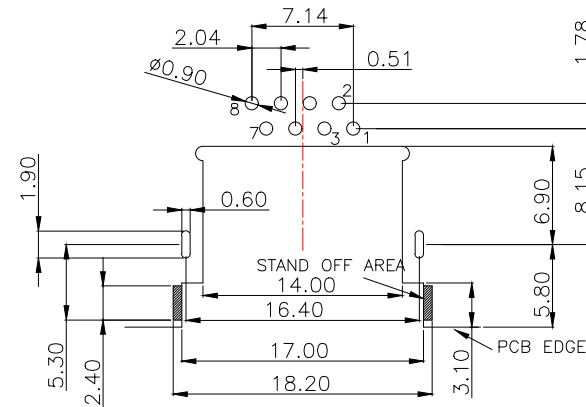
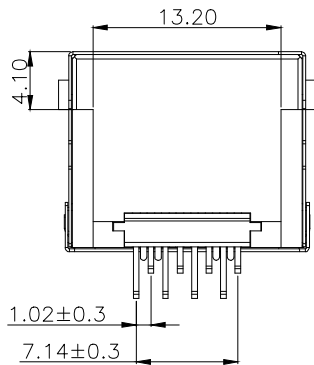
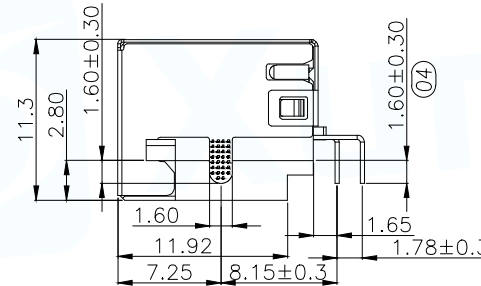
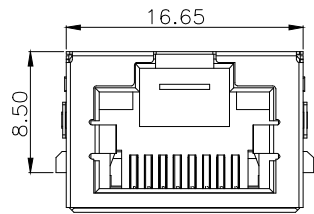
1. DURABILITY: 750 CYCLES MIN.
2. INSERTION FORCE: 22N MAX.
3. REMOVAL FORCE (WITHOUT PLUG LOCK): 22N MAX.

ENVIRONMENTAL:

1. STORAGE: -40°C~85°C
2. OPERATION: -40°C~85°C

\*Apply to the EU standards (ROSH)

1. (01)~(06) FOR QIP DIM.



PCBLAYOUT TOP VIEW  
TOL: ±0.05 (THICKNESS=1.60)

MANUFACTURE DWG			 东莞市讯普电子科技有限公司 DongGuan XunPu Electronics Co., Ltd	
UNLESS OTHERWISE SPECIFIED TOLERANCES			TITLE: RJ45 沉板2.8有虎DIP	
DECIMALS:	ANGLES:	PAR	RJ45-001-012-11	
.X: ±0.35	X': ±3'	DWN		
.XX: ±0.25	.X': ±2'	CHKD		
.XXX: ±0.15	.XX': ±1'	APVD		
CUSTOMER COPY		SCALE: 1:1	UNIT: MM	
		SIZE: A4	SHEET: 1F1	REV: A