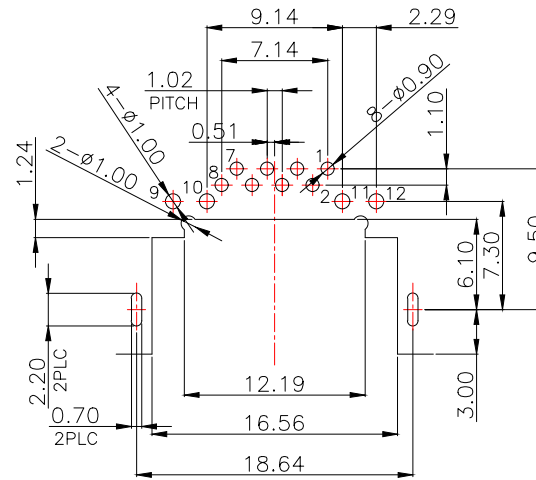
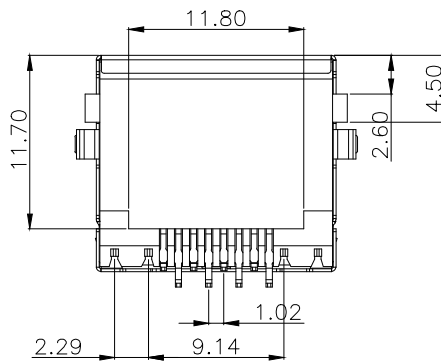
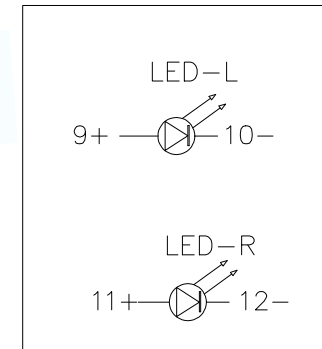
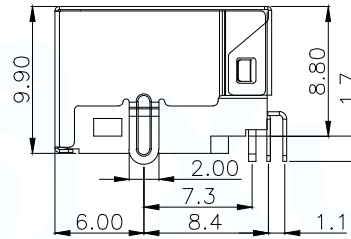
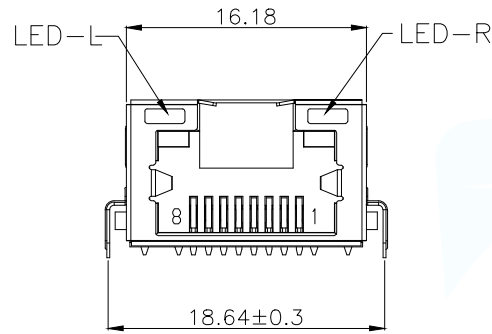


SPECIFICATION

- 1.CURRENT RATING:1.5 AMP.
- 2.VOLTAGE RATING:125 VAC RMS.
- 3.INSULATION RESISTANCE:500 MEGOHMS MIN.
- 4.WITHSTAND VOLTAGE:
DC 500V RMS 50Hz or 60Hz MIN.
- 5.CONTACT RESISTANCE:40 MILLIOHMS MAX.
- 6.DURRABILITY:750 MATING CYCLES MIN.
- 7.MATING/UNMATING FORC:2.24 KG.F MAX.
- 8.OPERATION TEMPERATURE: -40℃~+85℃.
- 9.STORAGE TEMPERATURE:-40℃~+85℃.



PCBLAYOUT
TOL:±0.05

4	LED	2	TIN PLATING
3	SHELL	1	C2680 T=0.2mm NI PLATING
2	TERMINAL	8	C5191 T=0.25mm Au PLATING ON CONTACT AREA, TIN PLATING ON SOLDER AREA, NI PLATING ALL AREA.
1	HOUSING	1	LCP UL94V-0 BLACK
NO.	PART NAME	Q'TY	MATERIAL PLATING & COLOR Remark

MANUFACTURE DWG		东莞市讯普电子科技有限公司 DongGuan XunPu Electronics Co.,Ltd	
UNLESS OTHERWISE SPECIFIED TOLERANCES			TITLE: RJ45 9.9H沉板8.8 DIP 有壳有灯
			PAR RJ45-005-034-11
DECIMALS:	ANGLES:		DWN
.X:±0.35	X':±3'		CHKD
.XX:±0.25	.X':±2'	APVD	
.XXX:±0.15	.XX':±1'	CUSTOMER COPY	SCALE:1:1 UNIT:MM
		SIZE:A4	SHEET:1F1
			REV:A