

4

3

2

1

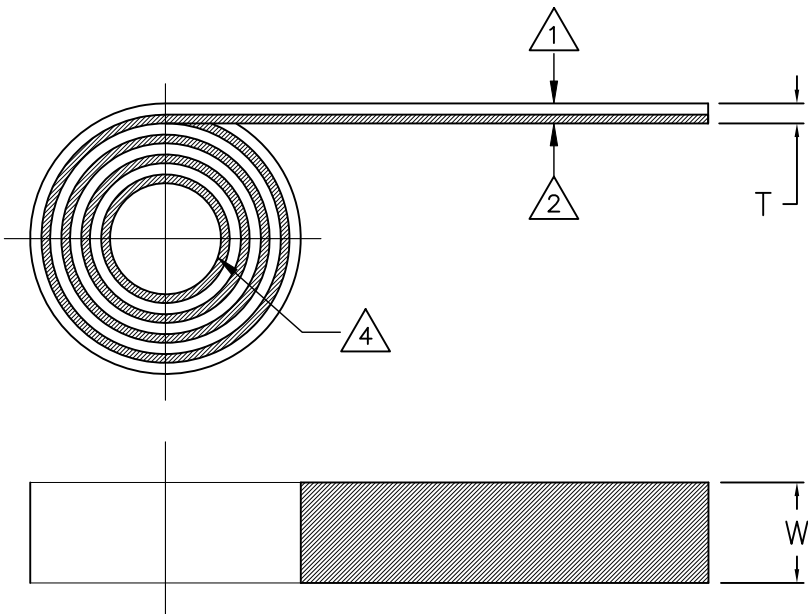
REVISIONS		
LTR	DESCRIPTION	DATE
A	INITIAL RELEASE PER ECO-11-016336	08/10/2011
B	UPDATED CD PER ECO-19-000693	01/15/2019

D

C

B

A



NOTES

- 1. FLUID RESISTANT, HIGH TEMPERATURE FLOUROPOLYMER
- 2. HIGH TEMPERATURE THERMOPLASTIC ADHESIVE
- 3. REFER TO RT-1381 FOR PRODUCT SPECIFICATION
- 4. TAPE SHALL BE SPOOLED ON A FIBER OR PLASTIC HUB
- 5. REFER TO TUS-41-3032 FOR INSTALLATION INSTRUCTIONS
- 6. ORDERING INFORMATION

RT-555-T1.0-A260-XX

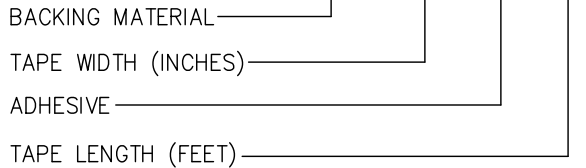


TABLE OF DIMENSIONS

PART DESCRIPTION	W	-XX LENGTH in FEET (MIN)	T
RT-555-T.75-A260-XX	.75 [19]	25 or 50	.016 [.41]
RT-555-T1.0-A260-XX	1.0 [25]	25 or 50	.016 [.41]
RT-555-T1.5-A260-XX	1.5 [38]	25 or 50	.016 [.41]
RT-555-T2.0-A260-XX	2.0 [51]	25 or 50	.016 [.41]

Raychem Molded Parts  
CUSTOMER DRAWING

UNLESS OTHERWISE SPECIFIED DIMENSIONS ARE INCHES. METRIC DIMENSIONS ARE IN BRACKETS. DECIMAL TOLERANCES .XXX ± 0.005 [0.13 mm] .XX ± 0.01 [0.25 mm] .X ± 0.1 [0.50 mm] ANGLE TOLERANCE .X ± 1 DEG. TE CONNECTIVITY RESERVES THE RIGHT TO AMEND THIS DRAWING AT ANY TIME. USERS SHOULD EVALUATE THE SUITABILITY OF THE PRODUCT FOR THEIR APPLICATION. © 2011-2019 TE Connectivity Corporation. All rights reserved.	DRAWN UNGUYEN		TE Connectivity		
	APPROVED DHURRELL		TITLE HIGH TEMPERATURE HEAT SHRINK TAPE	SIZE B	CODE IDENT. NO. 06090
THIRD ANGLE PROJECTION		DO NOT SCALE THIS DRAWING			
		SHEET 1 OF 1			

4

3

2

1