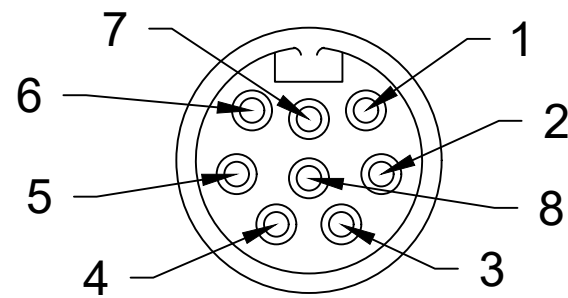
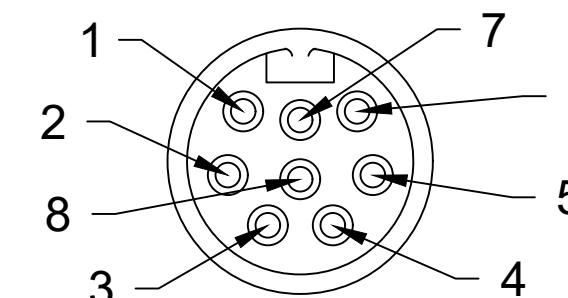


FACE VIEW-FEMALE INSERT



- 1 RED
- 2 PINK
- 3 GRAY
- 4 YELLOW
- 5 GREEN
- 6 WHITE
- 7 BLUE (GRD)
- 8 BROWN

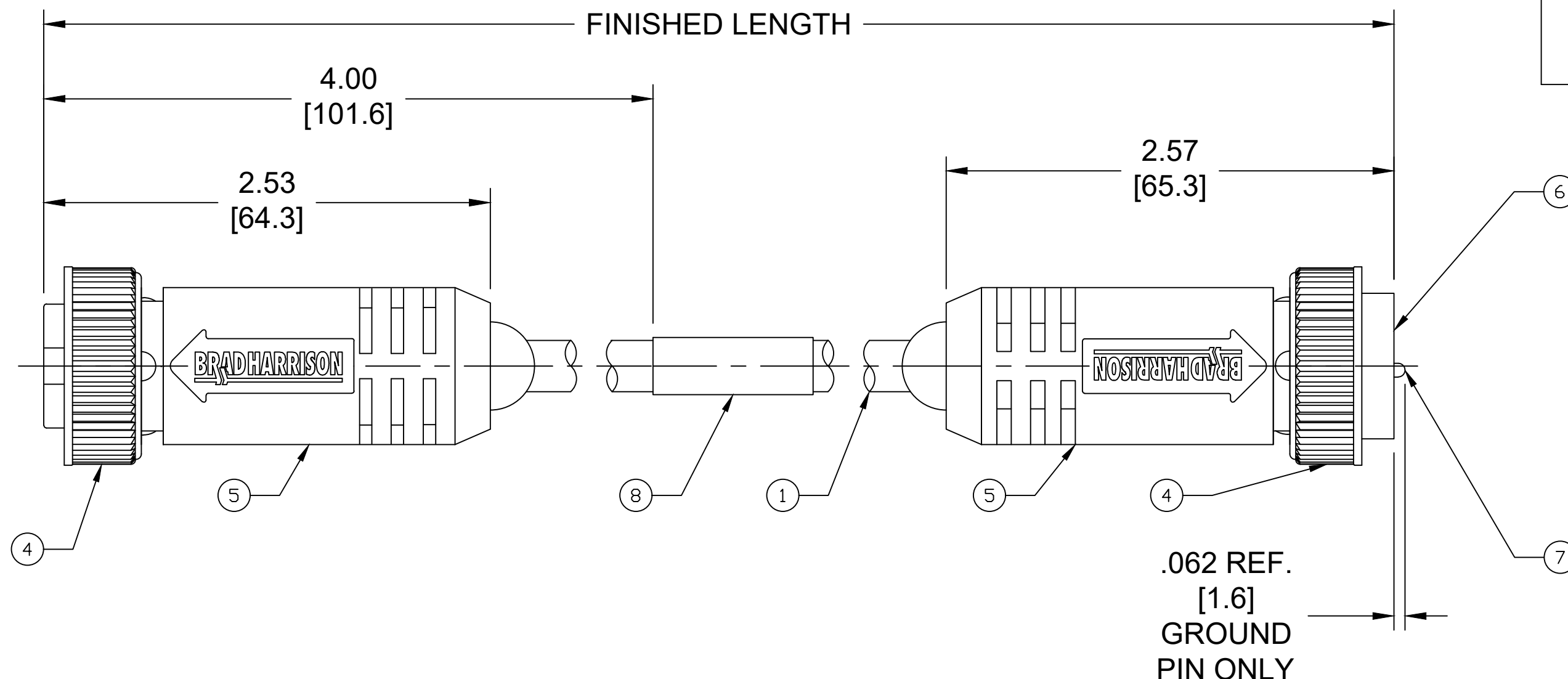
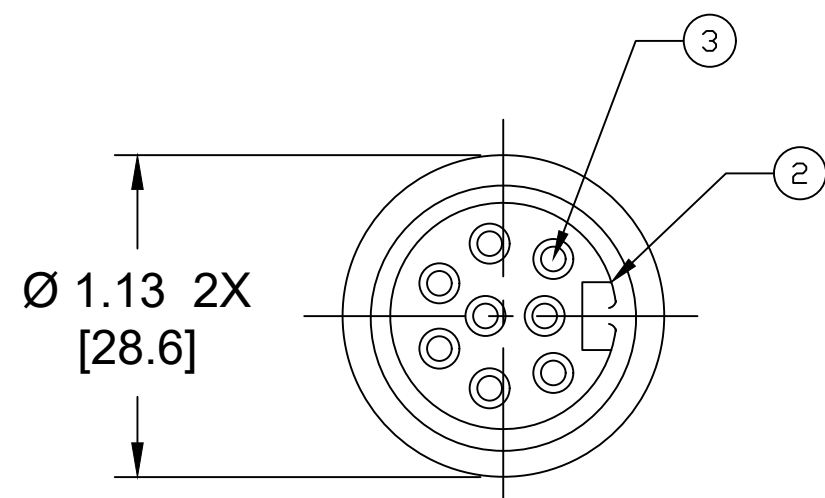
FACE VIEW-MALE INSERT



- 1 RED
- 2 PINK
- 3 GRAY
- 4 YELLOW
- 5 GREEN
- 6 WHITE
- 7 BLUE (GRD)
- 8 BROWN

PART NO	ENGINEERING NO.	FINISHED LENGTH
1300110159	228020A04M020	2M [6 FT 7 IN]
1300110162	228020A04M060	6M [19 FT 8 IN]
1300110280	228020A04M150	15M [49 FT 2 IN]

(B)



NOTES:

1. MATERIAL: AS NOTED
2. FINISH: AS NOTED
3. ELECTRICAL:
VOLTAGE: 320V PER IEC60664
300V PER UL2238
CURRENT: 2.5A
4. TEMP RATING: -20°TO +90°C
5. PROTECTION: IP67 (WHEN MATED)
6. COUPLING THREAD: 1"-16 UN
7. CSA CERTIFIED FILE: LR6837
8. ALL DIMENSIONS ARE FOR REFERENCE UNLESS TOLERANCED OR NOTED OTHERWISE

PART NO. MATRIX
228020A04M020

FINISHED LENGTH:
M005= 0.5 METER
M010= 1 METER
M100= 10 METER

PRE-RELEASE
REFERENCE
USE ONLY

CABLE LENGTH TOLERANCES

>.3M [1FT]:	+19mm-0 [+ .75in-0]
.3 - .9M [1 - 3FT]:	+44.5mm-0 [+1.75in-0]
.9 - 1.8M [3 - 6FT]:	+55.6mm-0 [+2.19in-0]
1.8 - 3.7M [6 - 12FT]:	+88.9mm-0 [+3.50in-0]
3.7 - 7.3M [12 - 24FT]:	+165.1mm-0 [+6.50in-0]
7.3-14.6M [24 - 48FT]:	+317.5mm-0 [+12.50in-0]
14.6 - 30.5M [48-100FT]:	+622.3mm-0 [+24.50in-0]
OVER 30M [100FT]	+2% OF FINISHED LENGTH

ITEM	DESCRIPTION	MATERIAL	FINISH
8	WRAP LABEL	VINYL	BLACK/YELLOW
7	CONTACT PIN	COPPER ALLOY	GOLD PLATED
6	MALE INSERT	TPE	YELLOW
5	OVERMOLD	TPE	YELLOW
4	COUPLING	ZINC DIE-CAST	BLACK
3	CONTACT SOCKET	COPPER ALLOY	GOLD PLATED
2	FEMALE INSERT	TPE	YELLOW
1	CABLE, 22/7, 18/1	PVC JACKET	YELLOW

(B)
(B)
(B)

THIS DRAWING CONTAINS INFORMATION THAT IS PROPRIETARY TO MOLEX ELECTRONIC TECHNOLOGIES, LLC AND SHOULD NOT BE USED WITHOUT WRITTEN PERMISSION

FUNCTIONAL SYMBOLS	DIMENSION UNITS	SCALE	CURRENT REV DESC: ITEM# 2, 5 & 6 WERE PVC. MODIFIED MATERIAL TABLE
FA=0	INCH/MM	NTS	
FC=0	GENERAL TOLERANCES (UNLESS SPECIFIED)		
FP=0			
DIVISIONAL SYMBOLS	mm	INCH	EC NO: 643513
	4 PLACES ±----	±----	DRWN: ABENJAMINLW 2020/07/28
	3 PLACES ±----	±----	CHK'D: RSTONE 2020/08/28
	2 PLACES ±----	±----	APPR: ----
	1 PLACE ±----	±----	INITIAL REVISION:
	0 PLACES ±----	±----	DRWN: RSTONE 2016/11/30
	ANGULAR TOL ± ---- °		APPR: BWOODMAN 2016/12/20
DRAFT WHERE APPLICABLE MUST REMAIN WITHIN DIMENSIONS	THIRD ANGLE PROJECTION	DRAWING	SERIES
		C-SIZE	130011
DOCUMENT STATUS	RV	RELEASE DATE	2020/08/28 17:02:28
DOCUMENT NUMBER		DOC TYPE/DOC PART	REVISION
SD-130011-007		PSD	001 B
MATERIAL NUMBER	CUSTOMER	SHEET NUMBER	
SEE CHART	GENERAL MARKET	1 OF 1	