

Ratings

Voltage: 150 V
 Temperature: -40~70 °C

Conductor

Conductor count: 7
 Gauge: 30 AWG 0.05 mm²
 Material: Tinned copper strands
 Strand size: $\varnothing 0.05 \times 25$
 Resistance at 20 °C: 385 Ω /km max

Insulator

Material: HDPE
 Color: white, black, red, yellow, white
 Diameter: $\varnothing 0.65 \pm 0.10$ mm
 Nominal thickness: 0.18 mm
 Resistance at 20 °C: 100 M Ω /km min

Wrap

Material: cotton paper

Filler

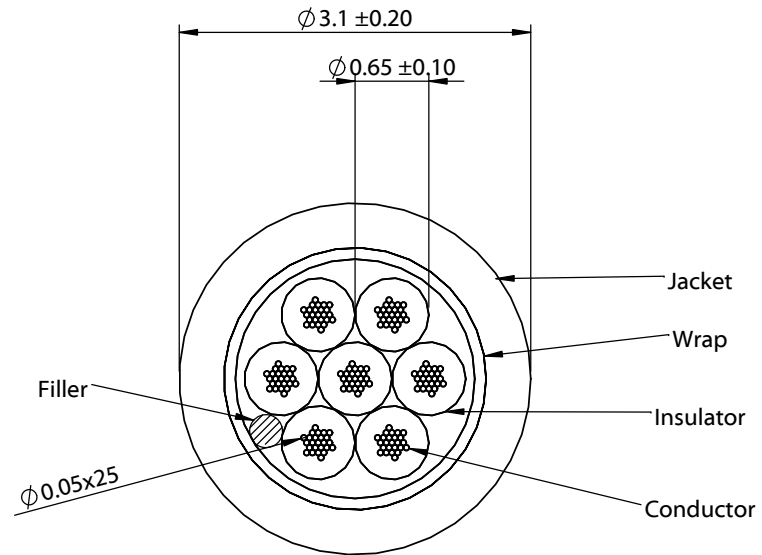
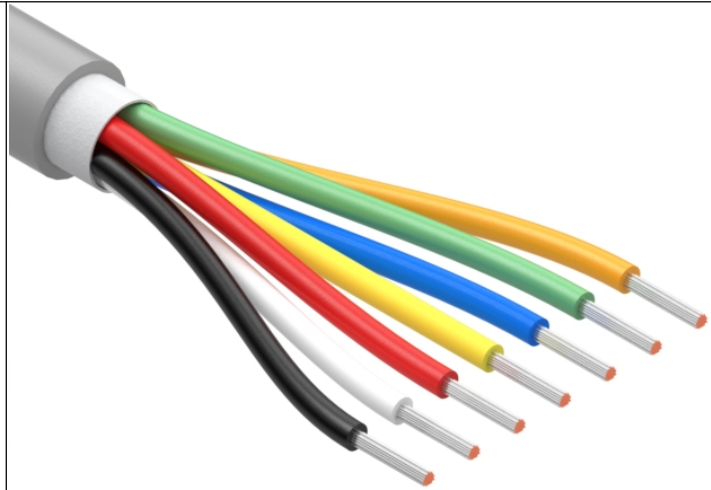
Material: aramid fiber

Outer jacket

Material: TPU
 Color: gray
 Diameter: $\varnothing 3.1 \pm 0.20$ mm
 Nominal thickness: 0.50 mm

Tests

Tensile strength: 15 kgf min
 Dielectric test: 1500 V dc for 1 minute without breakdown
 Bend test at 200 g, $\pm 60^\circ$, 30 cycles /min: 15,000 cycle minimum



Revision:	Date:	Description:
A	9/15/2022	Initial release

Prepared:	Verified:	Dimensions are in millimeters. Tolerances: X: ± 0.5 mm X.X: ± 0.3 mm X.XX: ± 0.05 mm

Notes:
RoHS compliant Jacket meets ISO 10993 Biological Compatibility Phthalate and halogen free Function test: no open, no short, no intermittent
Description: Wire, 7C TS, 30 AWG, 150V, 70C, 3.1 mm, TPU, 75A, gray, WBL

TENSILITY

tel 1.541.323.3228 800 877.670.7118
 fax 1.541.323.4202 web tensility.com

Size:	Part number:		
A	30-02748		
Scale:	15:1		Sheet 1 of 1

5

4

3

2

1