

MATERIAL NO.	ENGINEERING NO.	FINISHED LENGTH
1200490557	E11A06002M003	11.8IN (0.3M)
1201080032	E11A06002M450	147 FT 7.6 (45M)
1201080028	E11A06002M900	295FT 3.30 (90M)

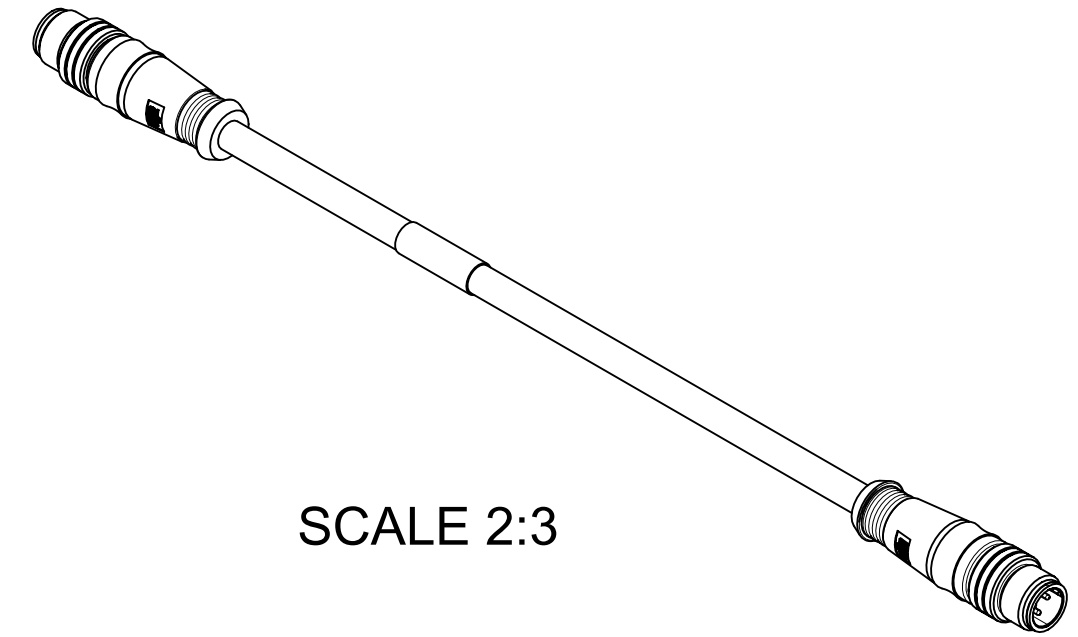
- NOTES:
1. MATERIAL: AS NOTED
 2. FINISH: AS NOTED
 3. ELECTRICAL SPECIFICATIONS
VOLTAGE RATING: 125V
CURRENT RATING: 1.5A
 4. TEMP RANGE: -25°C TO +75°C
 5. PROTECTION: IP67 (WHEN MATED)
 6. UL FILE: E361772
 7. ALL DIMS ARE FOR REFERNCE UNLESS TOLERNACED OR NOTED OTHERWISE

PART NO. MATRIX
E11A06002M005

FINISHED LENGTH
M005= 0.5 METER
M010= 1 METER
M100= 10 METER

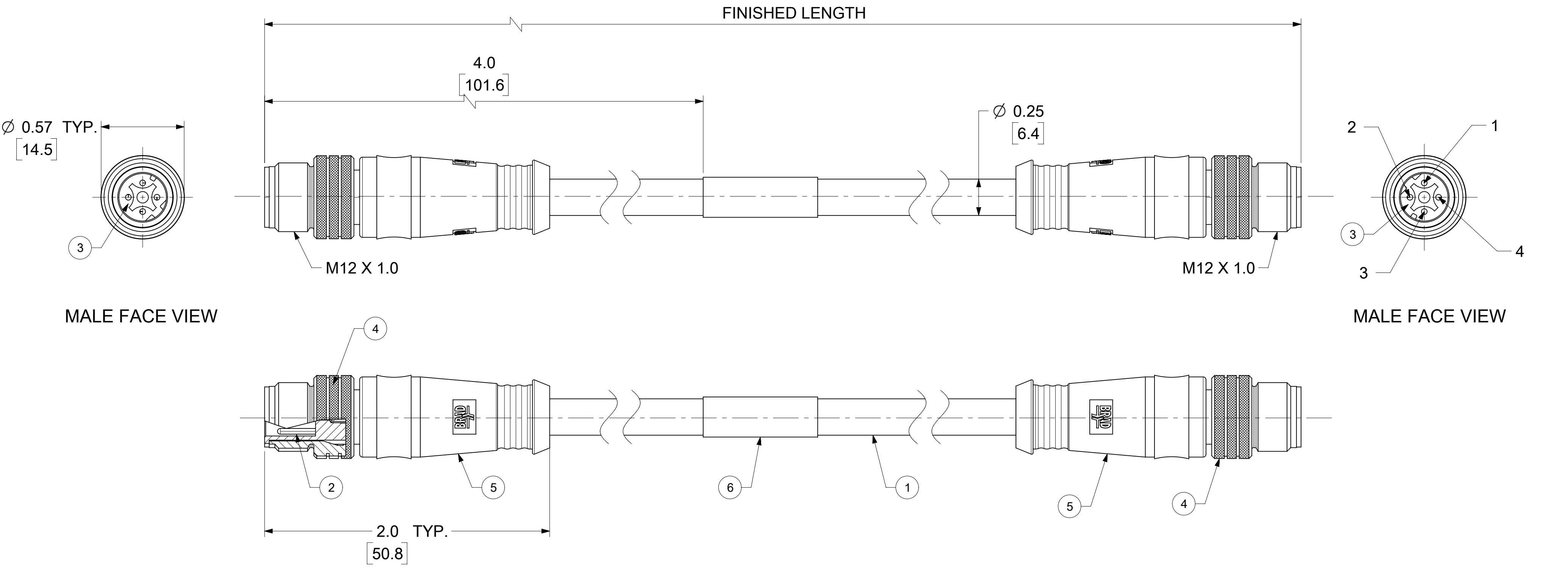
CABLE LENGTH TOLERANCES

<.3M [1FT]:	+19mm-0 [+ .75in-0]
.3 - .9M [1 - 3FT]:	+44.5mm-0 [+1.75in-0]
.9 - 1.8M [3 - 6FT]:	+55.6mm-0 [+2.19in-0]
1.8 - 3.7M [6 - 12FT]:	+88.9mm-0 [+3.50in-0]
3.7 - 7.3M [12 - 24FT]:	+165.1mm-0 [+6.50in-0]
7.3-14.6M [24 - 48FT]:	+317.5mm-0 [+12.50in-0]
14.6 - 30.5M [48-100FT]:	+622.3mm-0 [+24.50in-0]
OVER 30M [100FT]	+2% OF FINISHED LENGTH



WIRING DIAGRAM

1	ORANGE/WHITE	1
2	BLUE/WHITE	2
3	ORANGE	3
4	BLUE	4



6	LABEL	VINYL	BLACK/WHITE
5	OVERMOLD	TPU	BLACK
4	M12 MALE COUPLING NUT	BRASS	NICKEL
3	M12 D-CODE 4P MALE INSERT	PUR	BLACK
2	CONTACT PIN	COPPER ALLOY	GOLD PLATED
1	CABLE, 24-4, ETHERNET	PVC JACKET	TEAL
ITEM	DESCRIPTION	MATERIAL	FINISH

FUNCTIONAL SYMBOLS	THIS DRAWING CONTAINS INFORMATION THAT IS PROPRIETARY TO MOLEX ELECTRONIC TECHNOLOGIES, LLC AND SHOULD NOT BE USED WITHOUT WRITTEN PERMISSION			
	DIMENSION UNITS	SCALE	CURRENT REV DESC: INITIAL RELEASE	
$\frac{F}{A} = 0$	INCH/MM	2:1	<p>EC NO: 648668</p> <p>DRWN: VASUTHKARP 2020/09/25</p> <p>CHK'D: RSTONE 2020/11/11</p> <p>APPR: BWOODMAN 2020/11/18</p> <p>INITIAL REVISION:</p> <p>DRWN: NSTAUDIGEL 2010/02/08</p> <p>APPR: fpacher 2010/02/11</p>	
$\frac{F}{C} = 0$	GENERAL TOLERANCES (UNLESS SPECIFIED)			
$\frac{F}{P} = 0$				
DIVISIONAL SYMBOLS				
	4 PLACES	±	±	
	3 PLACES	±	±	
	2 PLACES	±	±	
	1 PLACE	±	±	
	0 PLACES	±	±	
	ANGULAR TOL	±	°	
	DRAFT WHERE APPLICABLE MUST REMAIN WITHIN DIMENSIONS	THIRD ANGLE PROJECTION		
		DRAWING	SERIES	
		C-SIZE	120049	
DOCUMENT STATUS		P1	RELEASE DATE	2020/11/18 23:03:24
DOCUMENT NUMBER		CUSTOMER		SHEET NUMBER
SD-120049-001		GENERAL MARKET		1 OF 1
DOC TYPE		DOC PART	REVISION	
PSD		001	A	