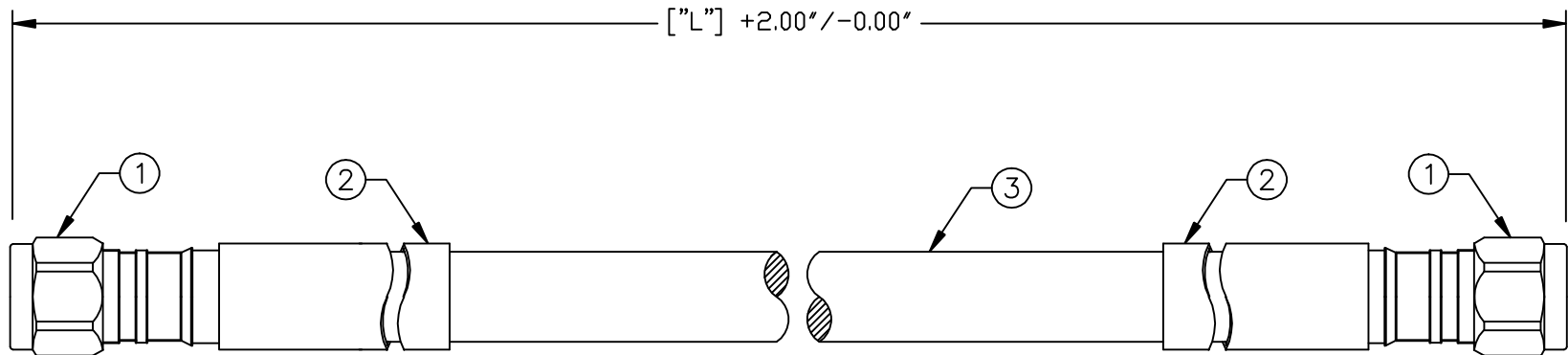
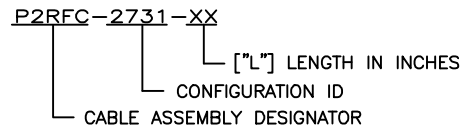


PART NO.		P2RFC-2731-XX		
REV	DESCRIPTION	DWN	DATE	APPROVED
-	ENGINEERING RELEASE	JDM	1/2/19	JDMc



- STANDARD CABLE LENGTHS [\"L\"]:
- 12 [1 FOOT]
 - 24 [2 FEET]
 - 36 [3 FEET]
 - 48 [4 FEET]
 - 60 [5 FEET]
 - 72 [6 FEET]

FOR CUSTOM LENGTHS REPLACE XX FOR NUMBER OF INCHES



SPECIFICATIONS:

IMPEDANCE: 50 Ohms
 FREQUENCY RANGE: 0-6 GHz
 3RD ORDER IM: ≤-160 dBc @ 700MHz & 1900MHz
 3RD ORDER IM TEST METHOD: 2x43dBm CARRIERS
 TYPICAL VSWR: ≤1.10:1 THRU 3GHz
 CABLE: LCF12-50J

NOTE: BOTH CONNECTORS WILL HAVE PROTECTIVE CAPS ON

CUSTOMER OUTLINE DRAWING
 ALL DIMENSIONS ARE REFERENCE ONLY

UNLESS OTHERWISE SPECIFIED:
 DIMENSIONS ARE IN INCHES AND [MILLIMETERS]

DRAWN	JDM	1/2/19
CHECKED		
ORJ DRAWN	C. ZUNIGA	11/16/16

PROPRIETARY AND CONFIDENTIAL

THIS DRAWING CONTAINS INFORMATION PROPRIETARY TO RF INDUSTRIES. ANY UNAUTHORIZED USE OF THIS DRAWING IS EXPRESSLY PROHIBITED WITHOUT WRITTEN PERMISSION FROM RF INDUSTRIES. ANY VIOLATION IS PUNISHABLE UNDER U.S. COPYRIGHT LAWS.

RFconnectors 7610 MIRAMAR RD. SAN DIEGO, CA 92126 (858) 549-6340
 DIVISION OF RF INDUSTRIES, LTD. (858) 549-6345 FAX

**N MALE TO N MALE
 1/2" COAX CABLE ASSEMBLY**

3	LCF12-50J	1	1/2" CORRUGATED	---
2	TUBING	2	HEAT SHRINK	BLACK
1	RFN-1002DS-H1	2	N MALE	WHITE BRONZE
#	PART NUMBER	QTY	DESCRIPTION	FINISH

SIZE	CABLE GROUP	DWG NO.	REV
A	N/A	P2RFC-2731-XX	—
SCALE:	ENGINEERING ID:	SHEET 1 OF 1	
NTS	000000		