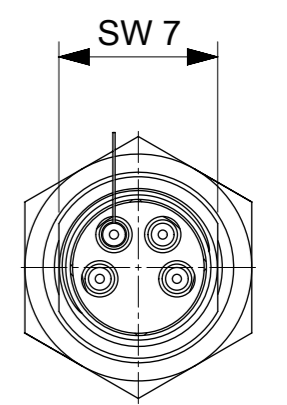
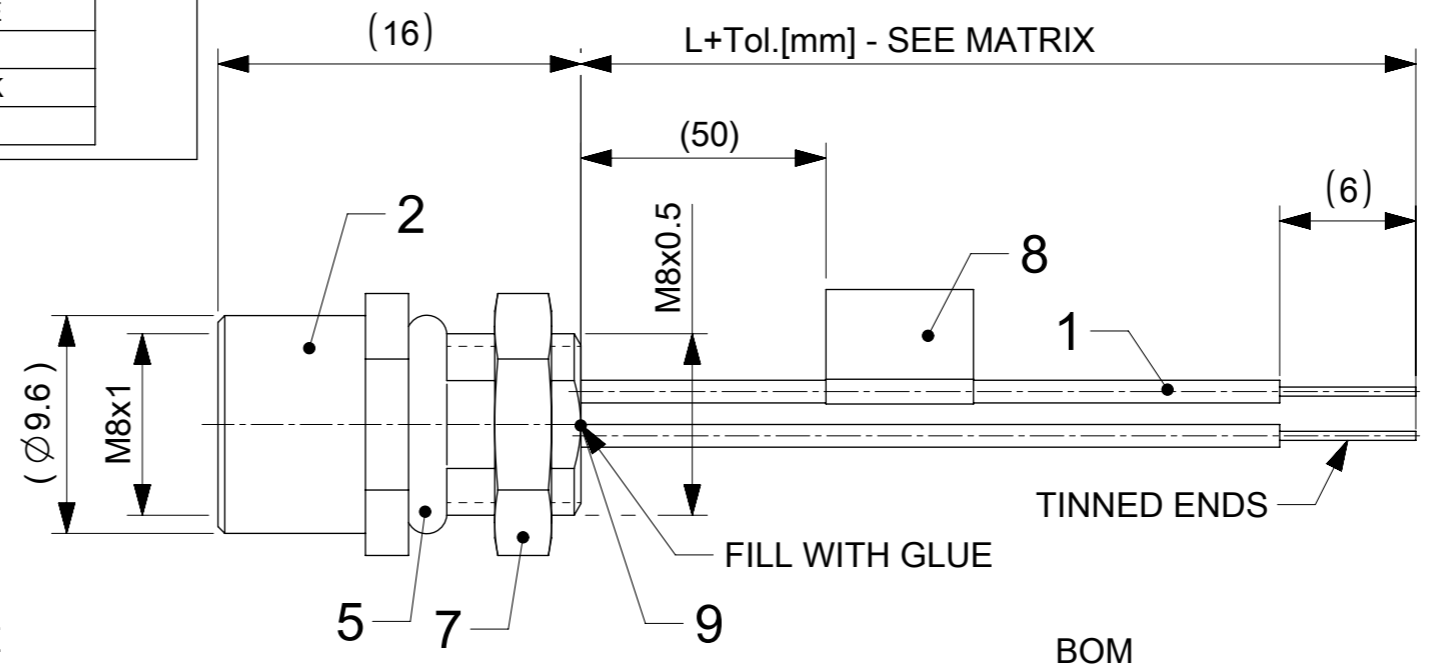
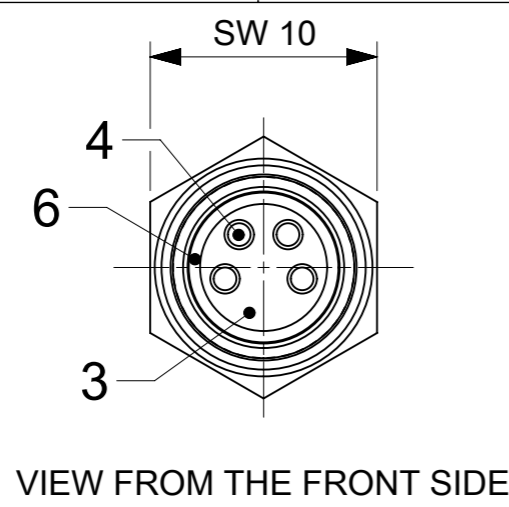


PART No. MATRIX

4 R X F 3 0 E 0 2 X X X X X

- 4R = M8 REC
- Poles: 4 = 4 Poles, 5 = 5 Poles, 8 = 8 Poles
- Shell Type
- Wires E02 = 0.25mm² PVC
- Units: M = Meters, C = Centimeters
- Length Examples: 005 = 0.5 unit, 010 = 1 unit, 100 = 10 units
- Shell material: Blank = Aluminum, 1 = stainless steel, 3 = brass with nickel plated



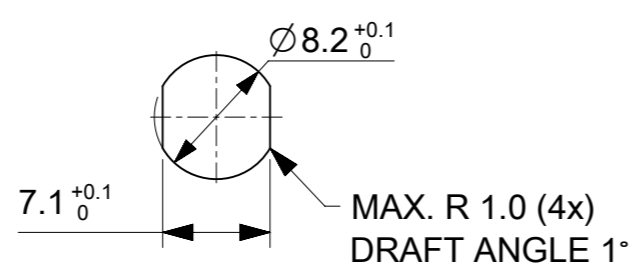
M8 3-4-5P A-B Code:
 ELECTRICAL DATA:
 3P VOLTAGE RATING: 60V
 4-5P VOLTAGE RATING: 30V
 AMPERAGE RATING: 3A
 INSULATION RESISTANCE: 10⁸ Ω MIN.
 MATING CYCLES: MIN. 100

ENVIRONMENTAL:
 PROTECTION: IP65 in mated and locked position.
 OPERATING TEMPERATURE: -25°C TO +85°C

PART LIST

MOLEX PN	ENGINEERING NO.	LENGTH (MM)
1200905071	4R3F30E02C200	2000
1200310015	4R3F30E02C3003	3000
1200310053	4R3F30E02M0203	2000
1200905076	4R4F30E02C200	2000
1200908035	4R4F30E02C2103	2100
1200908011	4R4F30E02C300	3000
1200310049	4R4F30E02C3003	3000
1200905106	4R5F30E02C200	2000
1200310028	4R5F30E02C3003	3000

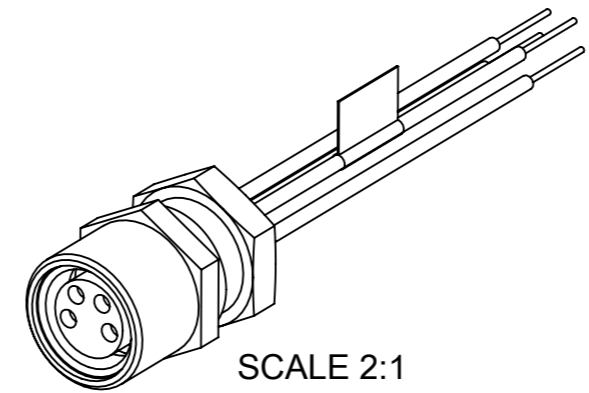
RECOMMENDED PANEL CUT OUT



Over	Up to and including	Tolerance
0	305	+19
305	915	+45
915	1830	+56
1830	3660	+89
3660	7320	+165
7320	14640	+317
14640	30500	+610
30500	>	+2% of length

BOM

ITEM	QTY	DESCRIPTION	MATERIAL	FINISH/COLOR
9	-	POTTING MATERIAL	WEVO	-
8	1	LABEL	VINYL	YELLOW
7	1	LOCKNUT M8X0.5	BRASS	NICKEL PLATED
6	1	GASKET	FKM	RED
5	1	O-RING	NBR	BLACK
4	3/4/5	CONTACT 10 FE	BRONZE	GOLD OVER NICKEL PLATED
3	1	INSERT M8 FE 5P	ELASTOLLAN	BLACK
2	1	REC SHELL M8(FE)XM8(M)	BRASS	NICKEL PLATED
1	-	WIRE;24AWG;OD=1.43mm	PVC	GRAY
	-	WIRE;24AWG;OD=1.43mm		BROWN
	-	WIRE;24AWG;OD=1.43mm		WHITE
	-	WIRE;24AWG;OD=1.43mm		BLUE
	-	WIRE;24AWG;OD=1.43mm		BLACK



THIS DRAWING CONTAINS INFORMATION THAT IS PROPRIETARY TO MOLEX ELECTRONIC TECHNOLOGIES, LLC AND SHOULD NOT BE USED WITHOUT WRITTEN PERMISSION

FUNCTIONAL SYMBOLS: ∇/\bar{A} = 0, ∇/\bar{E} = 0, ∇/\bar{V} = 0

DIVISIONAL SYMBOLS: ∇/\bar{A} = 0, ∇/\bar{E} = 0, ∇/\bar{V} = 0

DRAFT WHERE APPLICABLE MUST REMAIN WITHIN DIMENSIONS

THIRD ANGLE PROJECTION

DRAWING: A3-SIZE

SERIES: 120090

MATERIAL NUMBER: SEE PART LIST

CUSTOMER: GENERAL MARKET

SHEET NUMBER: 1 OF 1

EC NO: 702547
 DRWN: MDHARMANTI 2022/04/05
 CHK'D: RSILLER 2022/04/08
 APPR: RSILLER 2022/04/08

INITIAL REVISION:
 DRWN: MDHARMANTI 2022/04/05
 APPR: RSILLER 2022/04/08

DOCUMENT NUMBER: 1200905076

DOC TYPE: PSD

DOC PART: 000

REVISION: A

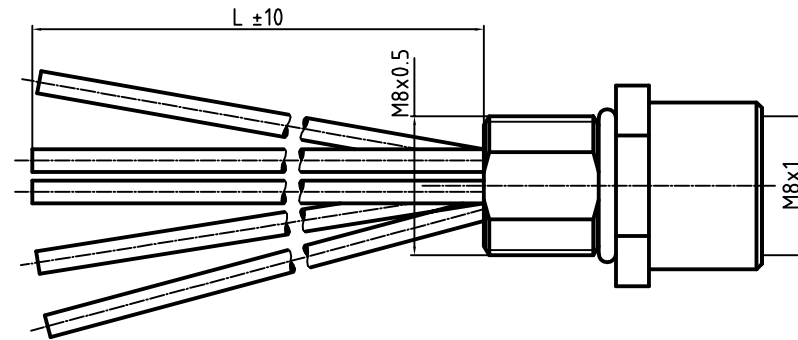
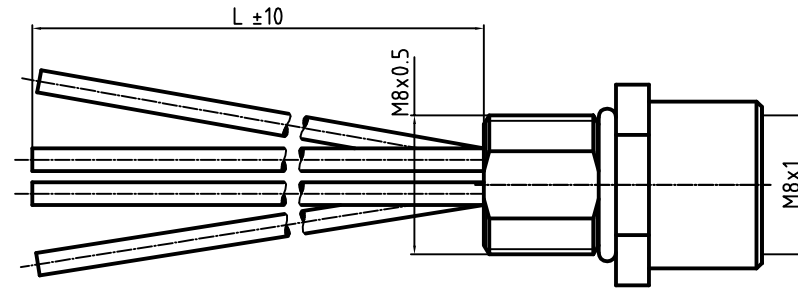
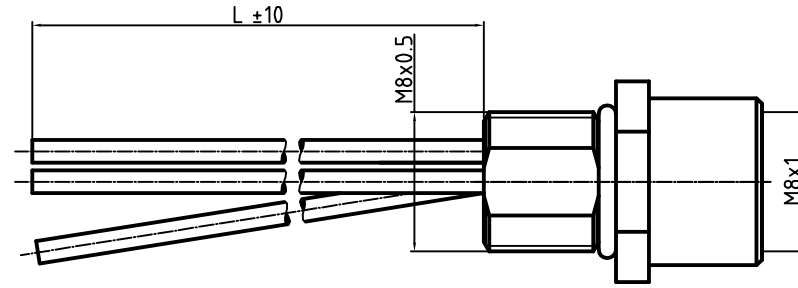
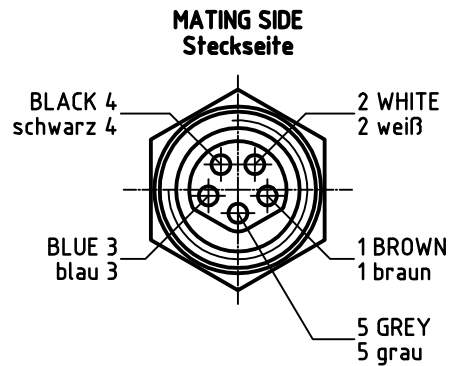
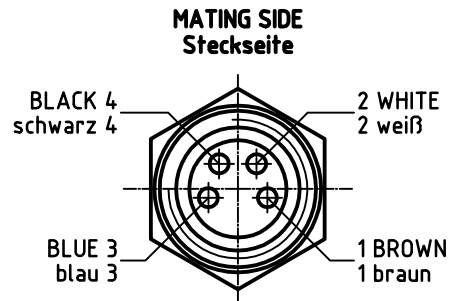
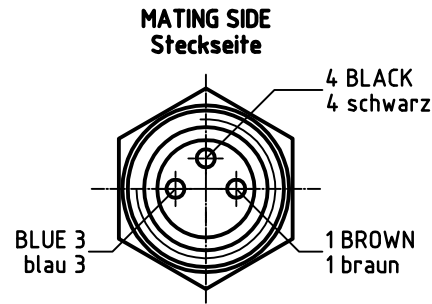
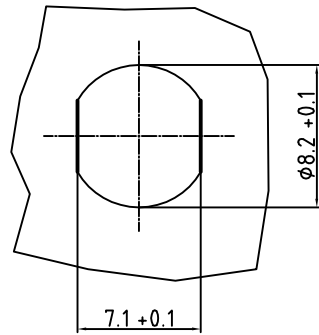
molex

REC M8 5P BC FE STR PVC M8 FM WIR UNSH

PRODUCT CUSTOMER DRAWING

CURRENT REV DESC: MIGRATED AND REVISED

MOUNTING HOLE
Montageausschnitt



NOTES / Bemerkung:

1	CRIMP CONTACT Crimp Kontakt	WN-00003
2	CABLE LENGTH TOLERANCE Kabellängentoleranz	WN-00004
3	POTTING Verguss	ES-120000-019
4	PACKAGING FOR RECEPTACLE Verpackung für Gerätestecker	PK-120000-018
5	PIN-ASSIGNMENT Pin-Belegung	IEC 61076-2-104
6	WINDING SPECIFICATION Wickelvorschrift	ES-120000-020

SAP-NUMBER SAP-Nummer	OLD MATERIAL-NO. alte Artikel-Nr.	LENGTH Länge	REPLACED Ersatz für
1200905071	4R3F30E02C200	0.2 M	0908 031GF 09000
1200905102	4R3F30E02C500	0.5 M	0908 031GF 09003
1200905076	4R4F30E02C200	0.2 M	0908 041GF 09000
1200905106	4R5F30E02C200	0.2 M	0908 051GF 09000

DESCRIPTION EC NO.: WEU2009-0457 DRWN: BBRAUCH CH'KD: --- APPR: JKOLB	6/19/09 2009/09/15	QUALITY SYMBOLS = 0 = 0
---	-----------------------	----------------------------------

GENERAL TOLERANCES (UNLESS SPECIFIED)	DIMENSION STYLE	
	mm	INCH
4 PLACES	±---	±---
3 PLACES	±---	±---
2 PLACES	±0.05	±---
1 PLACE	±0.1	±---
ANGULAR ± ---- °		
DRAFT WHERE APPLICABLE MUST REMAIN WITHIN DIMENSIONS		

DIMENSION STYLE MM	
DRAWN BY BB	DATE 2009/06/19
CHECKED BY JKO	DATE 2009/08/05
APPROVED BY FP	DATE 2009/08/05
MATERIAL NO. see table	
SIZE A3	THIS DRAWING CONTAINS INFORMATION THAT IS PROPRIETARY TO MOLEX INCORPORATED AND SHOULD NOT BE USED WITHOUT WRITTEN PERMISSION

SCALE 2:1	DESIGN UNITS METRIC	FIRST ANGLE PROJECTION
M8 FEMALE RECEPTACLES-XM M8 GERAETEBUCHSE-XM		
MOLEX INCORPORATED		
DOCUMENT NO. SD-120090-002	SHEET NO. 1 OF 1	