

CES-SRG-BK-11 - Cable sleeve



0801618

<https://www.phoenixcontact.com/us/products/0801618>

Please be informed that the data shown in this PDF document is generated from our online catalog. Please find the complete data in the user documentation. Our general terms of use for downloads are valid.



Cable sleeve, small, no. of conductors: 1, type: Round cable, slotted, external cable diameter: 1x 10 mm ... 11 mm, material: NBR, color: black, length: 29.5 mm, width: 19.5 mm, height: 17 mm

Product description

Slotted cable sleeve

Commercial data

Item number	0801618
Packing unit	1 pc
Minimum order quantity	10 pc
Sales key	BF67
Product key	BF7CCX
Catalog page	Page 678 (C-2-2019)
GTIN	4046356674706
Weight per piece (including packing)	7.28 g
Weight per piece (excluding packing)	7 g
Customs tariff number	40169997
Country of origin	TW

CES-SRG-BK-11 - Cable sleeve

0801618

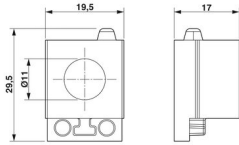
<https://www.phoenixcontact.com/us/products/0801618>

Technical data

Product properties

Product type	Cable sleeve
No. of conductors	1

Dimensions

Dimensional drawing	
Width	19.5 mm
Height	17 mm
Length	29.5 mm

Material specifications

Material	NBR
----------	-----

Cable/line

External cable diameter ()	1x 10 mm ... 11 mm
-----------------------------	--------------------

Characteristics

Seal size	small
Design, Format	Round cable
Design, Cable seal	slotted

Environmental and real-life conditions

Ambient conditions

Degree of protection	IP54
Ambient temperature (operation)	-40 °C ... 125 °C (static)

CES-SRG-BK-11 - Cable sleeve

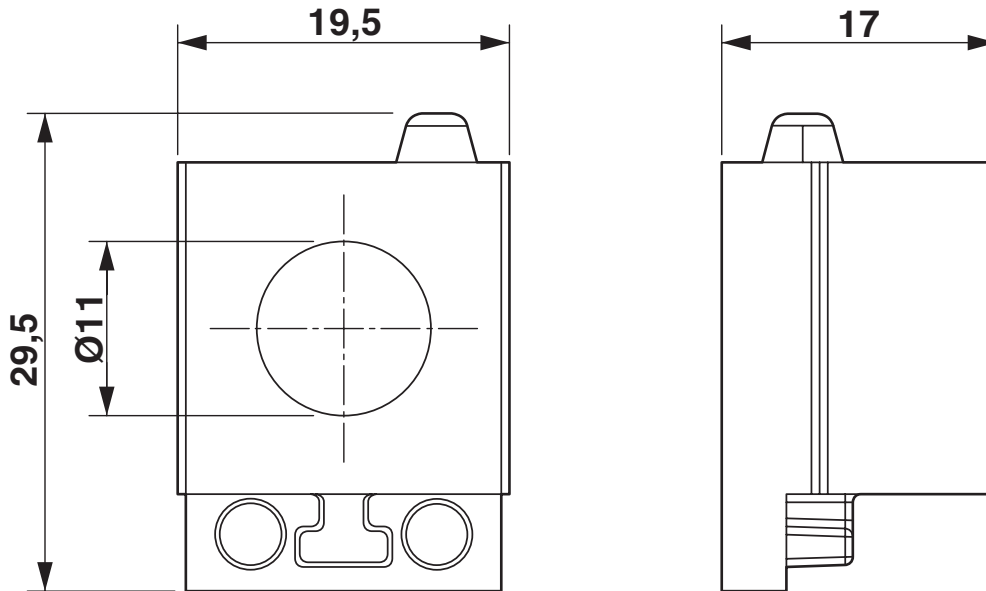
0801618

<https://www.phoenixcontact.com/us/products/0801618>



Drawings

Dimensional drawing



Dimensional drawing

CES-SRG-BK-11 - Cable sleeve



0801618

<https://www.phoenixcontact.com/us/products/0801618>

Approvals

🔗 To download certificates, visit the product detail page: <https://www.phoenixcontact.com/us/products/0801618>

DNV

Approval ID: TAE00003VJ

CES-SRG-BK-11 - Cable sleeve



0801618

<https://www.phoenixcontact.com/us/products/0801618>

Classifications

ECLASS

ECLASS-11.0	27144425
ECLASS-12.0	27144425
ECLASS-13.0	27144425

ETIM

ETIM 8.0	EC000451
----------	----------

UNSPSC

UNSPSC 21.0	39121400
-------------	----------

CES-SRG-BK-11 - Cable sleeve



0801618

<https://www.phoenixcontact.com/us/products/0801618>

Environmental product compliance

China RoHS	Environmentally friendly use period: unlimited = EFUP-e
	No hazardous substances above threshold values

CES-SRG-BK-11 - Cable sleeve

0801618

<https://www.phoenixcontact.com/us/products/0801618>



Accessories

KDT-ST 11 - Filler plugs

3064001

<https://www.phoenixcontact.com/us/products/3064001>



Filler plugs, material: PA, length: 20 mm, diameter: 11 mm

CES-B10-HFFS-PLBK - Sealing frame

0801663

<https://www.phoenixcontact.com/us/products/0801663>



Sealing frame, With locking latch, design: B10, Number of cable seals (small): 6, material: PA (halogen-free), color: black, length: 99.2 mm, width: 58 mm, height: 20 mm

CES-SRG-BK-11 - Cable sleeve

0801618

<https://www.phoenixcontact.com/us/products/0801618>



CES-B16-HFFS-PLBK - Sealing frame

0801662

<https://www.phoenixcontact.com/us/products/0801662>



Sealing frame, With locking latch, design: B16, Number of cable seals (small): 8, material: PA (halogen-free), color: black, length: 120 mm, width: 58 mm, height: 20 mm

CES-B24-HFFS-PLBK - Sealing frame

0801661

<https://www.phoenixcontact.com/us/products/0801661>



Sealing frame, With locking latch, design: B24, Number of cable seals (small): 10, material: PA (halogen-free), color: black, length: 147 mm, width: 58 mm, height: 20 mm

CES-SRG-BK-11 - Cable sleeve

0801618

<https://www.phoenixcontact.com/us/products/0801618>



CES-B10-SFFS-PLBK - Sealing frame

0801660

<https://www.phoenixcontact.com/us/products/0801660>



Sealing frame, with screw locking, design: B10, Number of cable seals (small): 6, material: PA (halogen-free), color: black, length: 99.2 mm, width: 58 mm, height: 20 mm

CES-B16-SFFS-PLBK - Sealing frame

0801659

<https://www.phoenixcontact.com/us/products/0801659>



Sealing frame, with screw locking, design: B16, Number of cable seals (small): 8, material: PA (halogen-free), color: black, length: 120 mm, width: 58 mm, height: 20 mm

CES-SRG-BK-11 - Cable sleeve

0801618

<https://www.phoenixcontact.com/us/products/0801618>



CES-B24-SFFS-PLBK - Sealing frame

0801658

<https://www.phoenixcontact.com/us/products/0801658>



Sealing frame, with screw locking, design: B24, Number of cable seals (small): 10, material: PA (halogen-free), color: black, length: 147 mm, width: 58 mm, height: 20 mm

Phoenix Contact 2023 © - all rights reserved

<https://www.phoenixcontact.com>

Phoenix Contact USA
586 Fulling Mill Road
Middletown, PA 17057, United States
(+717) 944-1300
info@phoenixcon.com