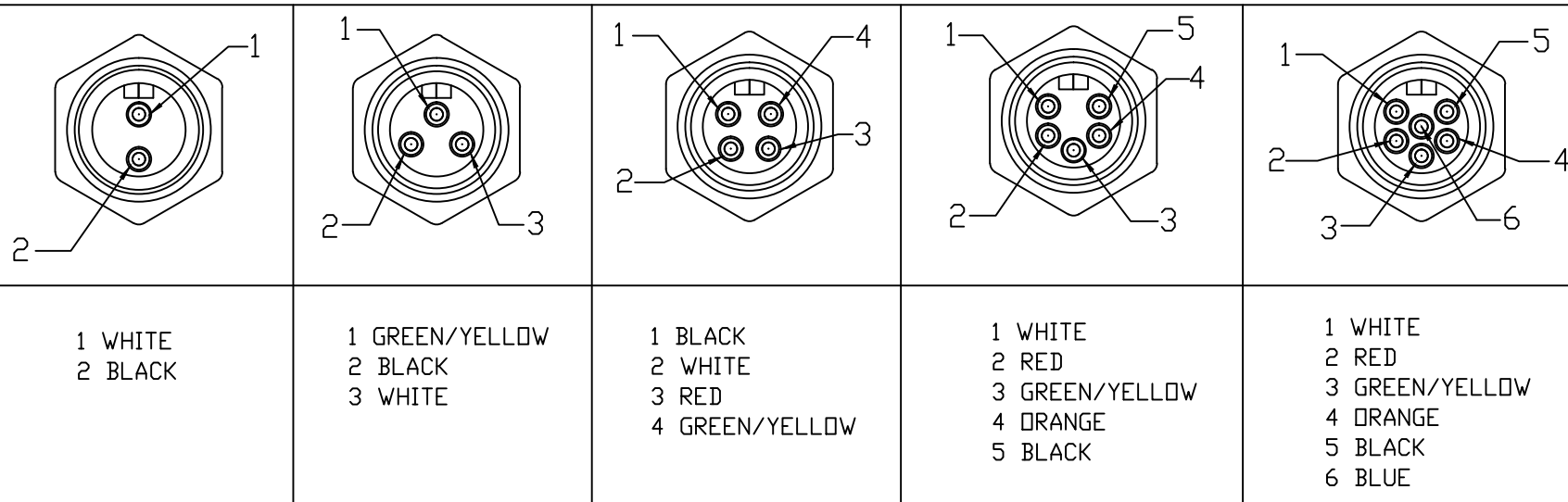


# FACE VIEW - MALE INSERT



## ENGINEERING NUMBER LEGEND

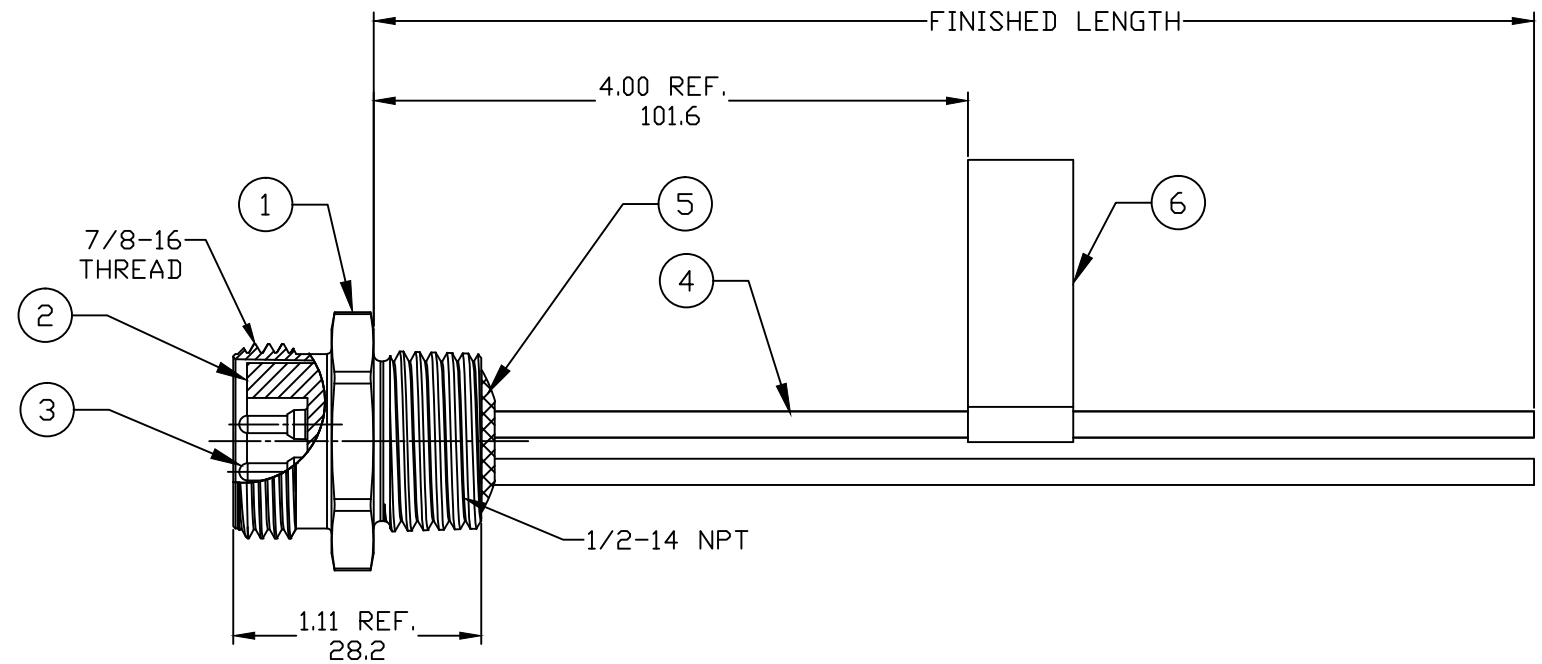
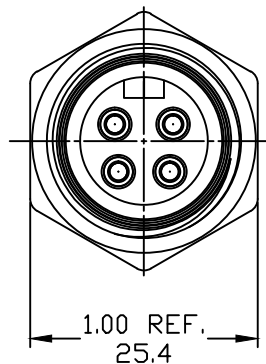
1RX006A20AXXX

WIRE TYPE  
16 AWG PVC

FINISHED LENGTH  
A120=12 INCHES  
F060= 6 FEET

METRIC  
M005= 0.5 METER  
M010= 1 METER  
M100= 10 METER

- NOTES:**
- MATERIAL: AS NOTED
  - FINISH: AS NOTED
  - ELECTRICAL:  
 VOLTAGE: 2 THRU 6P 600V PER UL 2238 (B)  
 3P 400V PER IEC 60664  
 4,5 & 6P 320V PER IEC 60664  
 CURRENT: 2 & 3 POLE: 13A  
 4 POLE: 10A  
 5 & 6 POLE: 8A
  - TEMP RATING: -20°TO +105°C
  - PROTECTION: IP67 (WHEN MATED)



6	LABEL	VINYL	BLACK/YELLOW
5	POTTING	EPOXY	
4	WIRE, 16 AWG, UL 1015	PVC INSUL.	SEE FACE VIEW
3	CONTACT PIN	Cu ALLOY	GOLD PLATED
2	INSERT	PVC	YELLOW
1	RECEPTACLE SHELL	ZINC DIE-CAST	BLACK E-COAT
ITEM	COMPONENT	MATERIAL	FINISH

REVD ELECTRICAL SPECS EC NO: IPG2017-0392 DRWN: RSTONE 10/18/16 CHKD: K COX 2016/10/27 APPR: BWOODMAN 2016/08/19	QUALITY SYMBOLS	GENERAL TOLERANCES (UNLESS SPECIFIED)	DIMENSION STYLE	SCALE	DESIGN UNITS	THIRD ANGLE PROJECTION
	$\nabla=0$ $\nabla C=0$	mm INCH 4 PLACES ±--- ±--- 3 PLACES ±--- ±--- 2 PLACES ±--- ±.01 1 PLACE ±0.3 ±--- ANGULAR ±1°	IN/MM	---	INCH	
	REV	DRAFT WHERE APPLICABLE MUST REMAIN WITHIN DIMENSIONS	DRAWN BY DATE	TITLE		
	B		RSTONE 2016/08/01	MINI CHANGE RECEPTACLE MALE 2 TO 6P 16 AWG		
		CHECKED BY DATE	MOLEX INCORPORATED			
		MATERIAL NO.	SD-130013-120			
		APPROVED BY DATE	SHEET NO. 1 OF 1			
		TWOLDEGE 2016/08/19	THIS DRAWING CONTAINS INFORMATION THAT IS PROPRIETARY TO MOLEX INCORPORATED AND SHOULD NOT BE USED WITHOUT WRITTEN PERMISSION			