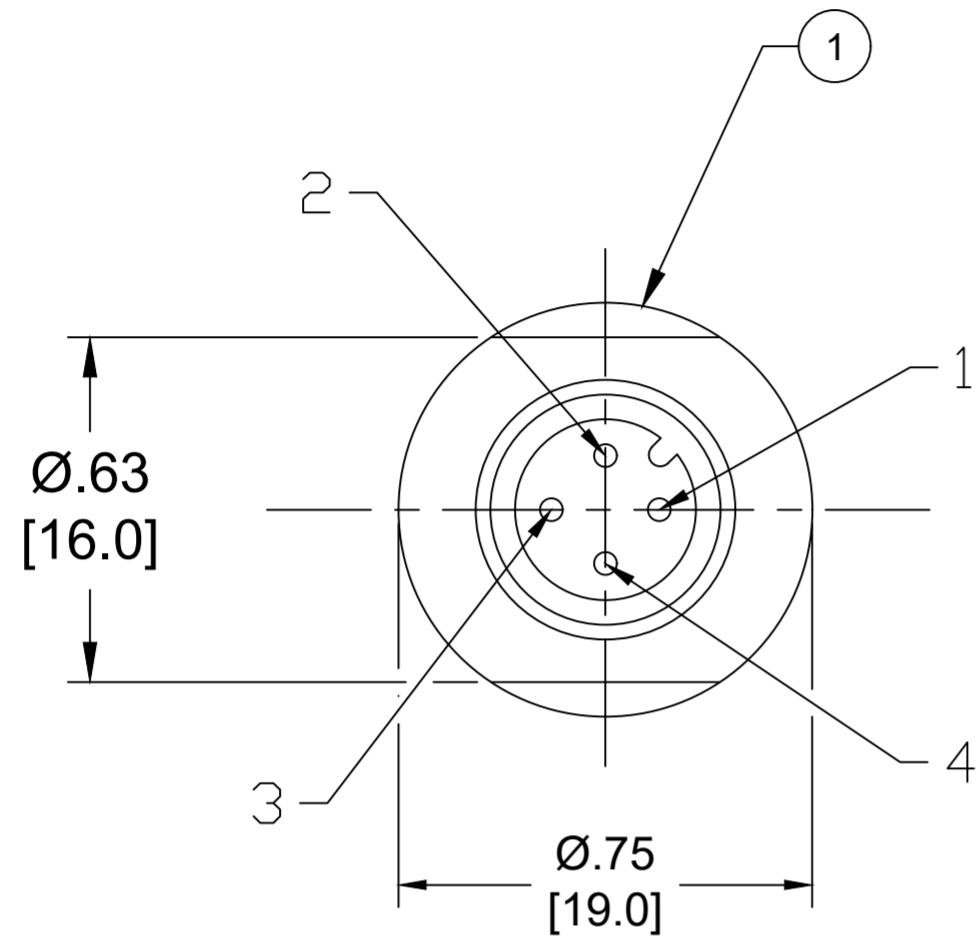
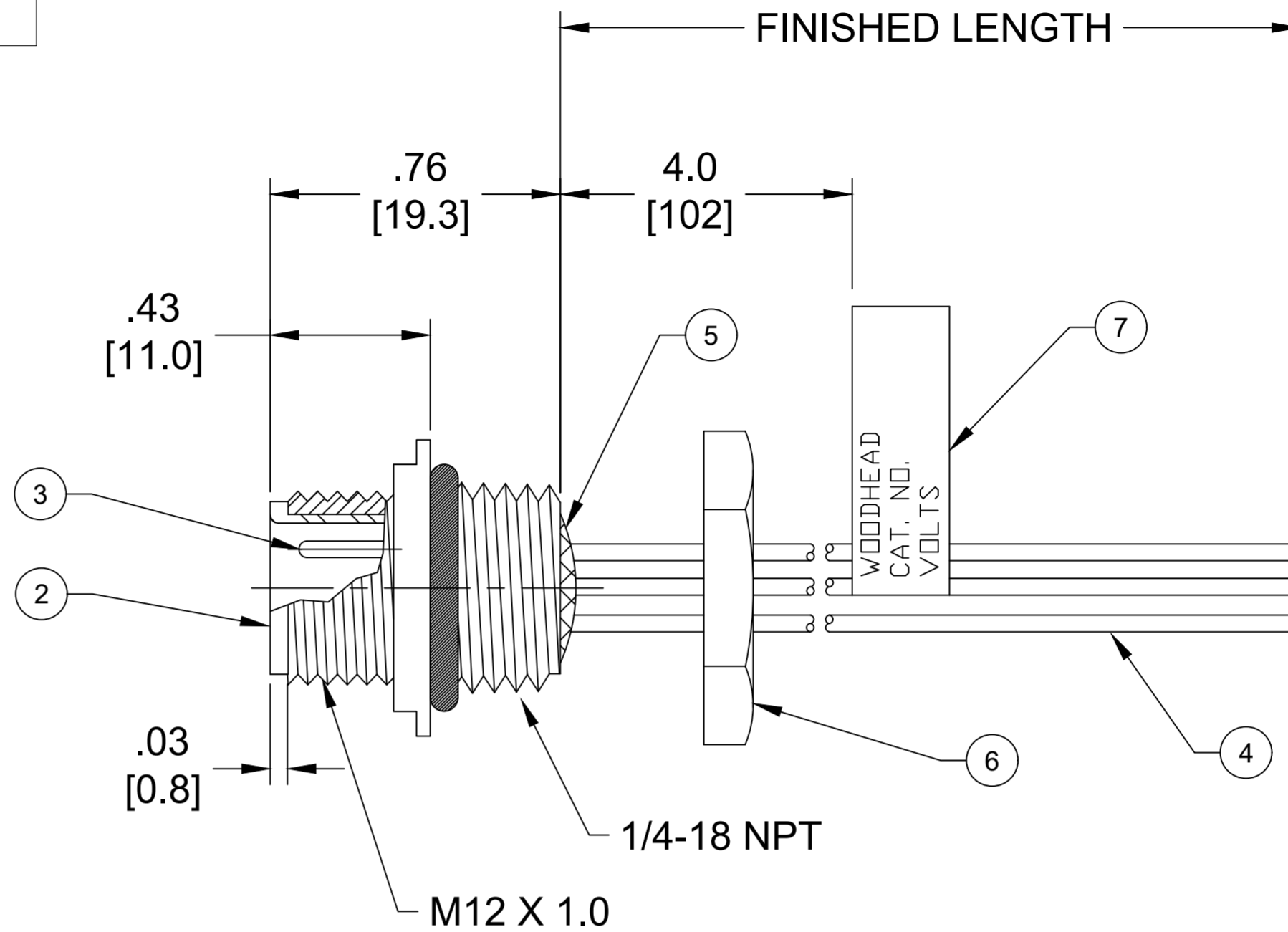


MATERIAL NUMBER	OLD PART NUMBER	FINISHED LENGTH
1200700385	8R4A06A18A120	1.0 FT. [0.3M]
1200700548	8R4A06A18M005	1.8 FT. [0.5M]



MALE FACE VIEW



WIRING DIAGRAM

PART NUMBER LEGEND

8R4A06A18A120

FINISHED LENGTH
 A120 12 INCHES
 M005 0.5 METER
 M010 1.0 METER
 M100 10.0 METERS

- NOTES:
- MATERIAL: AS NOTED
 - FINISH: AS NOTED
 - ELECTRICAL:
VOLTAGE: 250V
CURRENT: 4A
 - TEMP RATING: -20°C TO +80°C
 - PROTECTION: IP67 (WHEN MATED)
 - UL LISTED FILE: E152210
CSA CERTIFIED FILE: LR6837
 - ALL DIMS ARE FOR REFERENCE UNLESS TOLERANCED OR NOTED OTHERWISE

1	BROWN
2	WHITE
3	BLUE
4	BLACK

ITEM	DESCRIPTION	MATERIAL	FINISH
7	FLAG LABEL	VINYL	BLACK/YELLOW
6	PANEL NUT	STEEL	ZINC PLATED
5	POTTING MATERIAL	EPOXY	
4	WIRE (UL1061)	PVC INSULATION	SEE FACE VIEW
3	CONTACT SOCKET	COPPER ALLOY	GOLD PLATED
2	MALE INSERT	NYLON	BLACK
1	RECEPTACLE SHELL	ALUMINUM	BLACK ANADIZED

FUNCTIONAL SYMBOLS FA=0 FC=0 FP=0	DIMENSION UNITS		SCALE	CURRENT REV DESC: UPDATE DOC PER LATEST DOC STD, CORRECT P/N LEGEND, ADD BOM TABLE	
	INCH/MM		1:1		
	GENERAL TOLERANCES (UNLESS SPECIFIED)				
		mm	INCH		
DIVISIONAL SYMBOLS	4 PLACES	±----	±----	EC NO: 648629	
	3 PLACES	±----	±----	DRWN: RSTONE	2020/11/05
	2 PLACES	±----	±----	CHK'D: ALEON01	2020/11/10
	1 PLACE	±----	±----	APPR: BWOODMAN	2020/11/12
	0 PLACES	±----	±----	INITIAL REVISION:	
	ANGULAR TOL ± ---- °			DRWN: GGUSTAFS	2013/11/21
	DRAFT WHERE APPLICABLE MUST REMAIN WITHIN DIMENSIONS			APPR: BWOODMAN	2013/12/02
	THIRD ANGLE PROJECTION	DRAWING	SERIES	MATERIAL NUMBER	CUSTOMER
		C-SIZE	120070		GENERAL MARKET

molex

MICRO CHANGE RECEPTACLE
 4 POLE MALE, SINGLE KEY #22 AWG, PVC, 1/4 NPT

PRODUCT CUSTOMER DRAWING

DOCUMENT NUMBER: SD-120070-052
 DOC TYPE/DOC PART/REVISION: PSD 001 B

SHEET NUMBER: 1 OF 1