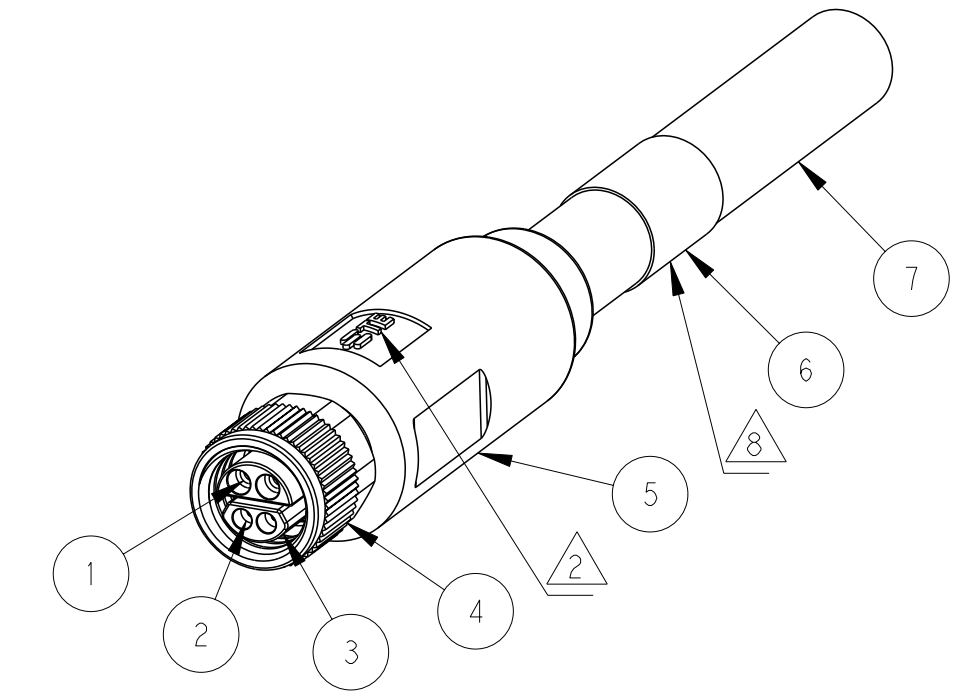
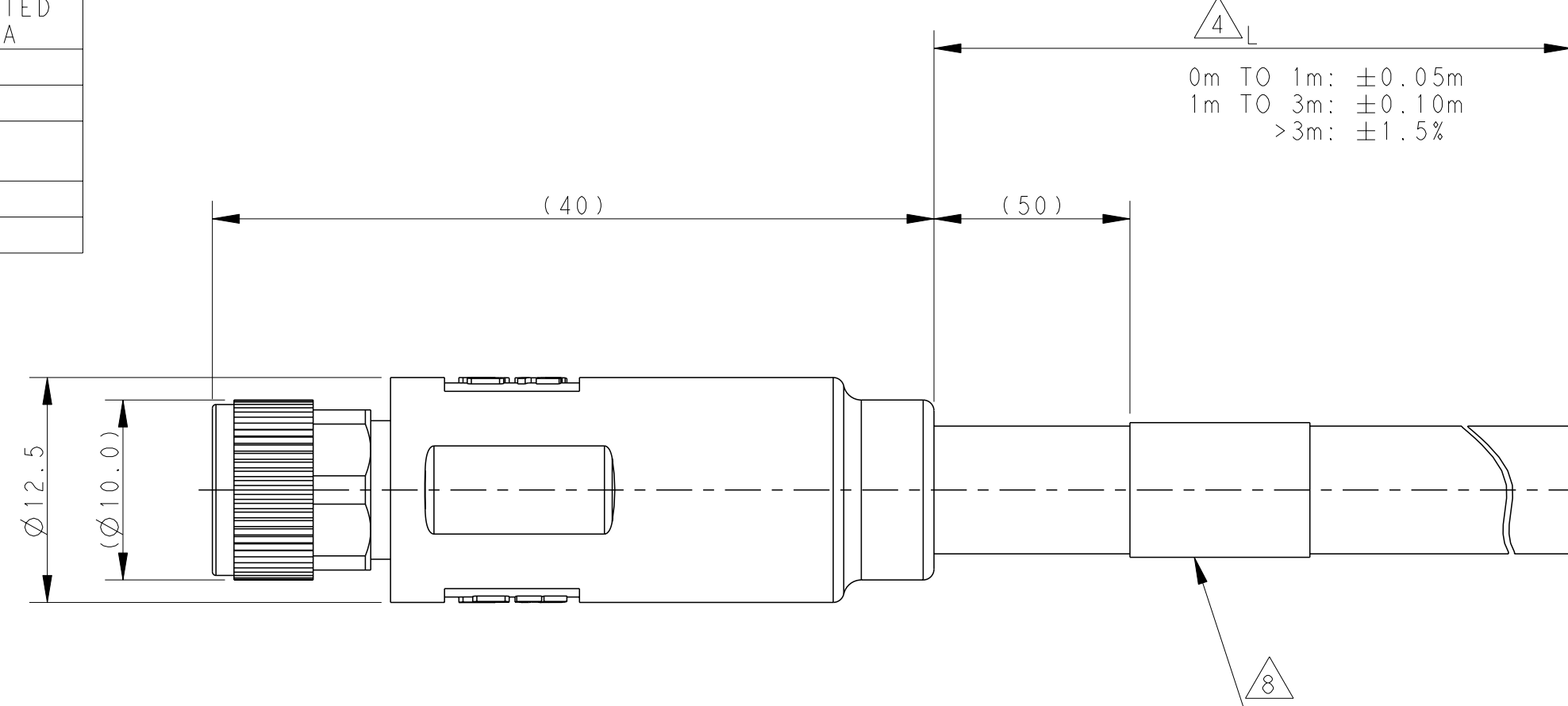
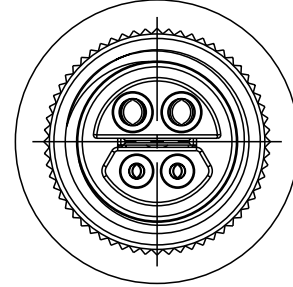


© 2021 TE Connectivity. All Rights Reserved.

ITEM	DESCRIPTION	MATERIAL	COMMENTS
1	FEMALE POWER PIN	COPPER ALLOY	30U'' GOLD PLATED TO CONTACT AREA
2	FEMALE SIGNAL PIN	COPPER ALLOY	30U'' GOLD PLATED TO CONTACT AREA
3	PLASTIC INSERT	PA	BLACK
4	FEMALE NUT	BRASS	NICKEL PLATED
5	OVER-MOLDING HANDLE	POLYAMIDE	BLACK
6	LABEL	-	-
7	SPE 4 WIRES CABLE	PUR JACKET	BLACK

REVISIONS				
P	LTR	DESCRIPTION	DATE	APVD
	A	INITIAL RELEASE	09DEC2021	HH CW



SCALE 2:1

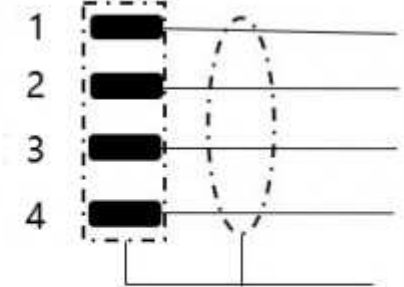
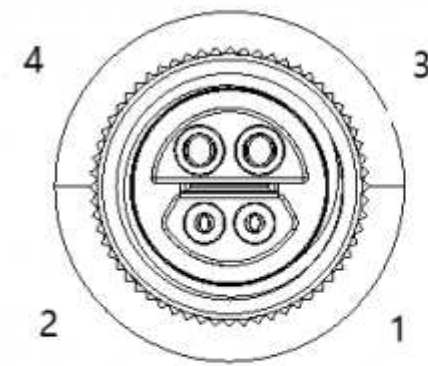
TABLE 1

TECHNICAL DATA	TB1143D4722-XXX
VOLTAGE PROOF	1000VDC(ADJACENT CONTACT) 2250VDC(CONTACT TO SHIELDED)
RATED VOLTAGE	60VDC
RATED CURRENT	8A(POWER CONTACT) 4A(SIGNAL CONTACT)
OVERVOLTAGE CATEGORY	II
MATERIAL GROUP	I
DEGREE OF PROTECTION	IP67
TEMPERATURE RATING	-40°C~85°C

- NOTES:
1. TECHNICAL DATA: SEE TABLE 1
 2. LOGO AREA.
 3. RECOMMENDED TORQUE:0.4Nm
 4. SEE TABLE REFER TO LENGTH "L".
 5. 100% OPEN AND SHORT CIRCUIT TEST
 6. CABLE ASSEMBLY TO BE PACKED TO POLYBAGS.
 7. PRODUCT COMPLIES WITH IEC 63171-6
 8. LABEL CONTAINS:PN AND DATE CODE
 9. PRODUCT COMPLIES WITH ROHS AND REACH.

PIN ARRANGEMENT

- 1-BLUE WIRE
- 2-WHITE WIRE
- 3-RED WIRE
- 4-BLACK WIRE



FEMALE SCALE: 4:1

CIRCUIT DIAGRAM

SPE HYBRID CABLE: WIRE: 2X22AWG+2X18AWG WIRE COLOR: BLUE/WHITE/BLACK/RED OD: APPROX. 7.1MM	TYPICAL LENGTH: -001: 0.5m -002: 1.0m -004: 3.0m -005: 5.0m -007: 10.0m -150: 15.0m -400: 40.0m	BLACK	PUR	SPE M8 HYBRID CABEL ASSEMBLY FEMALE, STRAIGHT, SINGLE END	4	TB1143D4722-XXX
CABLE CHARACTERISTIC	LENGTH "L" ⁴	JACKET COLOR	JACKET MATERIAL	DESCRIPTION	POS.	PART NUMBER

THIS DRAWING IS A CONTROLLED DOCUMENT.

DWN	HE HART	23SEP2020
CHK	WANG CHRIS	23SEP2020
APVD	WANG CHRIS	23SEP2020
PRODUCT SPEC	108-137521	
APPLICATION SPEC	114-137144-1	
WEIGHT	-	
CUSTOMER DRAWING	SCALE 3:1	SHEET 1 OF 1

NAME: SPE M8 HYBRID CABLE ASSEMBLY FEMALE, STRAIGHT, SINGLE END

SIZE: A2 CAGE CODE: 00779 DRAWING NO: TB1143D4722XXX RESTRICTED TO: A

Printed on 9 Dec 2021 17:38 (China Standard Time) from TE342765