

2-2205133-6 ✓ ACTIVE

TE Internal #: 2-2205133-6

RJ45 to INDUSTRIAL MINI I/O Cable Assembly, 8 Positions, 32.8 ft [10 m], 1 Gb/s, Black Cable, Equalized, Shielded, 26 AWG, .129 mm², Twisted Pair

[View on TE.com >](#)



Cable Assemblies > Copper Cable Assemblies > Pluggable I/O Cable Assemblies



Cable Assembly Type: **RJ45 to INDUSTRIAL MINI I/O**

Equalized: **Yes**

Wire Size: **.129 mm²**

Outside Cable Diameter: **6.2 mm [.244 in]**

Features

Product Type Features

Latching Style	Slide Latch
Cable Assembly Category	Industry Standard
Cable Assembly Type	RJ45 to INDUSTRIAL MINI I/O
Connector Type (End A)	RJ45 Plug
Connector Type (End B)	INDUSTRIAL MINI I/O Plug
Cable Style	Twisted Pair

Configuration Features

Number of Positions	8
Number of Signal Positions	8

Electrical Characteristics

Impedance	100 Ω
-----------	-------

Signal Characteristics

Data Rate	1 Gb/s
-----------	--------

Body Features

Shield Material	Copper Alloy
Jacket Material	PUR
Equalized	Yes
Cable Color	Black



Cable Flammability Rating	UL 444
---------------------------	--------

Contact Features

Contact Mating Area Plating Material Thickness	19.68 μm[.5 μin]
Contact Mating Area Plating Material	Gold

Housing Features

Housing Material	Thermoplastic
------------------	---------------

Dimensions

Wire Size	.129 mm ²
Outside Cable Diameter	6.2 mm[.244 in]

Operation/Application

Shielded	Yes
Halogen Free	Yes

Industry Standards

Performance Category	Cat 5e
----------------------	--------

Other

Cable Assembly Configuration	Double Ended
Cable Assembly Length	10 m[32.8 ft]

Product Compliance

[For compliance documentation, visit the product page on TE.com>](#)

EU RoHS Directive 2011/65/EU	Compliant
EU ELV Directive 2000/53/EC	Compliant
China RoHS 2 Directive MIIT Order No 32, 2016	No Restricted Materials Above Threshold
EU REACH Regulation (EC) No. 1907/2006	Current ECHA Candidate List: JUNE 2023 (235) Candidate List Declared Against: JAN 2021 (211) Does not contain REACH SVHC
Halogen Content	Not Low Halogen - contains Br or Cl > 900 ppm.
Solder Process Capability	Not applicable for solder process capability

Product Compliance Disclaimer

This information is provided based on reasonable inquiry of our suppliers and represents our current actual knowledge based on the information they provided. This information is subject to change. The part numbers that TE has identified as



EU RoHS compliant have a maximum concentration of 0.1% by weight in homogenous materials for lead, hexavalent chromium, mercury, PBB, PBDE, DBP, BBP, DEHP, DIBP, and 0.01% for cadmium, or qualify for an exemption to these limits as defined in the Annexes of Directive 2011/65/EU (RoHS2). Finished electrical and electronic equipment products will be CE marked as required by Directive 2011/65/EU. Components may not be CE marked. Additionally, the part numbers that TE has identified as EU ELV compliant have a maximum concentration of 0.1% by weight in homogenous materials for lead, hexavalent chromium, and mercury, and 0.01% for cadmium, or qualify for an exemption to these limits as defined in the Annexes of Directive 2000/53/EC (ELV). Regarding the REACH Regulation, the information TE provides on SVHC in articles for this part number is based on the latest European Chemicals Agency (ECHA) 'Guidance on requirements for substances in articles' posted at this URL: <https://echa.europa.eu/guidance-documents/guidance-on-reach>

Compatible Parts



TE Part # CAT-IN291-M6641
Mini I/O Cable Conn. Piercing D1



TE Part # 2201864-1
MINI I/O REC KIT TYPE I L



TE Part # 1903527-1
IE RJ45 CONNECTOR IP20 8POS 180DEG

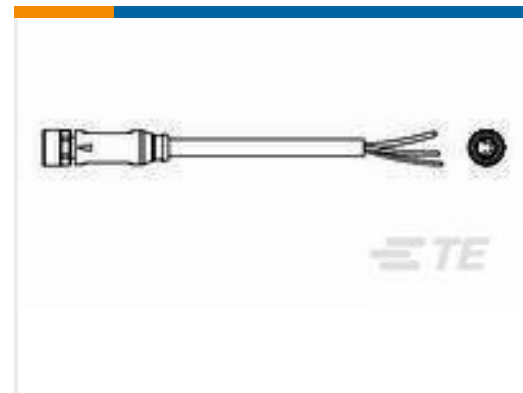


TE Part # 2229737-2
MINI I/O PIERCING TYPE HAND TOOL 180DEG

Customers Also Bought



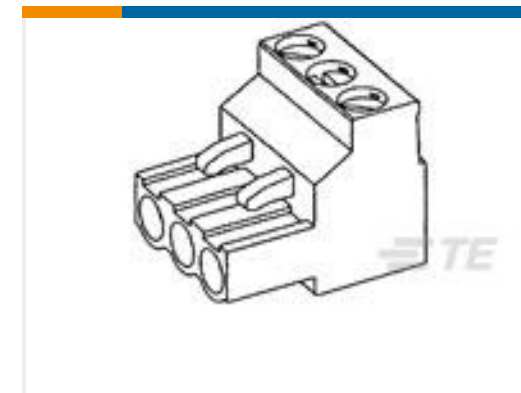
TE Part #1-2201855-1
MINI I/O PLUG KIT TYPE II L



TE Part #2273003-1
M8 x 1.0 straight socket Pigtail



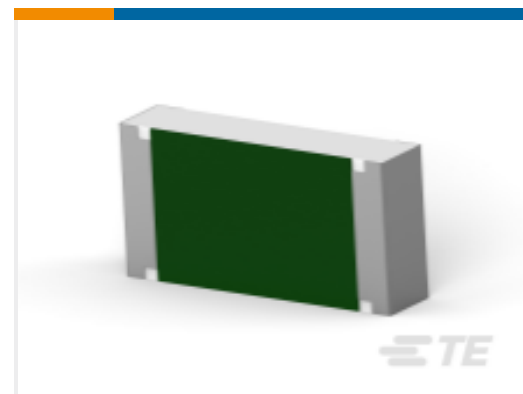
TE Part #2-2205133-3
CA MINI IO TYPE I IND RJ45



TE Part #1-796634-2
12 POS 5.08MM R/A PLUG, TRM BLK



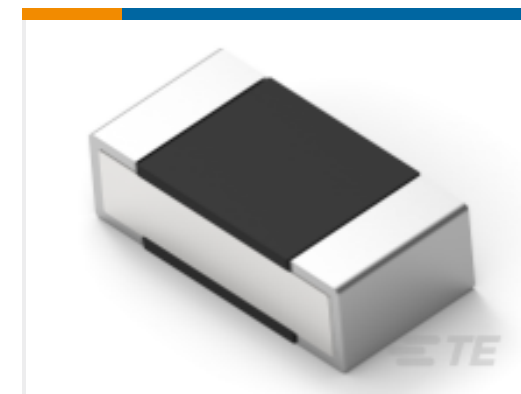
TE Part #2-2205133-1
CA MINI IO TYPE I IND RJ45



TE Part #5-2176397-5
3502 180R 1%



TE Part #1-2176330-6
CRGP 2010 180R 1%



TE Part #2176304-6
RP 1E 0.1W 11R3 0.1% 25PPM 5K RL



TE Part #364485-E
SRCP 1,27 4 F 1 SMD 137 * 094 *
GURT RLV



Documents

Product Drawings

[CA MINI IO TYPE I IND RJ45](#)

English

Product Specifications

[Application Specification](#)

English